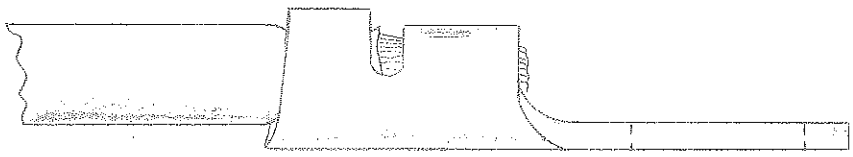
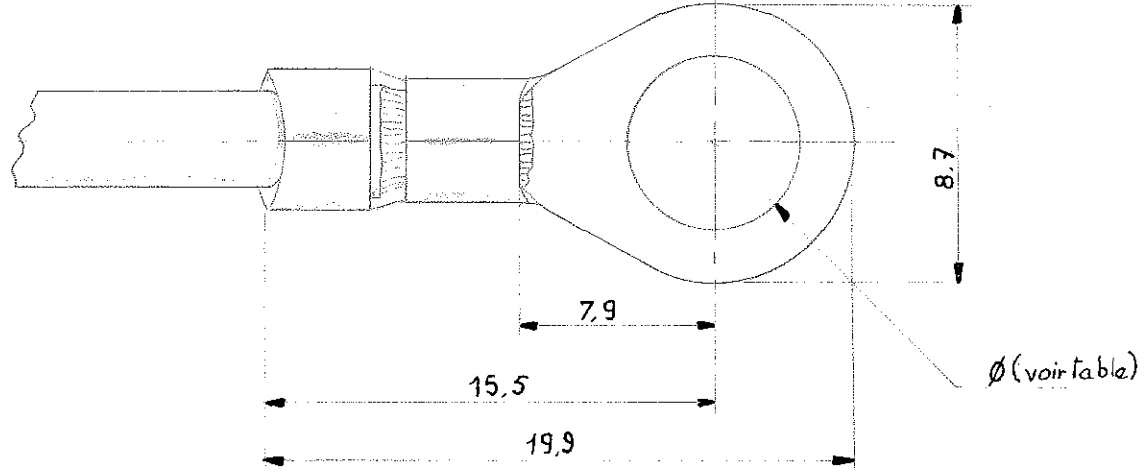


DIMENSIONS IN MM —DO NOT SCALE PRINT


NUMBER  
C-140527-32



2,5 à 3,5

A - LAITON  
A2 - LAITON ETAME

OBSOLETE	140854.2	A2	6,75
OBSOLETE	140854.1	A	6,75
OBSOLETE	140 546	A2	6,35
OBSOLETE	140 545	A	6,35
OBSOLETE	140 532	A2	5,2
OBSOLETE	140 531	A	5,2
OBSOLETE	140 530	A2	4,3
OBSOLETE	140 529	A	4,3
OBSOLETE	140 528	A2	3,1
OBSOLETE	140 527	A	3,1
	N <sup>os</sup>	MAT	"D"

<p><b>CUSTOMER PRINT FOR REFERENCE ONLY</b></p> <p>©1959 BY AMP INCORPORATED. ALL RIGHTS RESERVED. AMP PRODUCTS COVERED BY PATENTS AND/OR PATENTS PENDING.</p>	-9 -8 -7 -6 -5 -4 -3 -2 -1	DWG SIZE	NUMBER	NAME	REMARKS	ITEM NO.	
	REQUIRED PER ASSEMBLY		MATERIAL	HEAT TREAT	FINISH		
			Laiton epaisseur 0,6mm				
			 AMP DE FRANCE	DR. Raymond CHK. Courty	DATE 12-7-60 DATE 12-7-60	APP. APP.	DATE REL DATE FIRST USED
DESCRIPTION		SCALE	WIRE SIZE	mm <sup>2</sup>	NAME	REV	
		✓	18-14	MAX. 2 MIN. 0,8	RING TONGUE	C	

DIFF. 46