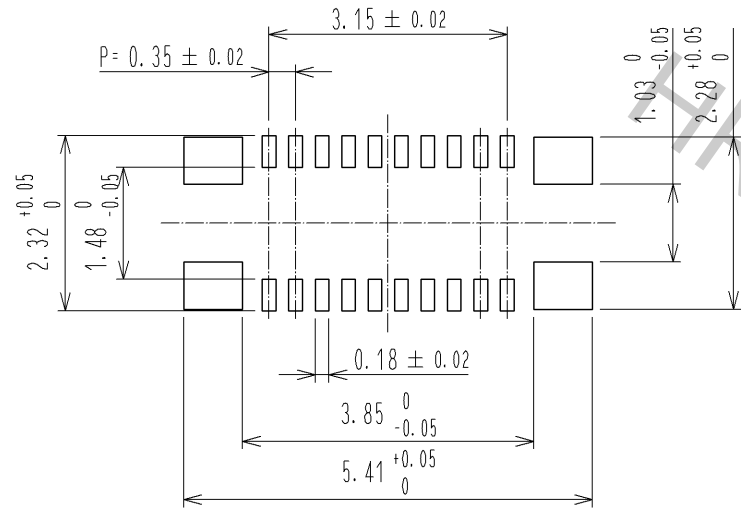


NOTE) 1 . ALL LEAD CO-PLANARITY SHALL BE 0.08mm MAX  
 2 CONTACT PLATING SPECIFICATIONS.  
 CONTACT AREA : GOLD 0.05 μm MIN  
 SMT LEAD : GOLD 0.05 μm MIN  
 UNDERPLATING : NICKEL 1 μm MIN  
 ( SURFACE : SEALING )  
 3 REINFORCED METAL FITTINGS LOCK  
 SMT LEAD : GOLD 0.05 μm MIN  
 UNDERPLATING : NICKEL 1 μm MIN  
 ( SURFACE : SEALING )  
 4 CAV NO. AND HRS MARK MAY BE INDICATED IN APPROX POSITION SHOWN.

4	PS	CLEAR (ENBOSSED CARRIER TAPE)	7	PS	CLEAR (REINFORCEMENT COLLAR)
3	PHOSPHOR BRONZE	3	6	PS	BLACK (PLASTIC REEL)
2	PHOSPHOR BRONZE	2	5	POLYESTER	CLEAR (COVER TAPE)
1	LCP	UL94 V-0, BLACK			
NO.	MATERIAL	FINISH . REMARKS	NO.	MATERIAL	FINISH . REMARKS

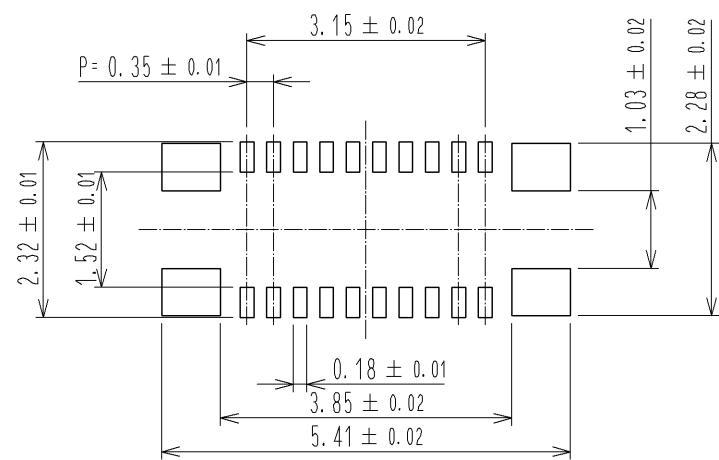
UNITS mm		SCALE 10 : 1	COUNT △	DESCRIPTION OF REVISIONS	DESIGNED	CHECKED	DATE
HIROSE ELECTRIC CO., LTD.				APPROVED : KH. IKEDA 13.12.13 CHECKED : YH. MICHIDA 13.12.12 DESIGNED : YK. KOBAYASHI 13.12.12 DRAWN : YK. KOBAYASHI 13.12.12	DRAWING NO. EDC3-355887-01 PART NO. BM15FR0.8-20DS-0.35V(51) CODE NO. CL673-1227-0-51		

◆ RECOMMENDED PCB LAYOUT

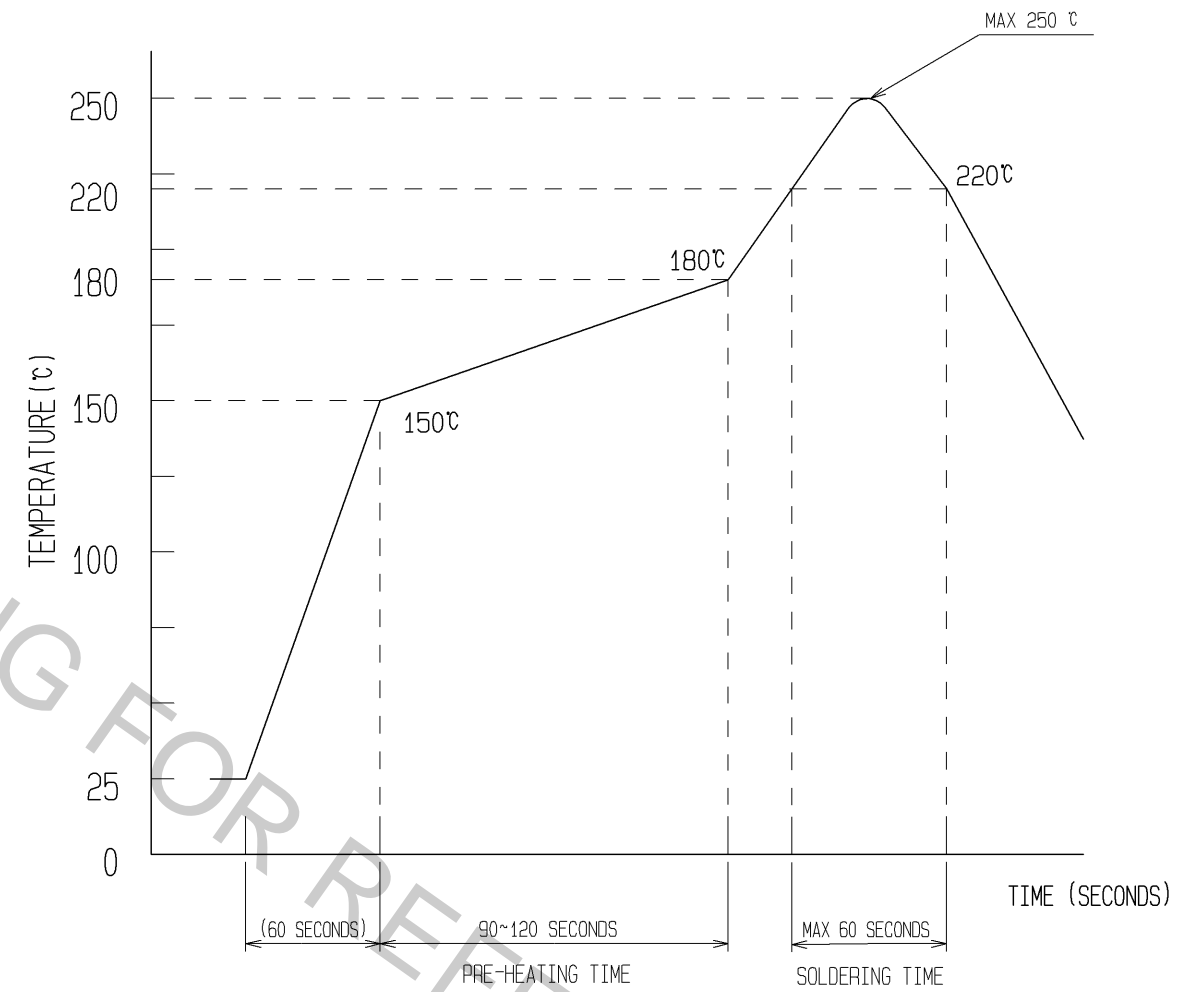


◆ RECOMMENDED METAL MASK DIMENSIONS

METAL MASK THICKNESS : 100 μm



⑤ RECOMMENDED REFLOW TEMPERATURE PROFILE USING LEAD-FREE SOLDER PASTE.

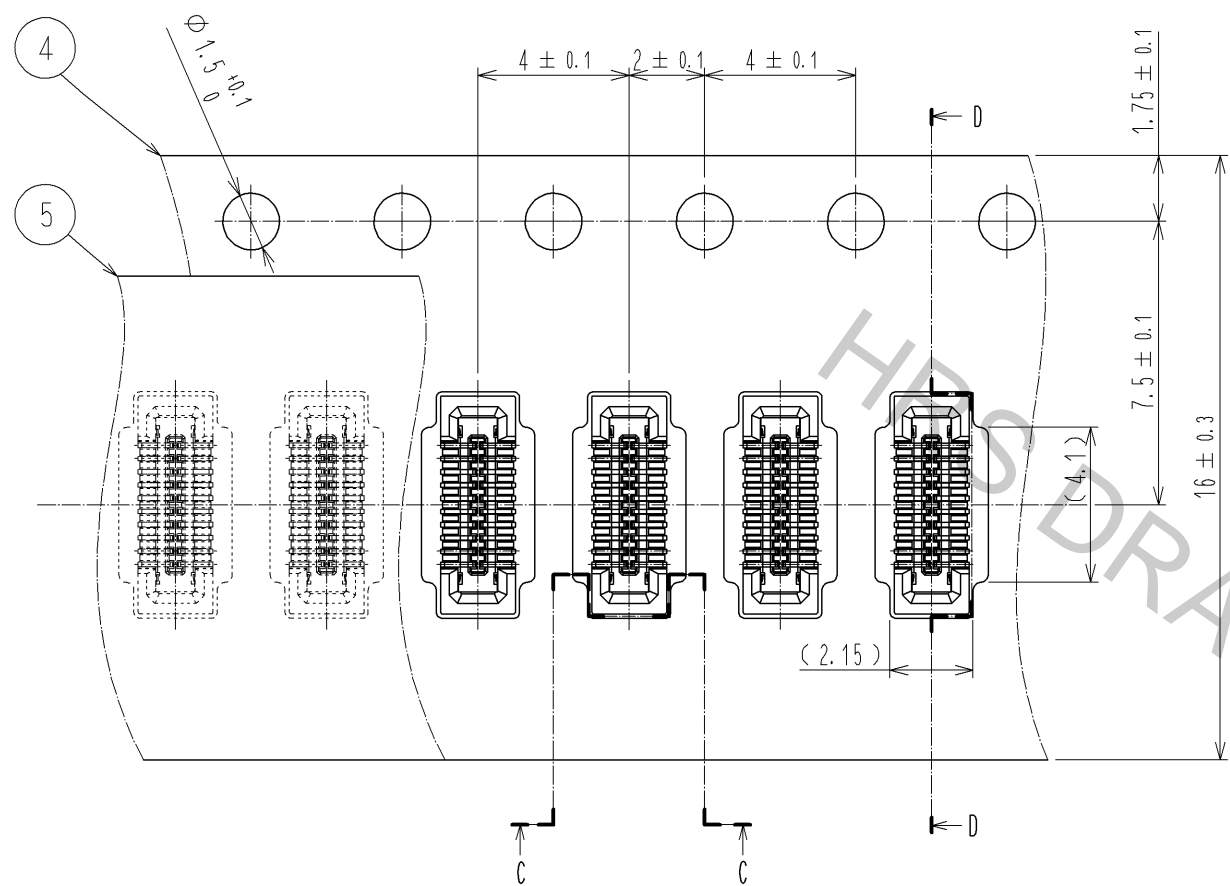


- REFLOW METHOD: IR REFLOW  
 NUMBER OF REFLOW CYCLES: 2 CYCLES MAX.  
 1) REFLOW TIME  
 DURATION ABOVE 220°C, 60 SEC. MAX.  
 (PEAK TEMPERATURE: 250°C MAX)  
 2) PRE-HEAT TIME  
 PRE-HEAT TEMPERATURE(MIN): 150°C  
 PRE-HEAT TEMPERATURE(MAX): 180°C  
 PRE-HEAT TIME: 90-120 sec.

⑤ THIS TEMPERATURE PROFILE IS PER THE CONDITIONS SHOWN ABOVE. ADDITIONAL FACTORS, SUCH AS SOLDER PASTE TYPE, PCB SIZE AND OTHER MOUNTED COMPONENTS COULD AFFECT THE PROFILE, THEREFORE, A THOROUGH EVALUATION OF MOUNTING CONDITION IS REQUIRED PRIOR TO PRODUCTION. TEMPERATURE IS MEASURED AT CONTACT LEAD.

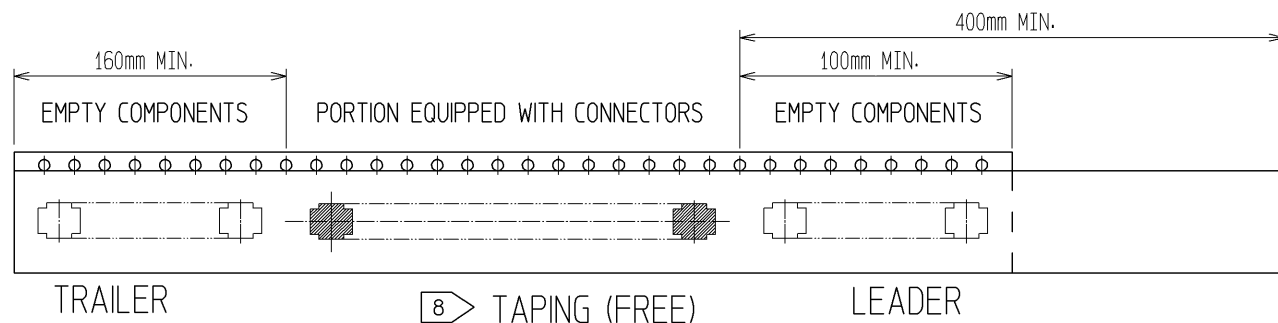
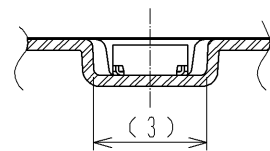
<b>HRS</b>	DRAWING NO.	EDC3-355887-01
	PART NO.	BM15FR0.8-20DS-0.35V<51>
	CODE NO.	CL673-1227-0-51

EMBOSED CARRIER TAPE PACKAGING (5:1)

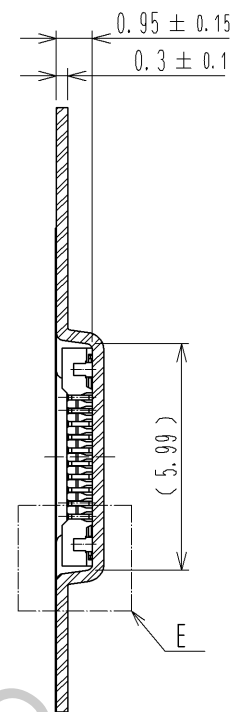


DIRECTION OF UNREELING

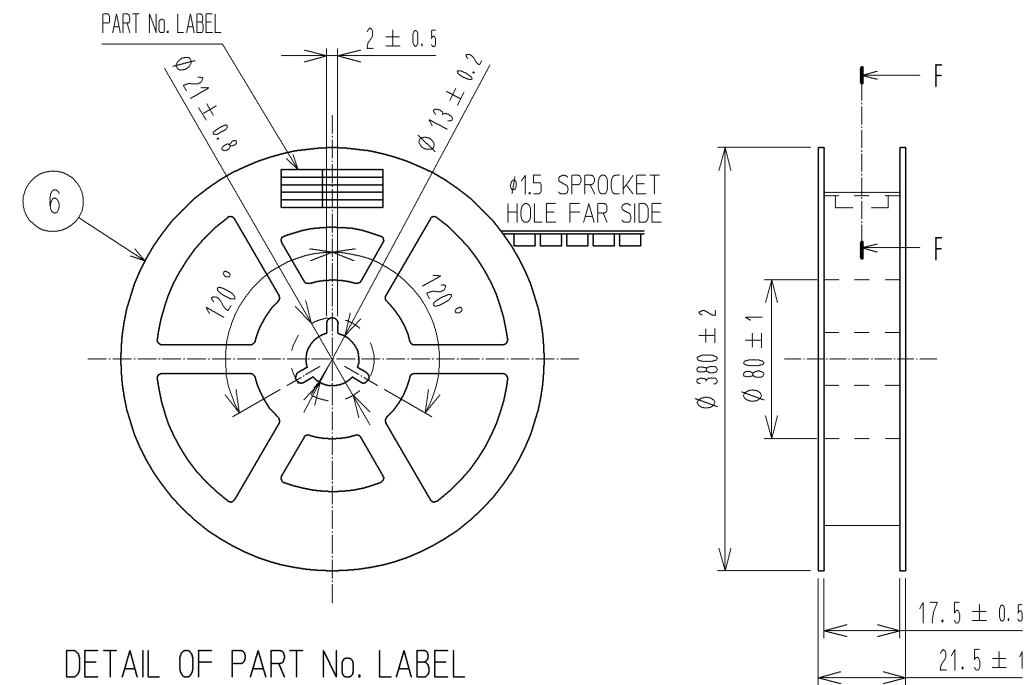
C-C (5:1)



D-D (5:1)



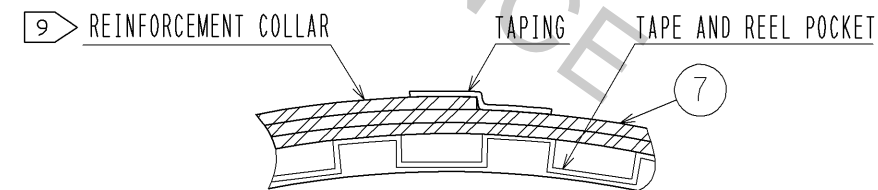
STYLE AND DIMENTION OF REEL (FREE)



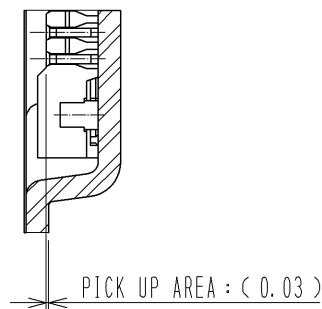
DETAIL OF PART No. LABEL

SUPPLIER	
QUANTITY	
PART No.	
CODE No.	
DATE OF MANUFACTURED	
製造年月日	** ** *
製品コード	CL673-1227-0-51
製品名	BM15FR0.8-20DS-0.35V(51)
数量	15,000
納入者	ヒロセ電機(株)

F-F (FREE)



E(10:1)



- 6. PER REEL 1.5000 CONNECTORS.
- 7. THE DIMENSIONS IN PARENTHESES ARE FOR REFERENCE.
- 8. REFER TO JIS C 0806 AND IEC 60286-3 (PACKAGING OF COMPONENTS FOR AUTOMATIC HANDLING)
- 9. AFTER PACKAGING, ROLL 2 METERS OF THE REINFORCEMENT COLLAR TO OUTER CIRCUMFERENCE OF TAPE AND REEL POCKET, AND TAPE DOWN AT THE END THE COLLAR.

<b>HRS</b>	DRAWING NO.	EDC3-355887-01
	PART NO.	BM15FR0.8-20DS-0.35V(51)
	CODE NO.	CL673-1227-0-51
		$\triangle 3/3$