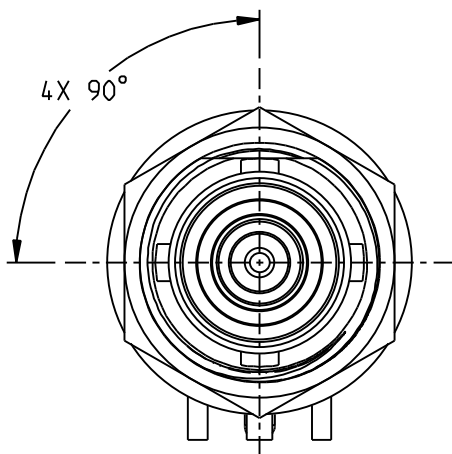
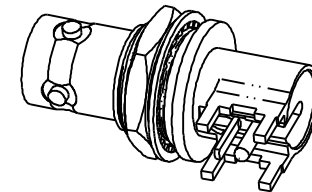
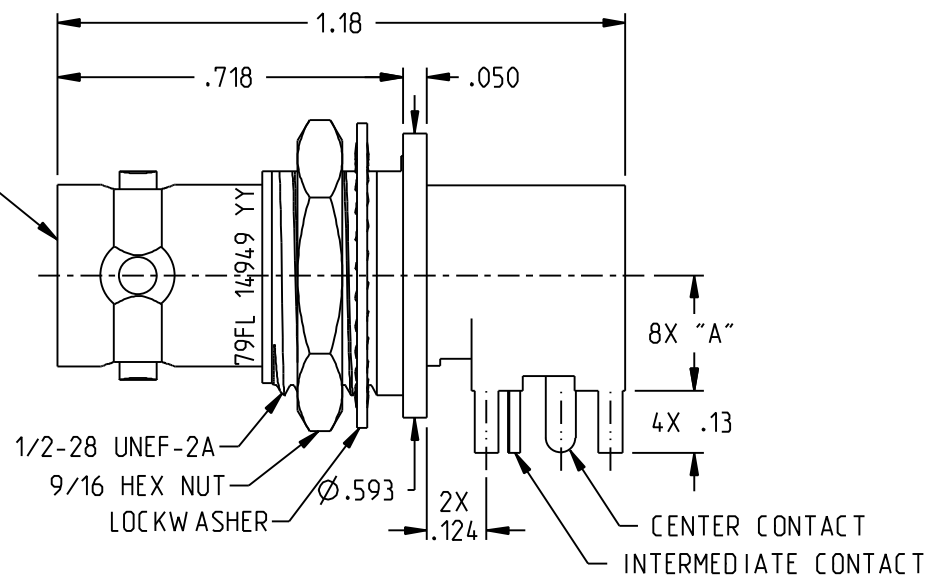


MODEL NO.	"A"	Ø"B"
CBBJR79FL	.24	.063
CBBJR79FLA	.34	.070



TRB JACK INTERFACE
PER MIL-STD-348
FIGURE 201-2



NOTES: UNLESS OTHERWISE SPECIFIED.

CBBJR79FL SHOWN

1. MATERIALS AND FINISH:

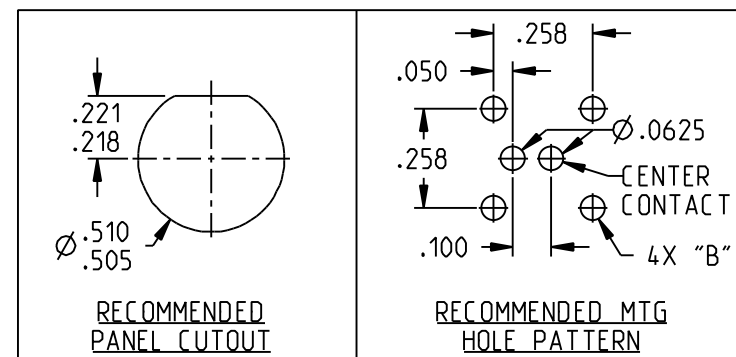
- 1.1 BODY & PANEL NUT: TIN PLATED BRASS
- 1.2 OUTER INSULATOR: PTFE (TEFLON)
- 1.3 INTERMEDIATE CONTACT: GOLD PLATED BRASS
- 1.4 DIELECTRIC: PTFE (TEFLON)
- 1.5 CENTER CONTACT: GOLD PLATED BERYLLIUM COPPER
- 1.6 LOCKWASHER: TIN PLATED COPPER ALLOY

2. ELECTRICAL:

- 2.1 IMPEDANCE: NON-CONSTANT
- 2.2 FREQUENCY (MAX): 500 MHZ

3. PANEL THICKNESS (MAX): 0.125

4. PANEL NUT TORQUE (MAX): 35 INCH POUNDS



<p>This PROPRIETARY Document is property of Cinch Connectivity Solutions. It is confidential in nature, non-transferable, and issued with the clear understanding that it is no longer or copied without permission and is returnable upon demand.</p> <p>INTERPRET DRAWING IN ACCORDANCE WITH ASME Y14.5-2009.</p>		<p>TROMPETER</p>	
	<p>RoHS2 <input checked="" type="checkbox"/></p> <p>2011/65/EU</p> <p>UNLESS OTHERWISE SPECIFIED UNITS: INCH</p> <p>.XX ±.02 .XXX ±.005 ANGLES ±2°</p>	<p>Title: TRB RIGHT ANGLE CIRCUIT BOARD JACK, 4 LUG</p> <p>Model No.: CBBJR79FLX</p>	<p>Size: A</p> <p>DO NOT SCALE DRAWING</p>