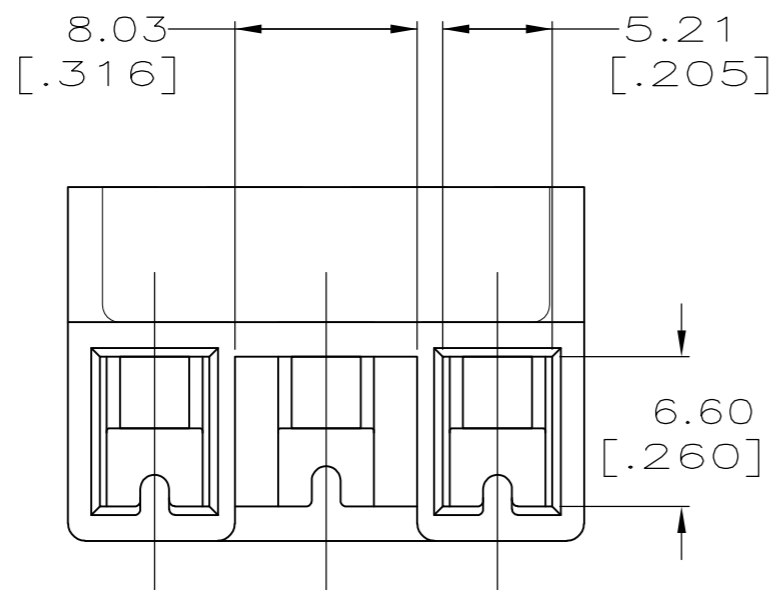
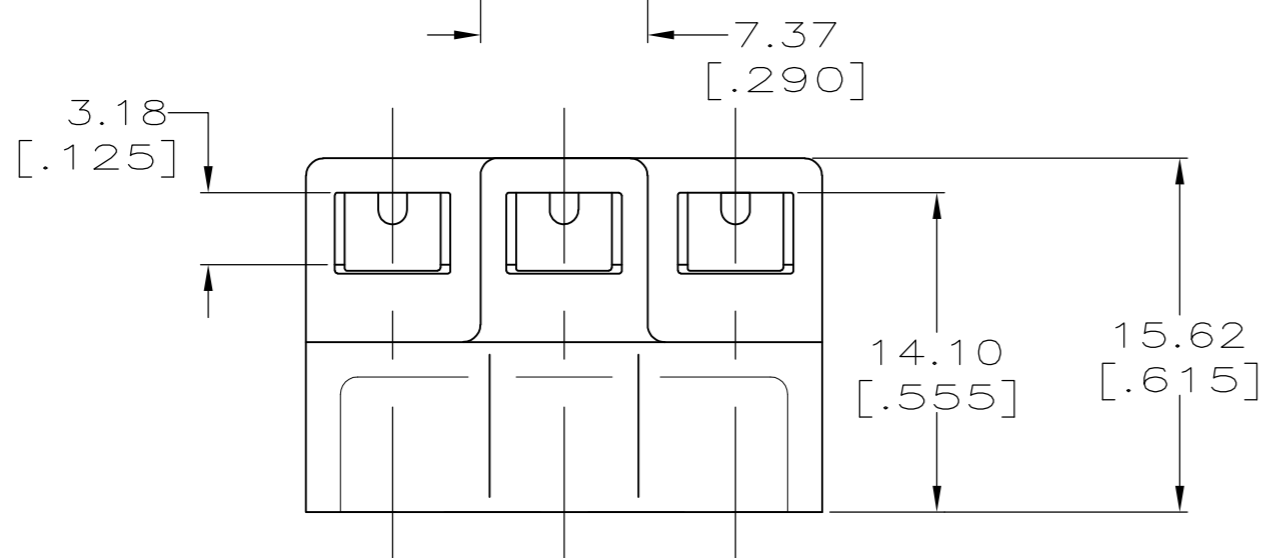
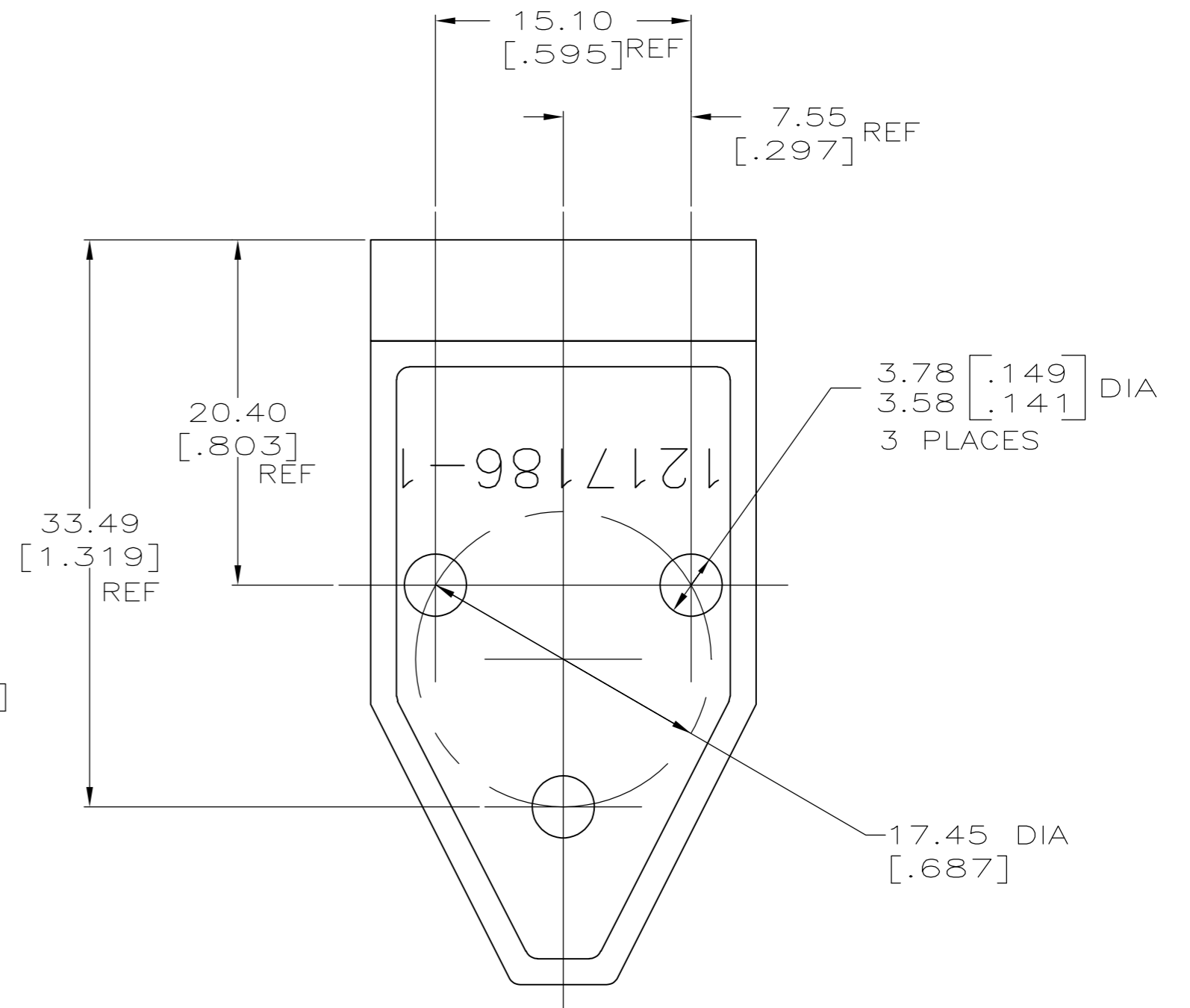
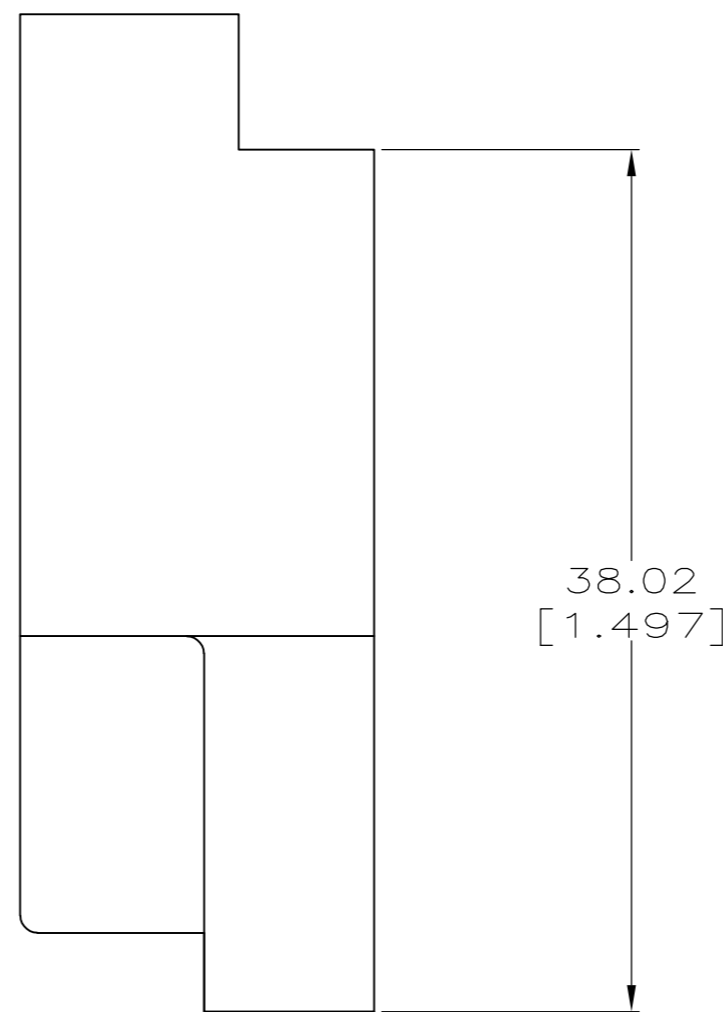
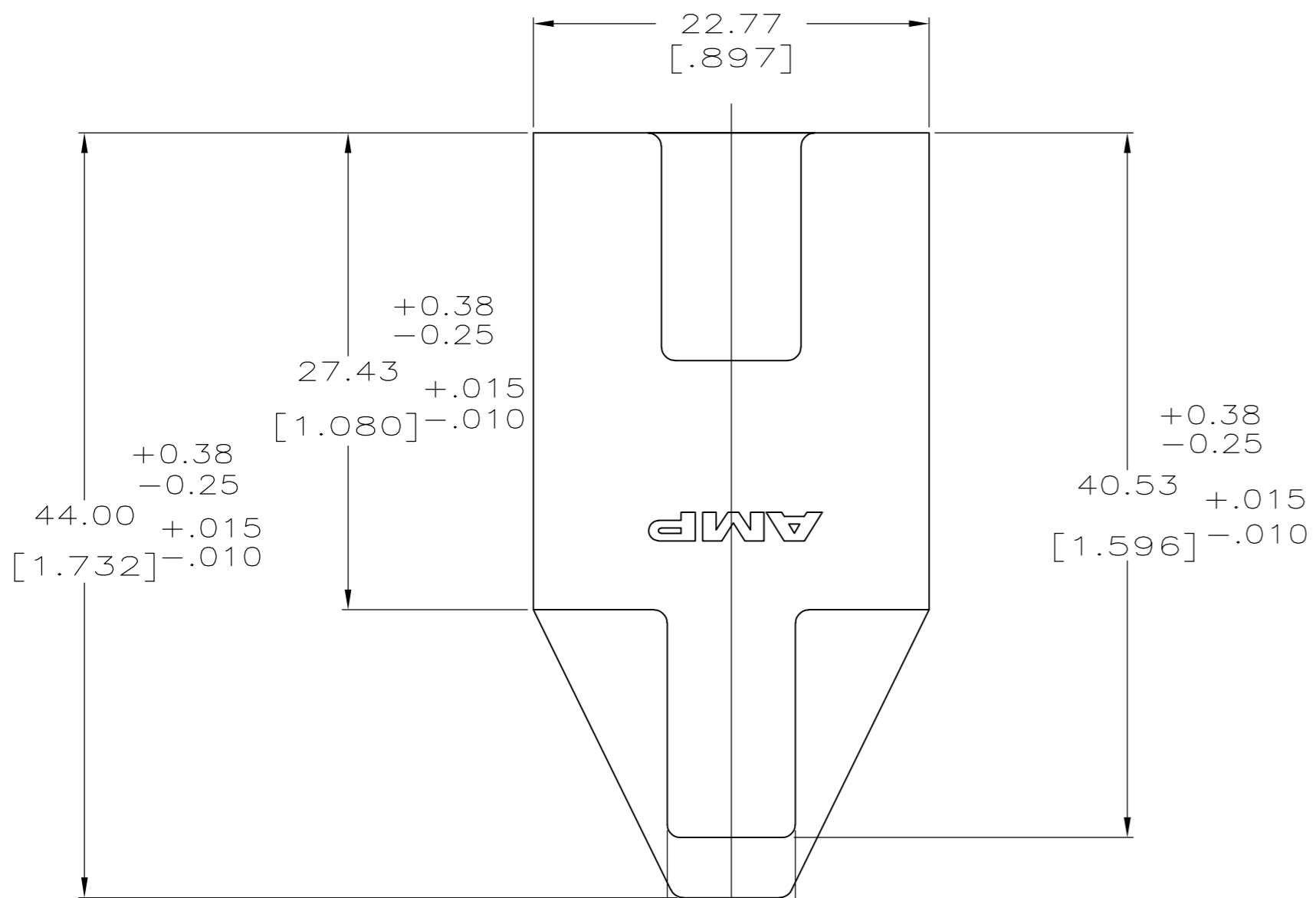


THIS DRAWING IS UNPUBLISHED. RELEASED FOR PUBLICATION  
 © COPYRIGHT BY TYCO ELECTRONICS CORPORATION. ALL RIGHTS RESERVED.

LOC	DIST	REVISIONS			
P	LTR	DESCRIPTION	DATE	DWN	APVD
AF	50	H	REVISED PER ECR-09-006852	22APR10	HMR GJ



1 HOUSING ACCEPTS 3.18 [.125] DIA CLUSTER BLOCK PIN RECEPTACLES.



1217186-1  
PART NUMBER

THIS DRAWING IS A CONTROLLED DOCUMENT.		DWN 01SEP1999 MICHEAL S. FEHER	Tyco Electronics Corporation Harrisburg, PA 17105	
DIMENSIONS: INCHES		CHK 01SEP1999 PETE DESANTIS	NAME HOUSING, CLUSTER BLOCK, 3.18 [.125] DIA	
TOLERANCES UNLESS OTHERWISE SPECIFIED:		APVD 01SEP1999 PETE DESANTIS	PRODUCT SPEC 108-2008	
0 PLC ± -		APPLICATION SPEC 114-2019		
1 PLC ± -		SIZE A2		
2 PLC ± 0.25 [.010]		CAGE CODE 00779		
3 PLC ± -		DRAWING NO C=1217186		
4 PLC ± -		RESTRICTED TO -		
ANGLES ± -		SCALE 3:1		
FINISH NATURAL		SHEET 1 OF 1		
MATERIAL PBT UNFILLED		REV H		
CUSTOMER DRAWING				