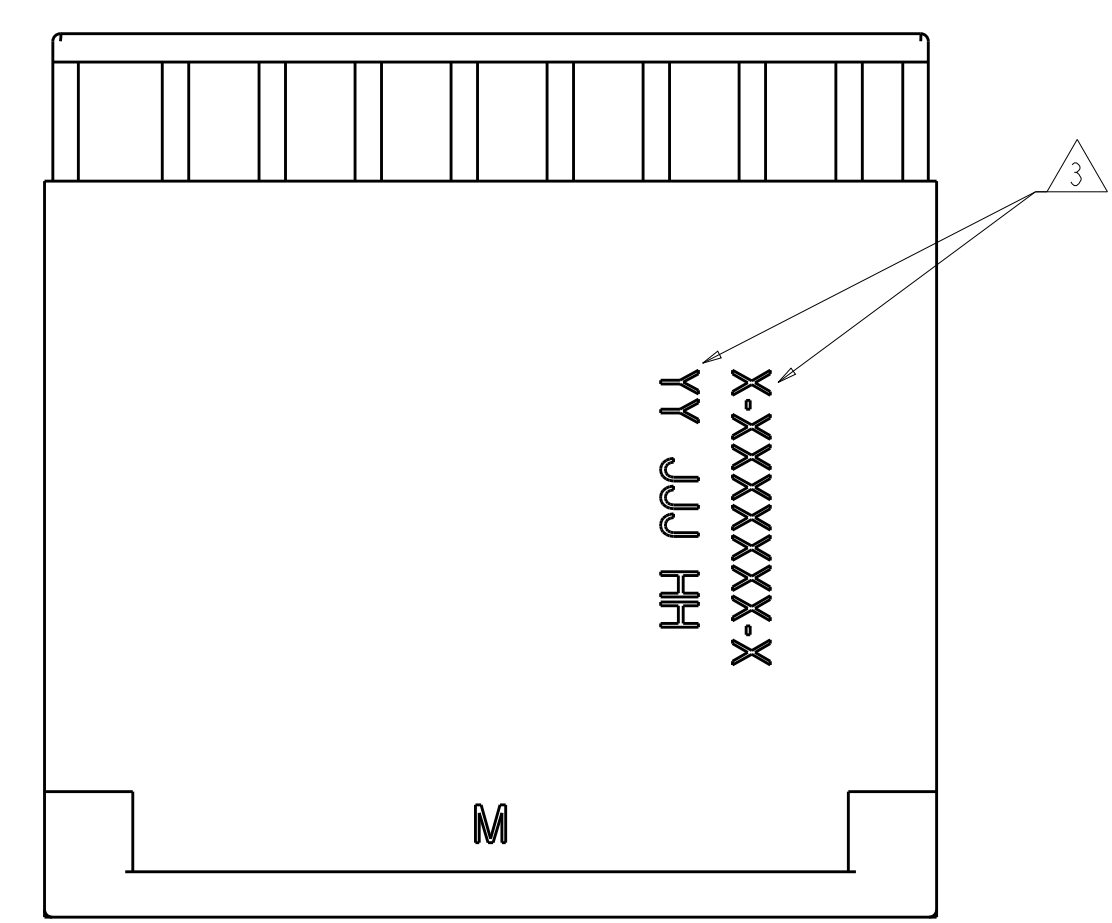
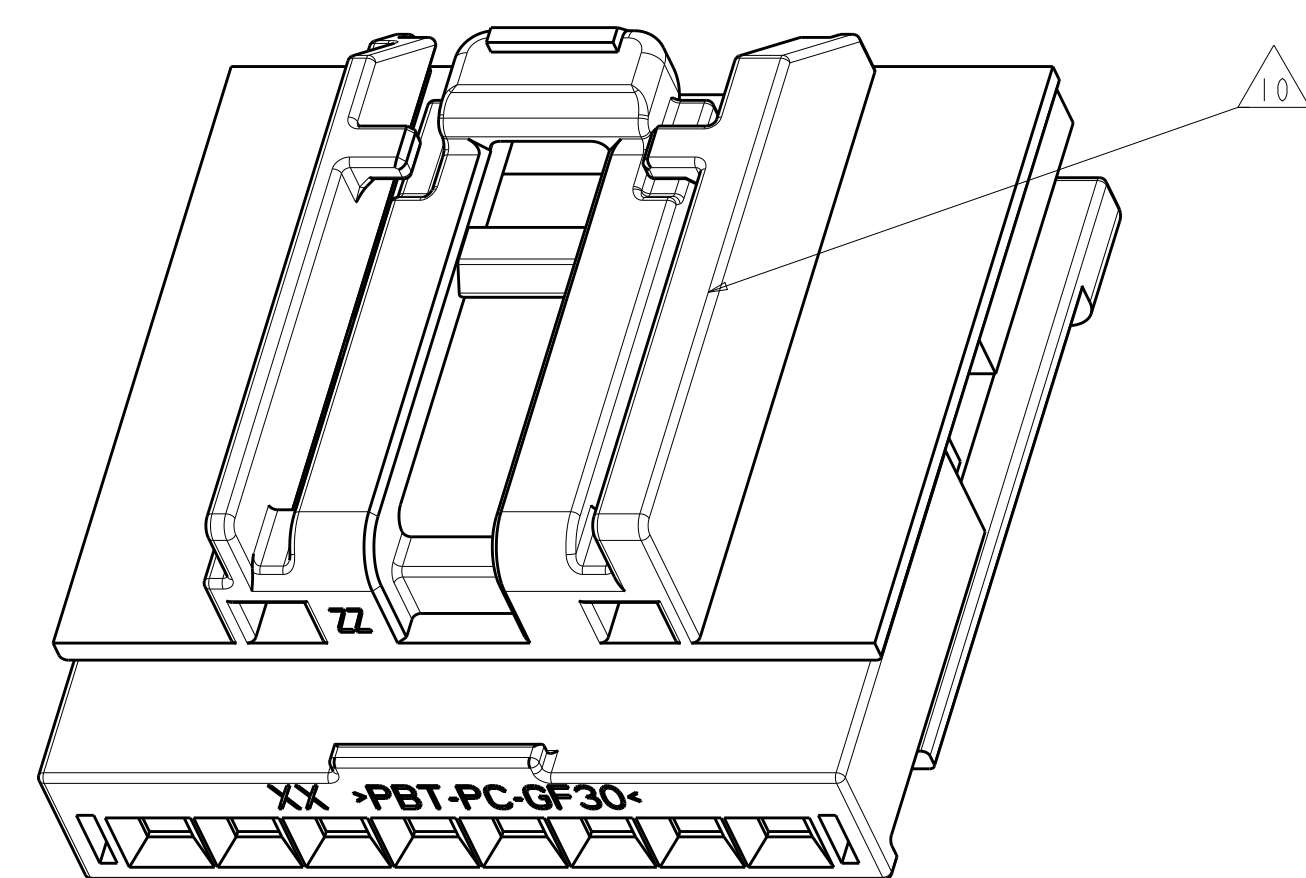
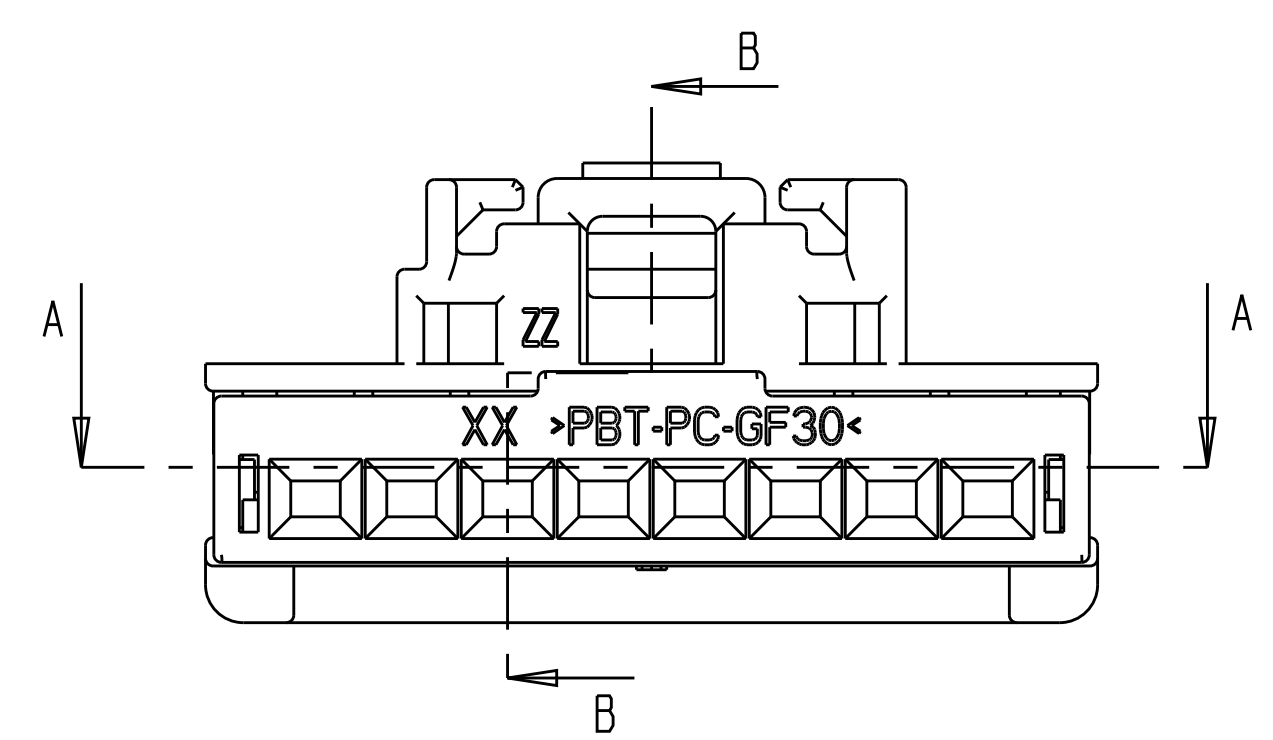
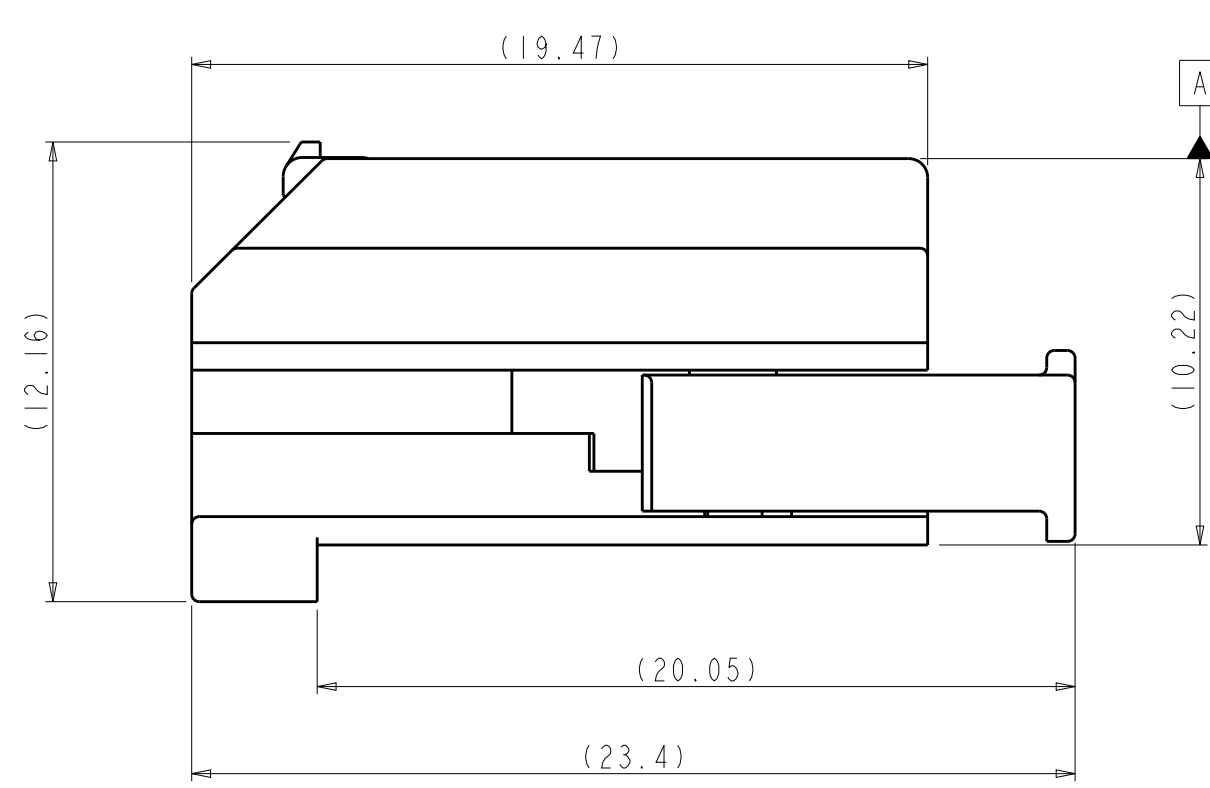
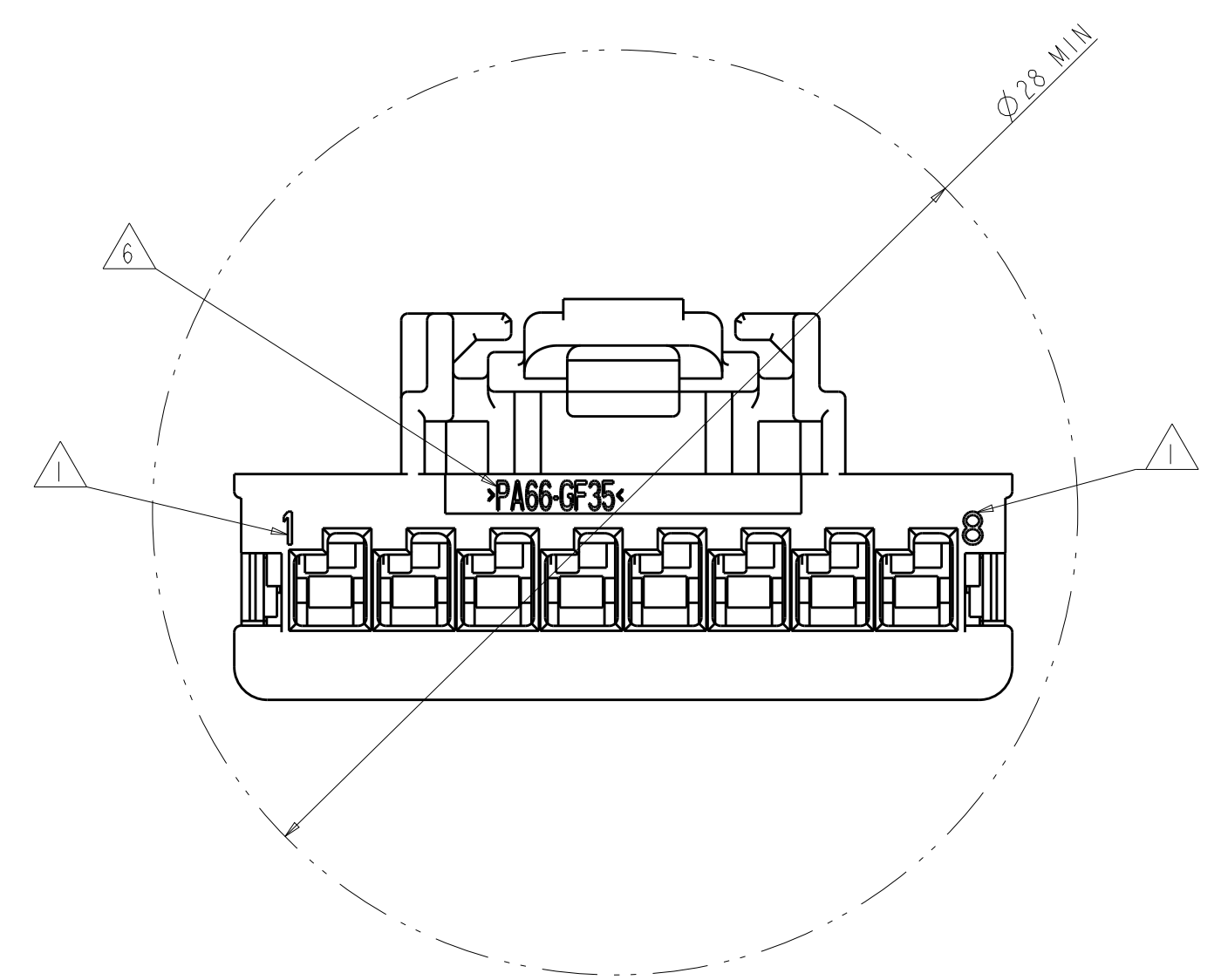
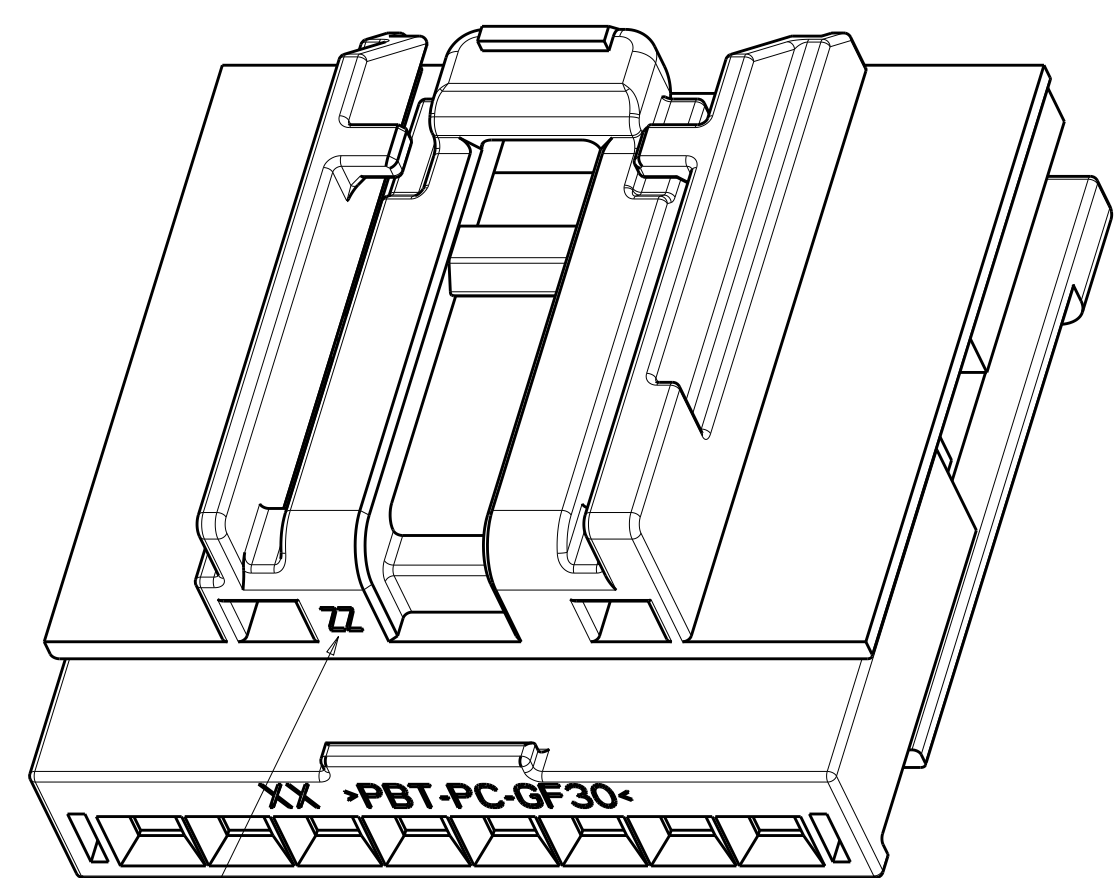
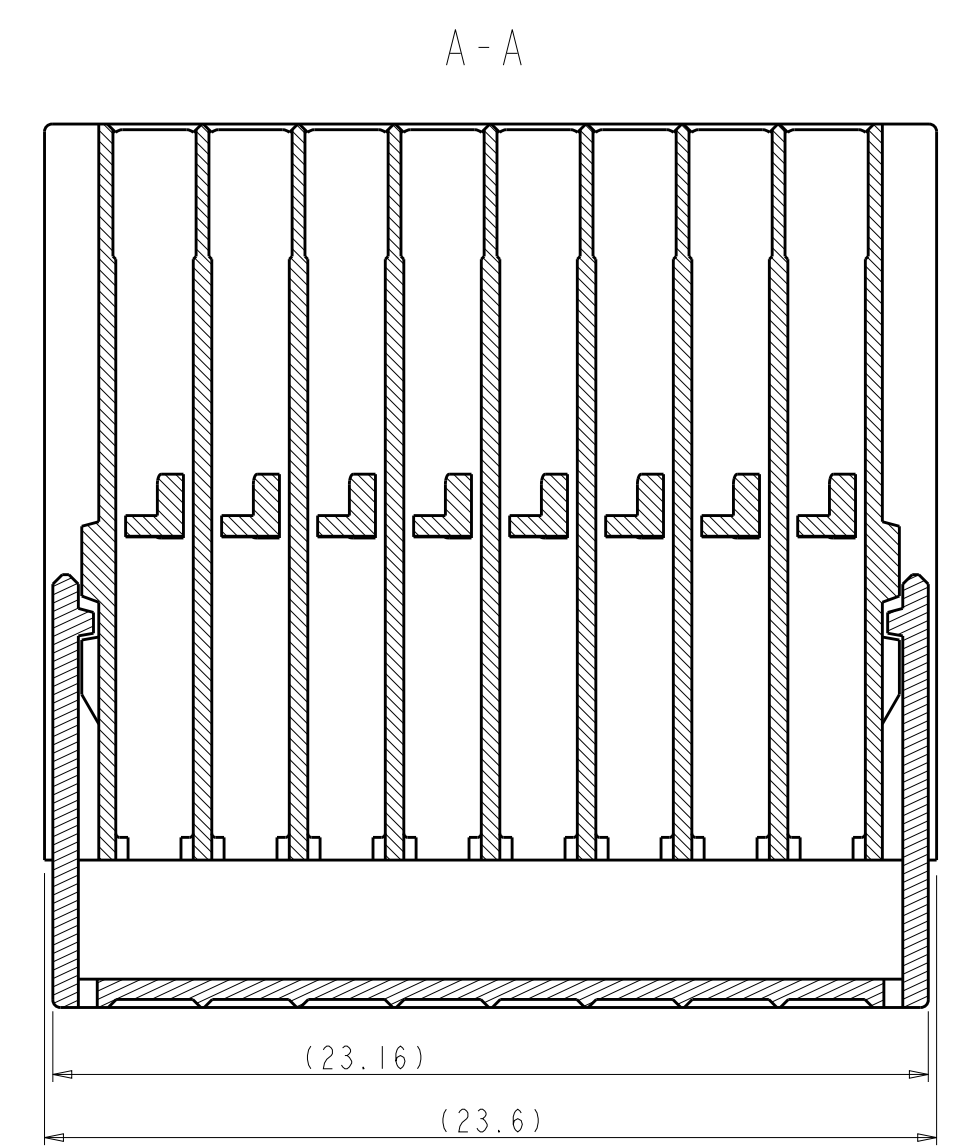
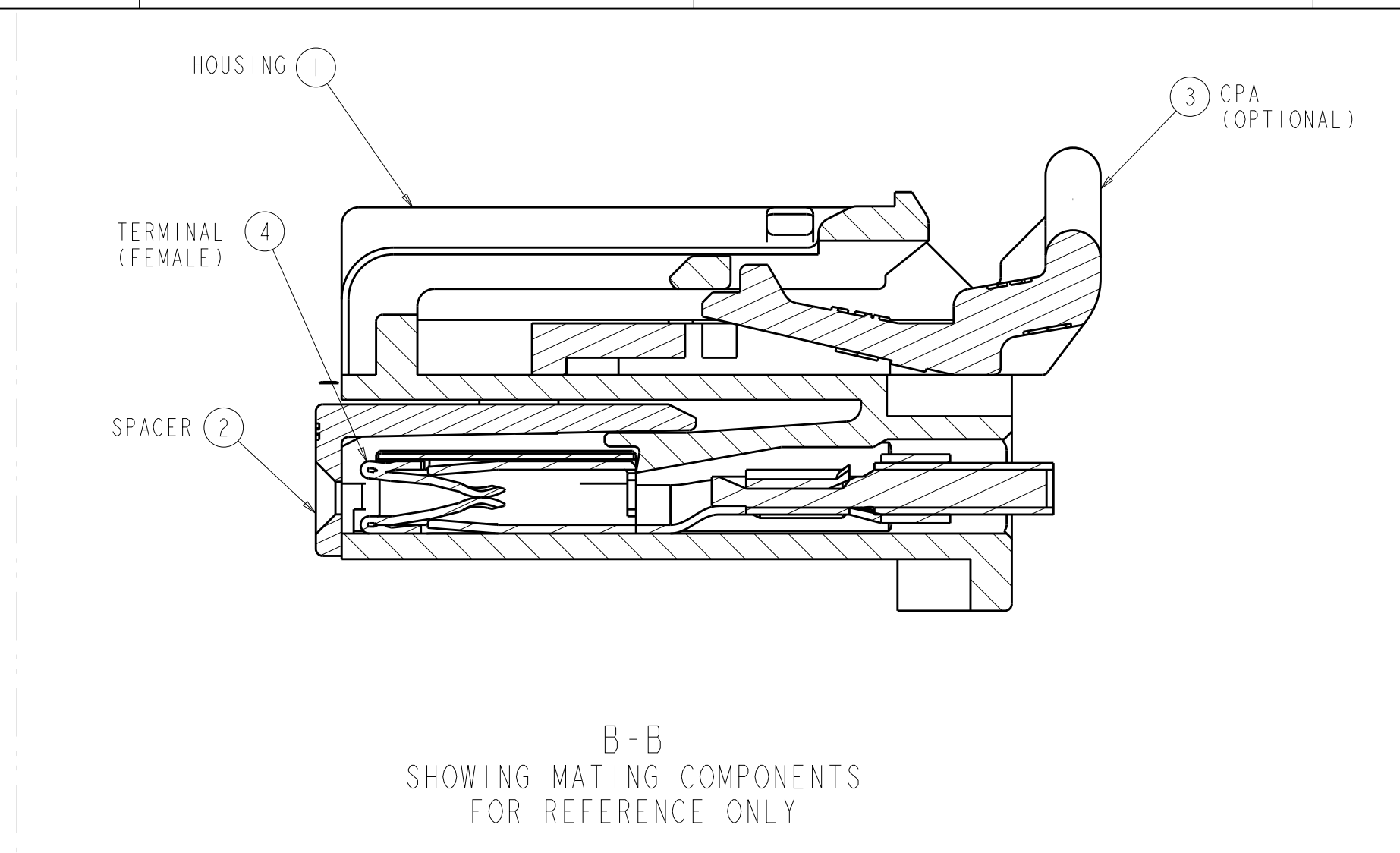
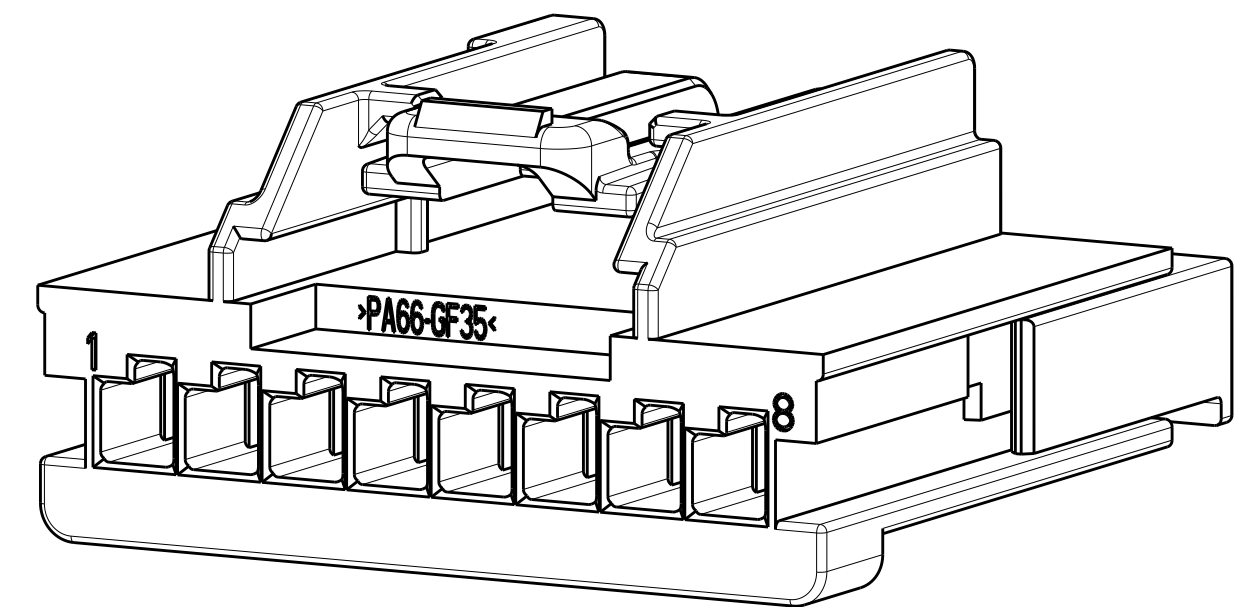


LOC	DIST	REVISIONS					
		P	LTN	DESCRIPTION	DATE	DWN	APVD
A1	00	C		REVISED PER ECO-11-009047	09MAY2011	DD	RL
		D		REVISED PER ECO-12-014001	31JUL2012	DD	RL



- △ TERMINAL CAVITY ID.
- 2. SPACER AND CPA (OPTIONAL) ARE SHIPPED IN PRE-ASSEMBLY POSITION.
- △ PART NUMBER AND DATE CODE.
- △ MOLD CAVITY ID.
- △ MATERIAL IDENTIFICATION.
- 7. PACKAGING: CONNECTOR ASSEMBLIES BULK PACKED IN CARDBOARD BOX.
- 8. DURING SHIPPING AND HANDLING THE TPA MAY BE DISPLACED TO ITS LOCKED POSITION. THE CONNECTOR CAN BE RETURNED TO ITS PROPER FUNCTION USING IS SHEET 408-10104.
- 9. APPLICABLE TERMINAL PART NUMBERS (SOLD SEPERATLY) GOLD APPLICATIONS 1393364 AND 1393365. TIN APPLICATIONS 1393366 AND 1393367 FOR TERMINATION AND REELING OPTIONS SEE DRAWINGS 1393364, 1393365, 1393366 AND 1393367.
- △ 10. OPTIONAL CONSTRUCTION.

TE ORDER NUMBER	DESCRIPTION	COLOR	MATERIAL
2098407-1	FEMALE HSG	YELLOW	>PA66-GF35<
	SPACER	RED	>PBT-GF30<
	CPA	RED	>PBT-GF20<
QUANTITY	DESCRIPTION	COLOR	MATERIAL

THIS DRAWING IS A CONTROLLED DOCUMENT. DWN: D. DRUMMOND 23JUN2009
 CHK: D. ZUTAUT 23JUN2009
 APVD: D. ZUTAUT 23JUN2009

TE Connectivity

NAME: 1X8 POSITION, GET FEMALE CONNECTOR UNSEALED, ASSEMBLY, SAFETY APPLICATION

SIZE: A1 CAGE CODE: 00779 DRAWING NO: 2098407

RESTRICTED TO: -

Customer Drawing SCALE: 5:1 SHEET: 1 OF 1 REV: D