

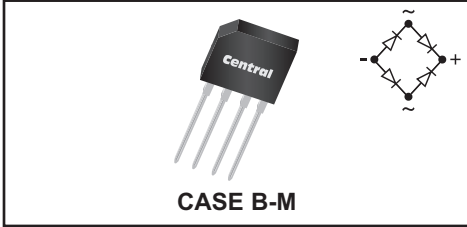
CBR1-L010M SERIES
SILICON BRIDGE RECTIFIERS



www.centrasemi.com

DESCRIPTION:

The CENTRAL SEMICONDUCTOR CBR1-L010M series types are silicon single phase, full wave bridge rectifiers designed for general purpose applications.



MARKING: FULL PART NUMBER

MAXIMUM RATINGS: ($T_A=25^{\circ}\text{C}$ unless otherwise noted)

	SYMBOL	CBR1						UNITS
		-L010M	-L020M	-L040M	-L060M	-L080M	-L100M	
Peak Repetitive Reverse Voltage	V_{RRM}	100	200	400	600	800	1000	V
DC Blocking Voltage	V_R	100	200	400	600	800	1000	V
RMS Reverse Voltage	$V_{R(RMS)}$	70	140	280	420	560	700	V
Average Forward Current ($T_A=50^{\circ}\text{C}$)	I_O				1.5			A
Peak Forward Surge Current	I_{FSM}				50			A
Operating and Storage Junction Temperature	T_J, T_{stg}			-65 to +150				$^{\circ}\text{C}$

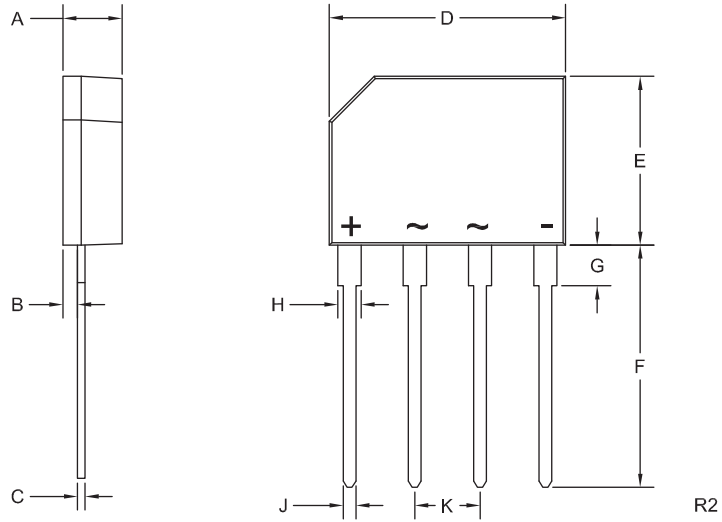
ELECTRICAL CHARACTERISTICS PER DIODE: ($T_A=25^{\circ}\text{C}$ unless otherwise noted)

SYMBOL	TEST CONDITIONS	MIN	MAX	UNITS
I_R	$V_R=\text{Rated } V_{RRM}$		10	μA
I_R	$V_R=\text{Rated } V_{RRM}, T_A=125^{\circ}\text{C}$		500	μA
V_F	$I_F=1.0\text{A}$		1.0	V

CBR1-L010M SERIES
SILICON BRIDGE RECTIFIERS



CASE B-M - MECHANICAL OUTLINE



MARKING:
FULL PART NUMBER

SYMBOL	INCHES		MILLIMETERS	
	MIN	MAX	MIN	MAX
A	0.132	0.144	3.35	3.65
B	0.027	0.043	0.70	1.10
C	0.012	0.025	0.30	0.64
D	0.561	0.581	14.25	14.75
E	0.402	0.417	10.20	10.60
F	0.561	0.610	14.25	15.50
G	0.083	0.107	2.10	2.70
H	0.046	0.056	1.17	1.42
J	0.027	0.034	0.70	0.86
K	0.140	0.160	3.56	4.06

Case B-M (REV: R2)

R1 (25-February 2013)

OUTSTANDING SUPPORT AND SUPERIOR SERVICES



PRODUCT SUPPORT

Central's operations team provides the highest level of support to insure product is delivered on-time.

- Supply management (Customer portals)
- Inventory bonding
- Consolidated shipping options
- Custom bar coding for shipments
- Custom product packing

DESIGNER SUPPORT/SERVICES

Central's applications engineering team is ready to discuss your design challenges. Just ask.

- Free quick ship samples (2nd day air)
- Online technical data and parametric search
- SPICE models
- Custom electrical curves
- Environmental regulation compliance
- Customer specific screening
- Up-screening capabilities
- Special wafer diffusions
- PbSn plating options
- Package details
- Application notes
- Application and design sample kits
- Custom product and package development

REQUESTING PRODUCT PLATING

1. If requesting Tin/Lead plated devices, add the suffix "TIN/LEAD" to the part number when ordering (example: 2N2222A TIN/LEAD).
2. If requesting Lead (Pb) Free plated devices, add the suffix "PBFREE" to the part number when ordering (example: 2N2222A PBFREE).

CONTACT US

Corporate Headquarters & Customer Support Team

Central Semiconductor Corp.
145 Adams Avenue
Hauppauge, NY 11788 USA
Main Tel: (631) 435-1110
Main Fax: (631) 435-1824
Support Team Fax: (631) 435-3388
www.centrasemi.com

Worldwide Field Representatives:
www.centrasemi.com/wwreps

Worldwide Distributors:
www.centrasemi.com/wwdistributors

For the latest version of Central Semiconductor's **LIMITATIONS AND DAMAGES DISCLAIMER**, which is part of Central's Standard Terms and Conditions of sale, visit: www.centrasemi.com/terms