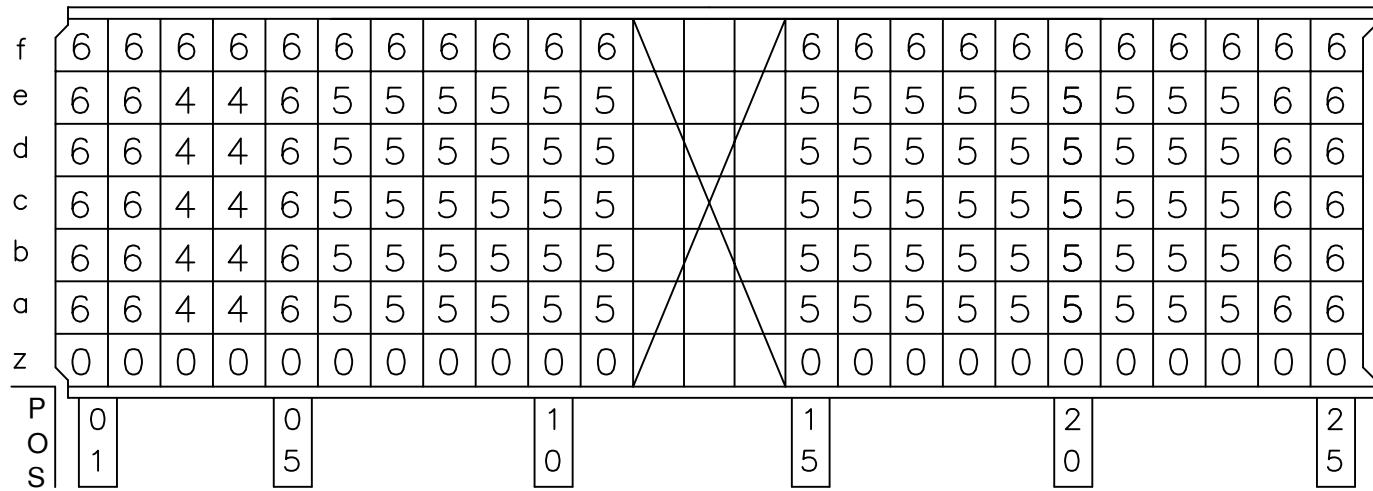
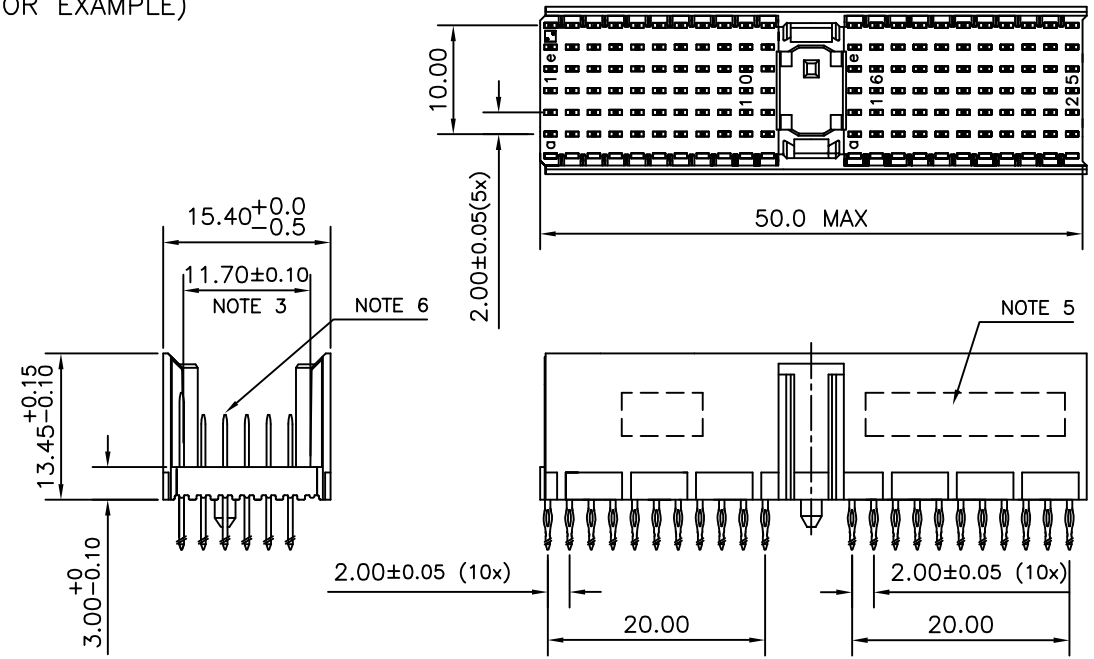


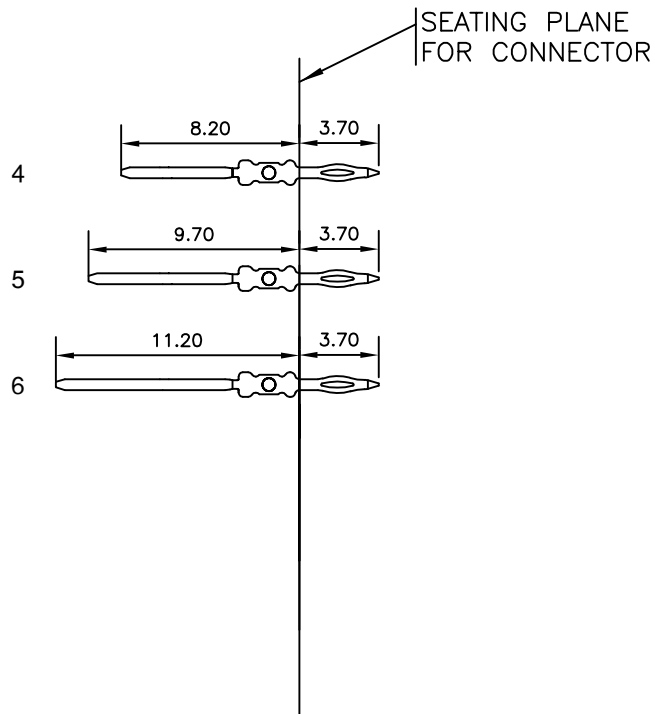
LOADING PATTERN MATING SIDE



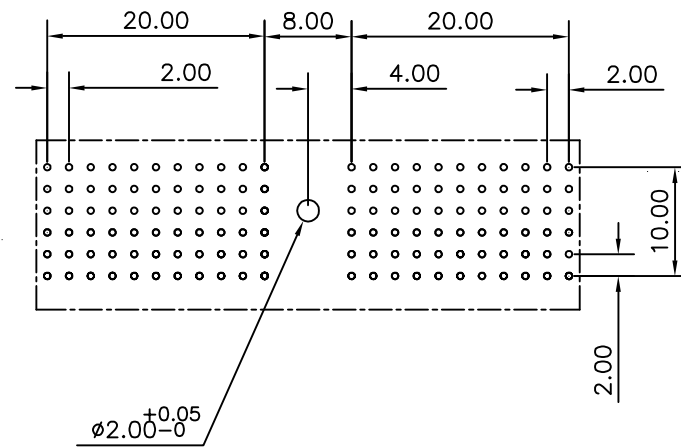
LOADED CONNECTOR ASSEMBLY (FOR EXAMPLE)



CONTACT OVERVIEW



LAY-OUT P.C.B.-HOLE



LEAD FREE INDICATOR : LF = LEAD FREE (DIGIT 15 & 16)

HM2PN1PDG3U9

PLATING CODE (DIGIT 13 AND 14) (REF DRW NO. BS,C , 201844 , 003)

NOTES

- THIS PRODUCT IS CSA APPROVED.
 - THIS PRODUCT IS UL RECOGNIZED.
 - MEASURED AT THE BOTTOM.
 - MATERIAL CONTACT: PHOSPHORBRONZE
HOUSING: CREAM WHITE GLASS FILLED POLYESTER UL-94V0
 - CONNECTOR PRINTED WITH P/N AND DATE CODE.
 - FOR ACTUAL CONTACT LOADINGS, SEE LOADING PATTERN MATING SIDE.
 - SHAPE OF CONNECTOR HOUSING CAN ALTER DEPENDING ON PRODUCTION LOCATION
 - THIS PRODUCT (LF) MEETS EUROPEAN UNION DIRECTIVES AND OTHER COUNTRY REGULATIONS AS DESCRIBED IN GS-22-008
 - FOR RECOMMENDED PTH DIMENSIONS REFER DRAWING : BS, A , 201572 , 001
- PART NO: HM2PN1PDG3U9----

mat'l. code SEE NOTE 4				surface ISO 1302 ✓		tolerance ISO 406 ISO 1101		projection MM		product family MILLIPACS			
ltr	ecn no	dr	date	tolerances unless otherwise specified						title			
A	107-0121	MINI	2007-09-19	angles	linear		.0±0.2 .00±0.1		MPACS 5+2R STR HDR PF CONN TYPE A (WIDTH = 15.4 MAX)				
				0°±1°				scale		-			
				dr	MINI K VANDANATH		2007-09-19		FCI		dwg no sheet 1 of 1		size 5
				enr	BIJU K PAUL		2007-09-19				BS, C , 203028,782		A3
				chr	BIJU K PAUL		2007-09-19				type		Product Customer Drawing
				appd	BIJU K PAUL		2007-09-19						
sheet index	revision sheet	A	1										