

# NCN8024RGEVB

## NCN8024R SOIC-28 Evaluation Board User's Manual



ON Semiconductor®

<http://onsemi.com>

### EVAL BOARD USER'S MANUAL

#### Introduction

This document gives a detailed description of the NCN8024R Evaluation Boards (SOIC-28 version) with the Bill Of Material (BOM), board schematic and layout. The appropriate lab test setup is also provided. The NCN8024R Evaluation Boards have been designed to help for a quick evaluation of the NCN8024R Smart card interface device.

This document has to be used with the NCN8024R datasheet. The datasheet contains full technical details regarding the NCN8024R specifications and operation. The board (FR4 material) is implemented in two metal layers. The top and Bottom layers have thicknesses of 35  $\mu\text{m}$ . The PCB thickness is 1.6 mm with dimensions of 100 mm by 74 mm (see Figure 1).

These evaluation boards can be used to evaluate the device performance. This evaluation board is the same than the NCN8024 device. C1 and C2 not populated constitute the only difference with the NCN8024 Evaluation Board.

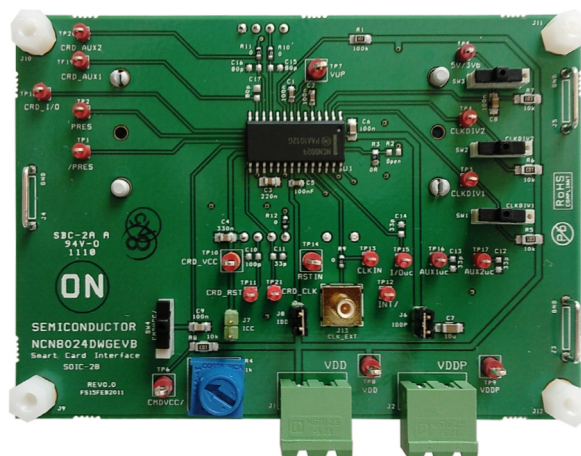


Figure 1. Evaluation Board – SOIC-28

Table 1. EQUIPMENT

Description	Main Features	Example of Equipment (Note 1)	Qty
Regulated Power Supply	200 mA DC Current Capability	Tektronix PS2520G	2
Multimeter		Keitley 2000 or 2001	2
Sourcemeater		Keitley 2400	1
Oscilloscope	500 MHz Bandwidth, Four Channel Scope, Min 1 Mbit Memory per Channel (Note 2)	Tecktronix TDS744, 754 or 784/TDS5054 Series or Lecroy WR5060 TDS5104B, 1 GHz, 5GS/s	1
Voltage Probe	4 Probes 500 MHz Bandwidth	Tektronix or Lecroy	4
Waveform Generator	Pattern Genarator	Agilent 81104A 80 MHz or HP8110A 150 MHz 2 Outputs	1
SMB Cable		External Clock Input	1

1. Equipment used in the context of this Application Note Manual.
2. Greater Scope memory per channel offers better resolution.

# NCN8024RGEVB

## Test Procedure

See Figure 2.

## Initial Setups (Figure 2)

The initial setups given here are recommended before starting measurements on the board.

- Set the CMDVCC/in the OFF Position (High)
- Set CLKDIV1 and CLKDIV2 into Low Position (Lowest Frequency Fclkin)
- Set 5V/3Vbar into a 5V Position
- As a Precaution, Turn the 1 kΩ Potentiometer to Obtain a Resistor Output Value of 1 kΩ, and then Connect the Jumper

## DC Power Supplies

Two power supplies are used to bias the demo board.  $V_{DDP}$  is the input voltage of the DC-DC converter.  $V_{DD}$  is the “digital” power supply which biases the input stages of the NCN8024 device (control and signal inputs).

$V_{DD}$  and  $V_{DDP}$  must be connected to the board for a correct operation.

- Connect the  $V_{DD}$  Power Supply Using the 2 Pin Male Connector J1
- Connect the  $V_{DDP}$  Power Supply Using the 2 Pin Male Connector J2
- Power up  $V_{DDP}$  in the Range 4.85 V–5.5 V
- Power up  $V_{DD}$  in the Range 2.7 V–5.5 V

## Clock Frequency

CLKDIV1 and CLKDIV2 select the frequency divider according to the Table 2.

**Table 2. CLOCK FREQUENCY**

CLKDIV1	CLKDIV2	Divider
1	0	DIV 1/1
1	1	DIV 1/2
0	1	DIV 1/4
0	0	DIV 1/8

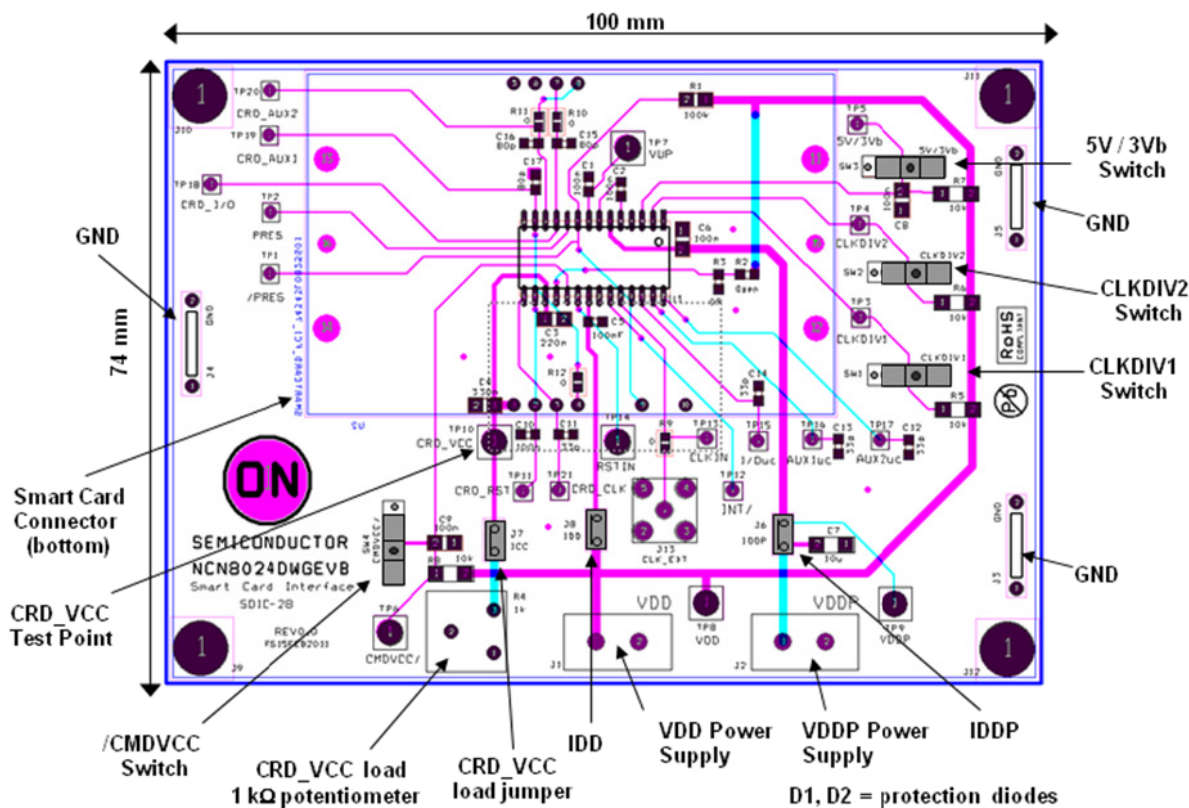
## Card Presence

The socket we use is a normally open, so CDR-PRES/ has been chosen; nevertheless the CRD\_PRES and CRD\_PRES/ test points can also be used for signaling the presence of a card and starting up the circuit.

## Start the Measurement

To start the measurements, set the board as it follows:

- Set CLKDIV1 and CLKDIV2 to Select the Correct Frequency
- Set 5V/3Vbar to Select the Correct Output Voltage
- Jumpers:
  - ◆ 1 kΩ Potentiometer Jumper: Not Connected to Start Measurement
- Finally, Toggle/CMDVCC from High to Low to Start the Device (Activation Sequence Run)




**Figure 2. SOIC-28 Board Description**



# NCN8024RGEVB

**Table 3. BILL OF MATERIAL (BOM)**

Designator	Qty	Description	Value	Footprint	Manufacturer	Part Number
C1, C2	2	CAP CER .1 $\mu$ F 16 V 10% X7R 0603	100 nF	SM/C_0603H	Do Not Populate	Do Not Populate
C3	1	CAP CER .22 $\mu$ F 16 V X7R 10% 0805	220 nF	SM/C_0805H	TDK	C2012X7R1C224K
C4	1	CAP CER .33 $\mu$ F 16 V X7R 10% 0805	330 nF	SM/C_0805H	TDK	C2012X7R1C334K/1.25
C5, C6	2	CAP CER .1 $\mu$ F 25 V 10% X7R 0805	100 nF	SM/C_0805H	Murata	GRM21BR71E104KA01L
C7	1	CAP CER 10 $\mu$ F 6.3 V X5R 10% 1206	10 $\mu$ F	SM/C_1206H	TDK	C3216X5R0J106K/1.60
C8, C9	2	CAP CER .1 $\mu$ F 25 V 10% X7R 0805	100 nF	SM/C_0805H	Murata	GRM21BR71E104KA01L
C10	1	Do Not Populate	-	SM/C_0603H	Do Not Populate	Do Not Populate
C11, C12, C13, C14	4	Do Not Populate	-	SM/C_0603H	Do Not Populate	Do Not Populate
C15, C16, C17	3	Do Not Populate	-	SM/C_0603H	Do Not Populate	Do Not Populate
R1	1	RES 100 k $\Omega$ 1/4 W 5% 0805 SMD	100 k $\Omega$	SM/C_0805H	Rohm Semiconductor	ESR10EZPJ104
R2	1	Do Not Populate	-	SM/C_0603H	Do Not Populate	Do Not Populate
R3, R9, R10, R11, R12	5	RES 0.0 $\Omega$ 1/10 W 0603 SMD	0	SM/C_0603H	Stackpole Electronics Inc	RMCF0603ZT0R00
R4	1	Single Turn Cermet Trimmer 1 k $\Omega$ , 0.5 W, 10%, 63M100R	1 k $\Omega$	CERMET-72PT	Bourns	3386F-1-102TLF
R5, R6, R7, R8	4	RES 10 k $\Omega$ 1/4 W 5% 1206 SMD	10 k $\Omega$	SM/C_1206H	Rohm Semiconductor	MCR18EZPJ103
SW1, SW2, SW3, SW4	4	PCB Slide Switches	-	INTER3-2,54	EAO	09.03290.01
TP1-TP5, TP11-TP13, TP15-TP21	15	CLKDIV1/2, 5 V/3 Vb, INT/, I/OUC, AUX1UC, AUX2UC, CLKIN, CRD_AUX1, _AUX2, _I/O, _CLK, _RST, /PRES, PRES, Clip Test Point Hole Diameter 1.0 mm	-	TP_1	Keystone	5000
TP6, TP7, TP8, TP9, TP10, TP14	6	/CMDVCC, VUP, VDD, VDDP, CRD_VCC, RSTIN, Clip Test Point Hole Diameter 1.6 mm	-	TP_1.6MMHOLE_KEYS TONE_5010	Keystone	5010
J1, J2	2	VDD, VDDP, 2 Pins, Male Connector, 5.08 mm Step	-	MSTBA2-5.08MM	Phoenix Contact	MSTBA2.52G5.08
J3, J4, J5	3	Ground: Strap, Brass, Diameter 1.0 mm, Pitch 10.16 mm, Height 9.9 mm	-	GND_STRP	HARWIN	D3082-46
J6, J7, J8	3	IDD, IDDP, ICC, Breakable Single Row, Header (2 Pins)	-	CON2-2.54	TYCO Amp	5-826629-0
J9, J10, J11, J12	4	Standoff Nut	-	Standoff Hole	Keystone	1903C
J9, J10, J11, J12	4	Standoff Screw	-	Standoff Hole	Keystone	4814K-ND
J13	1	SMB Connector	-	SMB/V	Amphenol Connex	142138
U1	1	NCN8024R Smart Card Interface	-	SOIC-28	ON Semiconductor	NCN8024RDWR2G
U2	1	Smart Card Socket	-	SmartCard_ FCI_74343L0825S01	FCI	7434L0825S01LF

**ON Semiconductor** and  are registered trademarks of Semiconductor Components Industries, LLC (SCILLC). SCILLC owns the rights to a number of patents, trademarks, copyrights, trade secrets, and other intellectual property. A listing of SCILLC's product/patent coverage may be accessed at [www.onsemi.com/site/pdf/Patent-Marking.pdf](http://www.onsemi.com/site/pdf/Patent-Marking.pdf). SCILLC reserves the right to make changes without further notice to any products herein. SCILLC makes no warranty, representation or guarantee regarding the suitability of its products for any particular purpose, nor does SCILLC assume any liability arising out of the application or use of any product or circuit, and specifically disclaims any and all liability, including without limitation special, consequential or incidental damages. "Typical" parameters which may be provided in SCILLC data sheets and/or specifications can and do vary in different applications and actual performance may vary over time. All operating parameters, including "Typicals" must be validated for each customer application by customer's technical experts. SCILLC does not convey any license under its patent rights nor the rights of others. SCILLC products are not designed, intended, or authorized for use as components in systems intended for surgical implant into the body, or other applications intended to support or sustain life, or for any other application in which the failure of the SCILLC product could create a situation where personal injury or death may occur. Should Buyer purchase or use SCILLC products for any such unintended or unauthorized application, Buyer shall indemnify and hold SCILLC and its officers, employees, subsidiaries, affiliates, and distributors harmless against all claims, costs, damages, and expenses, and reasonable attorney fees arising out of, directly or indirectly, any claim of personal injury or death associated with such unintended or unauthorized use, even if such claim alleges that SCILLC was negligent regarding the design or manufacture of the part. SCILLC is an Equal Opportunity/Affirmative Action Employer. This literature is subject to all applicable copyright laws and is not for resale in any manner.

## PUBLICATION ORDERING INFORMATION

### LITERATURE FULFILLMENT:

Literature Distribution Center for ON Semiconductor  
P.O. Box 5163, Denver, Colorado 80217 USA  
**Phone:** 303-675-2175 or 800-344-3860 Toll Free USA/Canada  
**Fax:** 303-675-2176 or 800-344-3867 Toll Free USA/Canada  
**Email:** [orderlit@onsemi.com](mailto:orderlit@onsemi.com)

**N. American Technical Support:** 800-282-9855 Toll Free  
USA/Canada  
**Europe, Middle East and Africa Technical Support:**  
Phone: 421 33 790 2910  
**Japan Customer Focus Center**  
Phone: 81-3-5817-1050

**ON Semiconductor Website:** [www.onsemi.com](http://www.onsemi.com)  
**Order Literature:** <http://www.onsemi.com/orderlit>  
For additional information, please contact your local  
Sales Representative