

NOTES:

1.0 SPECIFICATIONS:

1.1 FREQ. RANGE: DC to 12.4 GHz

1.2 ATTENUATION ACCURACY:

0dB	+0.3/-0dB
0.5 - 6dB	±0.3dB
7 - 20dB	±0.5dB
21 - 30dB	±1.0dB
31 - 40dB	±1.5dB

1.3 MAXIMUM VSWR: 1.07 + .015 f (GHz)

1.4 MAXIMUM INPUT POWER: 2 WATTS AVG
AT +25°C DERATED LINEARLY TO
0.5 WATTS AT +125°C

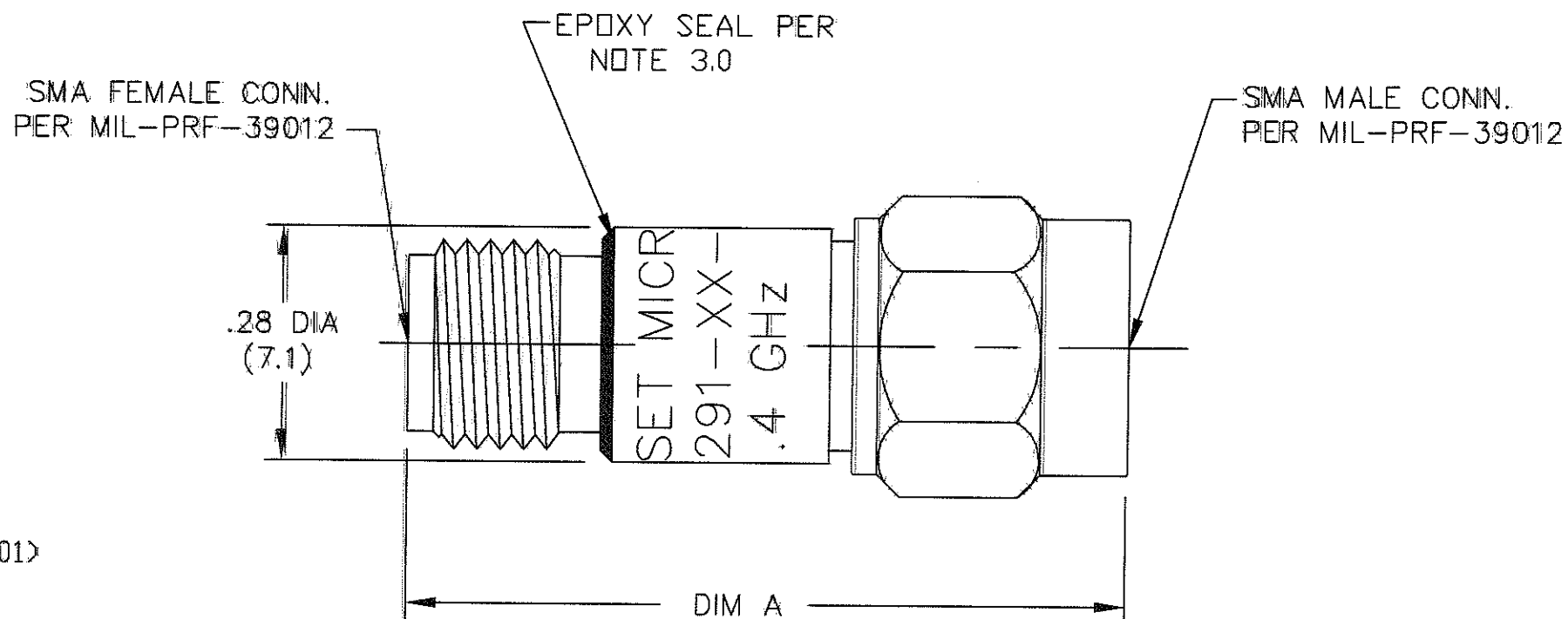
1.5 OPERATING TEMP. RANGE: -65°C to +125°C

2.0 MARKING

2.1 MARK UNIT AS SHOWN
(REF.: INK-03811-27-XX)

3.0 EPOXY UNIT AS SHOWN (REF.: EPX-08000-44-01)

4.0 DIMENSIONS IN PARENTHESIS ARE IN
MILLIMETERS.



ATTENUATION VALUE	DIM A
0-12dB	.86(21.8)
13-30dB	1.02(25.9)
31-40dB	1.13(28.6)

SEE HISTORY FILE FOR REV. HISTORY

DWG NO. WAS: 02333-01-00

REV.	DESCRIPTION	DATE
-	RELEASED	10/2/92
M	ECR 6933	1/26/90
M1	SHOW CORR. P/N	2/15/90
N	ECN 10832	9/3/91
O	REDRAW ON CAD	9/29/92
P	ECN 17389	12/16/99
R	ECN 18049	2/24/03
S	ECN 21171	1/4/07

UNLESS OTHERWISE NOTED DIMENSIONS ARE IN INCHES AND TOLERANCES ARE:	FSCM NO.	34078 MIDWEST MICROWAVE	
	3 PLACE DECIMALS ±.005 2 PLACE DECIMALS ±.02 FRACTIONS ±1/64 PARALLELITY: T.I.R. _____ FLATNESS: T.I.R. _____ CONCENTRICITY: T.I.R. _____ ANGLES AND PERPENDICULARITY: ±1"	NOTICE: The information contained in this drawing is proprietary and must not be used without the permission of Midwest Microwave.	TITLE ATTENUATOR
	DRAWN/DATE A.BEATTY 9/29/92	ENG./DATE G.KOZAK 10/1/92	DRAWING NUMBER ATT-0291-XX-SMA-02
	CHECKED/DATE	APPROVED/DATE	SCALE: 5=1 SHEET 1 of 1

MODEL NUMBER
ATT-0291-XX-SMA-02
REV.
S