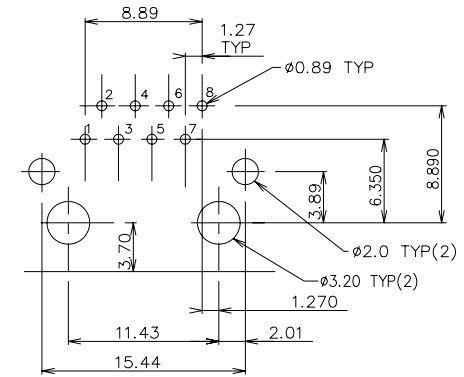


P/N: 10122517- 0 X X X LF
LEAD FREE PRODUCT NO.

| NO. | WIRE NUMBERS LOADED |
|-----|---------------------|
| 1 | ALL |

| NO. | PLATING |
|-----|----------|
| 1 | 15u" GXT |
| 2 | 30u" GXT |
| 3 | 50u" GXT |
| 4 | 15u" Au |
| 5 | 30u" Au |
| 6 | 50u" Au |

| NO. | DIM A |
|-----|-----------|
| 1 | 3.20±0.50 |
| 2 | 1.50±0.30 |

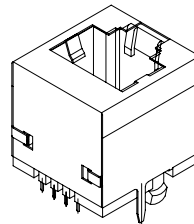
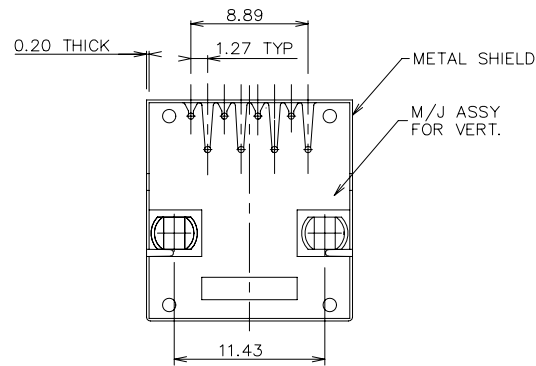
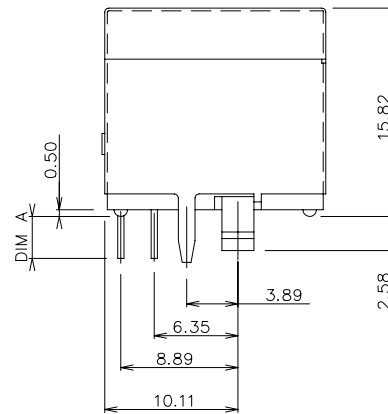
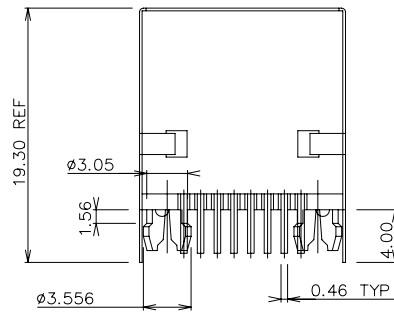


RECOMMENDED PC BOARD LAYOUT

PCB GENERALLY TOLERANCE: ±0.05

NOTES:

1. RECOMMENDED P.C.B THICKNESS 1.60 MM EXCEPT -0XX2LF
2. 10122517-0XX2LF IS CUSTOMER SPECIAL REQUIREMENT, THERE IS A MYLAR, AND CUSTOMER CHOOSES HIS OWN PCB.
3. HOUSING MATERIAL: NYLON UL 94V-0, BLACK.
4. CONTACTS: COPPER ALLOY, PLATING SEE P/N.
5. METAL SHELL MATERIAL:
COPPER ALLOY, 0.20mm THICK
FINISH: UNDERPLATING WITH 50u" MIN. NICKEL
OVERPLATING WITH 80u" MIN PURE BRIGHT TIN
6. PACKAGING: GES-14-351, USE TRAY
7. PRODUCT SPEC: GS-12-083.
7. IF LF P/N THE PRODUCT MEETS EUROPEAN UNION DIRECTIVES AND OTHER COUNTRY REGULATIONS AS DESCRIBED IN GS-22-008
8. IF LF P/N THE HOUSING WILL WITHSTAND EXPOSURE TO 260°C PEAK TEMPERATURE FOR 10 SECONDS IN A WAVE SOLDER APPLICATION WITH A 1.60mm MINIMUM THICK CIRCUIT BOARD
9. IF LF P/N PACKAGING MEETS GS-14-920 SPECIFICATION



| | | | | |
|--------------|----------------------|---------------------------------------|------------------|--|
| mat'l. code | surface ISO1302 ✓ | tolerance ISO1101 ISO406 | projection mm | product family MOD JACK |
| ltr ecn nodr | date CM 27/08/12 | tolerances unless otherwise specified | mm | title 8 POS VERT PCB. M/J ASSY SHIELDED, WITHOUT PANEL STOP |
| A | | 0.X±0.3 | scale 2.0 | dwg no 10122517 |
| | | 0.XX±0.15 | | sheet 1 of 1 size A4 |
| | | 0.XXX±0.05 | | type Product Customer Drawing |
| dr | CM_SUN | 08/27/12 | FCI | |
| enr | CM_SUN | 08/27/12 | | |
| chr | Rick.Bian | 08/27/12 | | |
| appd | Rick.Bian | 08/27/12 | | |
| sheet index | revision sheet | A 1 | | |