

## 1 Scope

The present specifications shall apply to Sanken silicon diode, RU4B.

## 2 Outline

Type	Silicon Diode	
Structure	Resin Molded	Flammability:UL94-V0(Equivalent)
Applications	Pulse rectification, etc.	

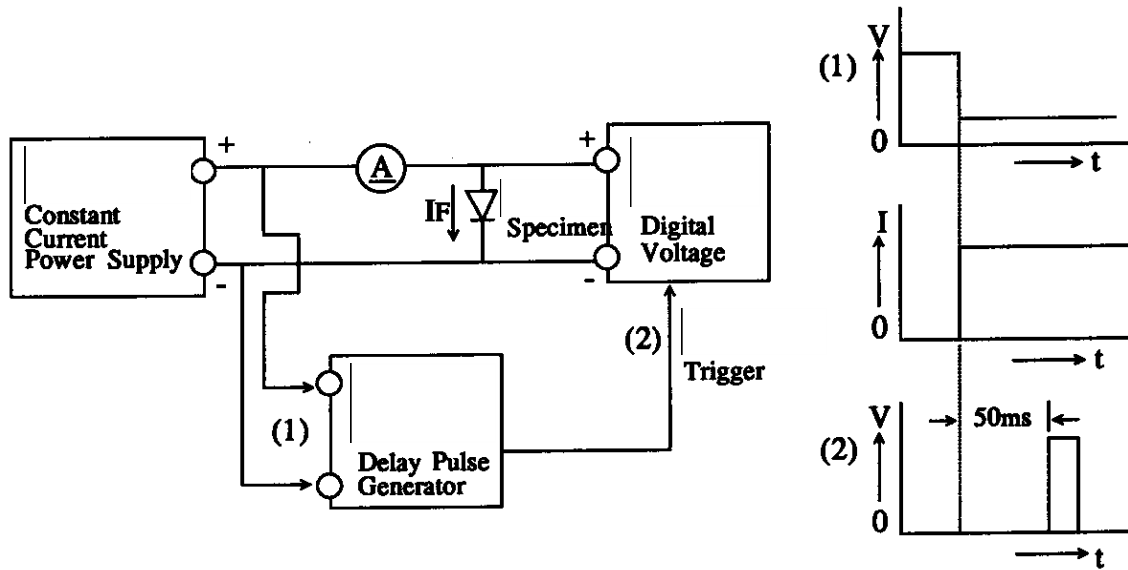
## 3 Absolute maximum ratings

No.	Item	Symbol	Unit	Rating	Conditions	
1	Transient Peak Reverse Voltage	$V_{RSM}$	V	850		
2	Peak Reverse Voltage	$V_{RM}$	V	800		
3	Average Forward Current	$I_{F(AV)}$	A	1.5 (Ta=60°C)	With out Fin	Refer to 6
				3.0 (Ta=60°C)	With Fin	
4	Peak Surge Forward Current	$I_{FSM}$	A	50	10msec. Half sinewave, one shot	
5	Junction Temperature	$T_j$	°C	-40 ~ +150		
6	Storage Temperature	$T_{stg}$	°C	-40 ~ +150		

## 4 Electrical characteristics (Ta=25°C unless otherwise specified)

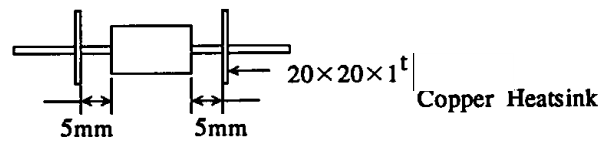
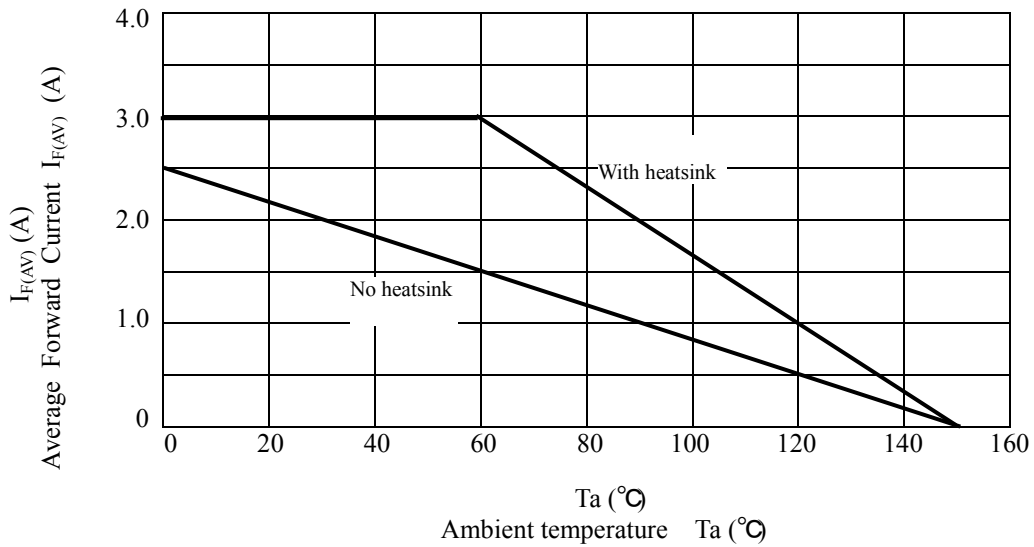
No.	Item	Symbol	Unit	Value	Conditions
1	Forward Voltage Drop	$V_F$	V	1.60 max.	$I_F=3.0A$
2	Reverse Leakage Current	$I_R$	μA	10 max.	$V_R=V_{RM}$
3	Reverse Leakage Current Under High Temperature	$H \cdot I_R$	μA	500 max.	$V_R=V_{RM}$ , Ta=100°C
4	Reverse Recovery Time	Trr-1	μs	0.4 max.	$I_F=I_{RP}=10mA$ , Ta=25°C 90% Recovery point
		Trr-2	μs	0.18 max.	$I_F=10mA$ , $I_{RP}=20mA$ , Ta=25°C 75% Recovery point
5	Thermal Resistance	$R_{th(j-l)}$	°C/W	8.0 max.	Between Junction and Lead

5  $V_F$  test and test circuit



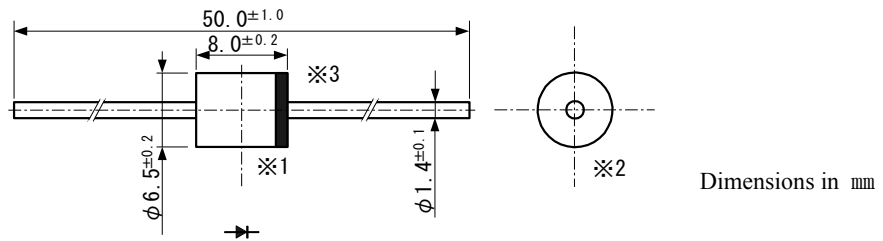
6 Derating

Derating to the ambient temperature.  
 Power loss generated by voltage is not taken into consideration.



7 Package information

7-1 Package type, physical dimensions and material



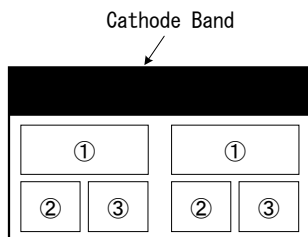
- ※1 Wire diameter of lead tips is φ1.55mm(max.)
- ※2 The allowance position of body against the center of whole lead wire is 0.5mm (max.)
- ※3 The centric allowance of lead wire against center of physical body is 0.3mm (max.)
- ※4 The burr may exit up to 2mm from the body of lead

7-2 Appearance

The body shall be clean and shall not bear any stain, rust or flaw.

7-3 Marking

① Type number RU4B



② Lot number 1  
 First digit : Last digit of year  
 Second digit : Month  
 From 1 to 9 for Jan. to Sep.  
 O for Oct., N for Nov., and D for Dec.

③ Lot number 2 (ten days)  
 · : Top of the month  
 ·· : Middle of month  
 ··· : End of month

The Type number and Lot number are to be marked in red.