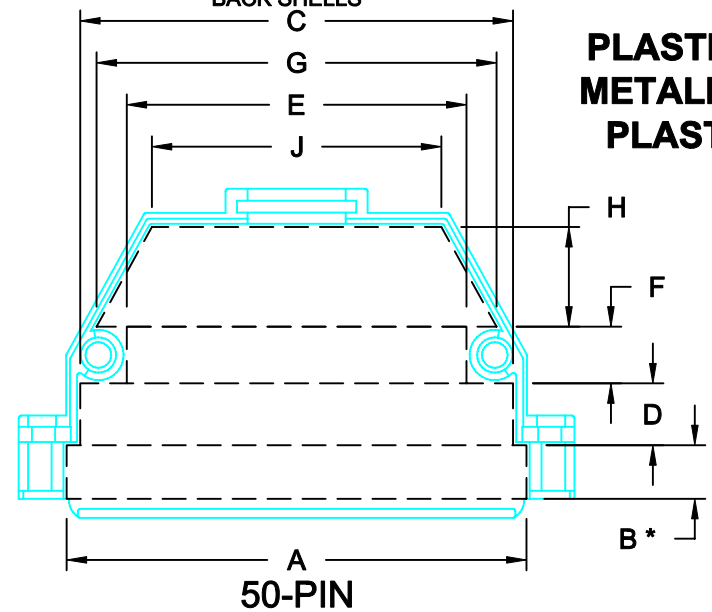
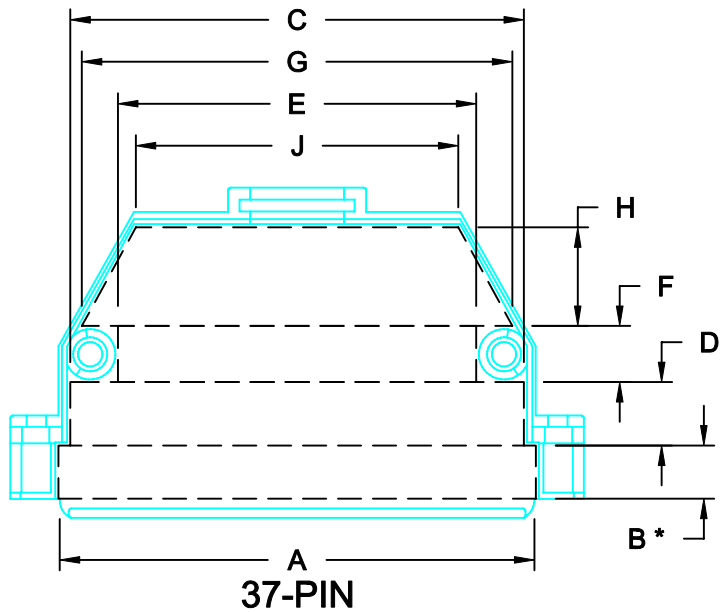
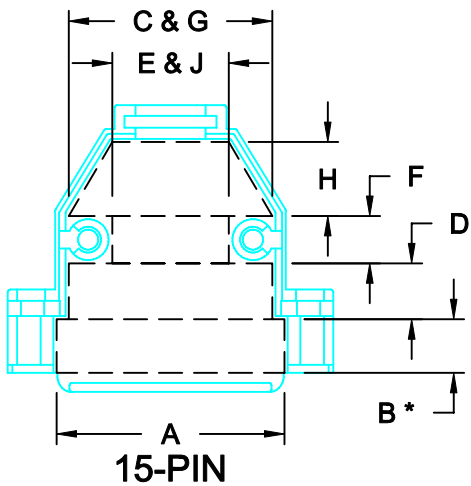
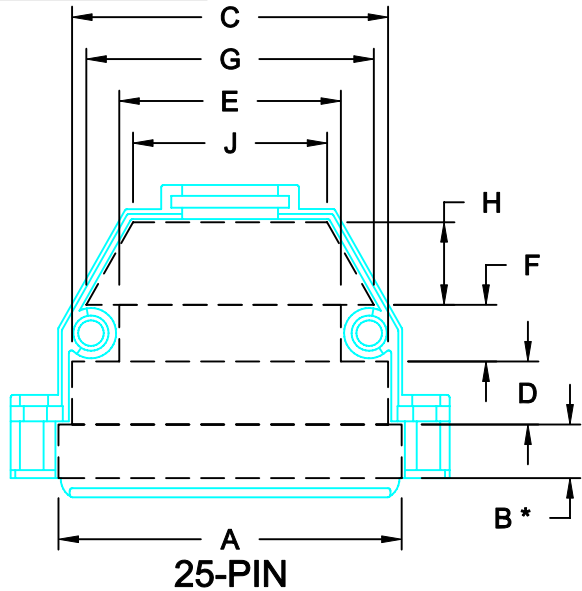
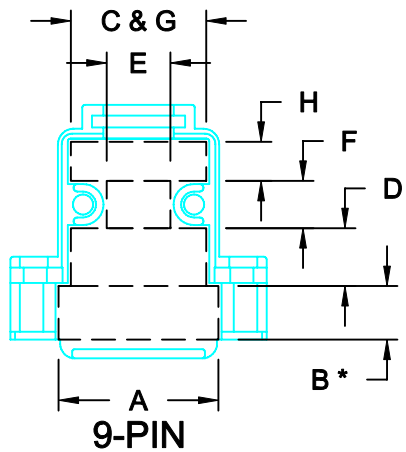


DESCRIPTION: INTERNAL DIMENSIONS - PLASTIC & METALIZED PLASTIC



	DIMENSIONS (IN.)				
	9	15	25	37	50
A	0.762	1.086	1.635	2.262	2.192
B*	0.256	0.256	0.256	0.254	0.256
C	0.645	0.970	1.506	2.162	2.063
D	0.276	0.267	0.301	0.303	0.295
E	0.304	0.555	1.056	1.707	1.619
F	0.226	0.226	0.270	0.268	0.270
G	0.304	0.970	1.370	2.052	1.906
H	0.186	0.353	0.394	0.470	0.475
J		0.555	0.925	1.537	1.379
PCB	0.432	0.428	.0423	0.427	0.540

SEE NOTE 1. →

SEE NOTE 2. →

NOTE:

1. "B" DIMENSION MEASURED FROM BACK SIDE OF CONNECTOR FLANGE
2. MIN. SAFE SPACING BETWEEN BACK SHELLS FOR PCB AND MOUNTED COMPONENTS
3. THESE DIMENSIONS ARE GOOD FOR THE PLASTIC AND METALIZED PLASTIC BACK SHELLS

PLASTIC & METALIZED PLASTIC



THESE DRAWINGS AND SPECIFICATIONS ARE THE PROPERTY OF NorComp AND SHALL NOT BE REPRODUCED, COPIED OR USED AS THE BASIS FOR THE MANUFACTURE OF SALE OF APPARATUS WITHOUT WRITTEN PERMISSION.

DRAWN: C. SMITH

DATE: 06-30-06

CHECKED: X

DATE: X

NorComp

SCALE: N.T.S. SHEET 1 OF 1 REV 0

DWG NO. ID - 973 SERIES

RoHS COMPLIANT