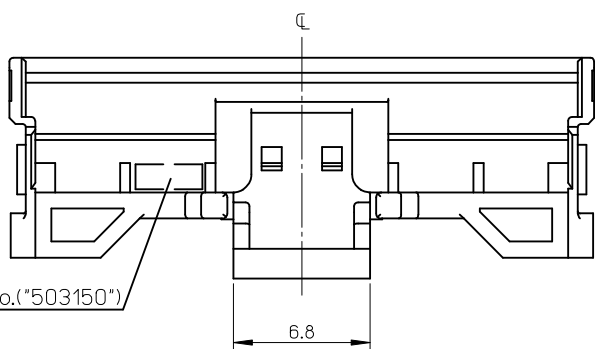
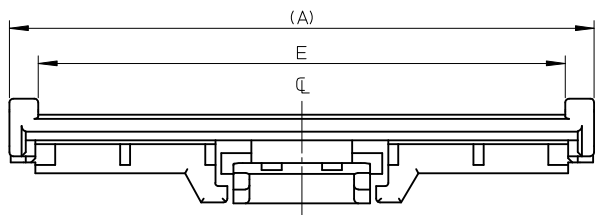
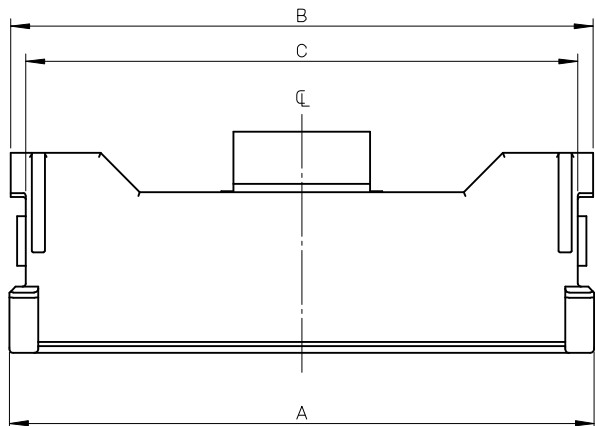


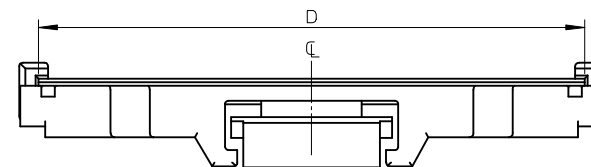
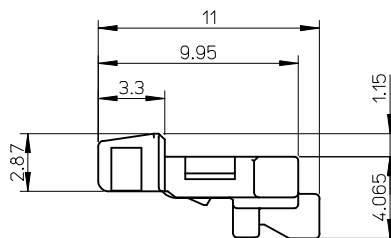
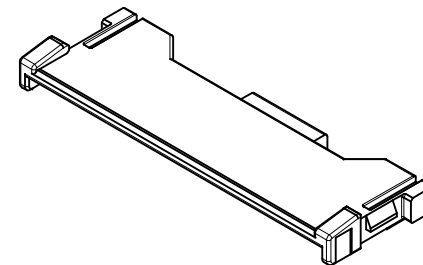
ELV AND RoHS COMPLIANT.



E.G.N. No. ("503150")

注記 NOTE

- 適合プラグジャケットカバー: 503151-****
APPLICABLE PLUG JACKET COVER : 503151-****
- 材質
MATERIAL
PBT, UL94V-0, 色: 黒色
PBT, UL94V-0, COLOR: BLACK



26.2	27.16	27.46	28.96	29.08	503150-5009	50
E	D	C	B	A	PLASTIC BAG	CKTS.
					ORDER NO. オーダー番号	

REVISED EC NO: J2009-1709 DRWN: TNAGAWA01 2009/01/14 CHKD: HMATSUMOTO 2009/01/14 APPR: NUKITA 2009/01/14	DESCRIPTION	GENERAL TOLERANCES (UNLESS SPECIFIED)		DIMENSION STYLE	SCALE	DESIGN UNITS	THIRD ANGLE PROJECTION
		10 UNDER	± 0.2	MM ONLY	///	METRIC	
		10 OVER 30 UNDER	± 0.25				
		30 OVER	± 0.3				
A	REV	ANGULAR	± 1 °	DRAWN BY DATE M. NABEI '08/07/07		TITLE 0.5 FFC TO BOARD CONN. PLUG JACKET	
		DRAFT WHERE APPLICABLE MUST REMAIN WITHIN DIMENSIONS		CHECKED BY DATE K. MORIKAWA '08/07/07	MOLEX INCORPORATED		
				APPROVED BY DATE H. HIRATA '08/07/07	DOCUMENT NO.	SHEET NO.	
				MATERIAL NO.	SEE TABLE	SD-503150-001	1 OF 1
				SIZE	THIS DRAWING CONTAINS INFORMATION THAT IS PROPRIETARY TO MOLEX INCORPORATED AND SHOULD NOT BE USED WITHOUT WRITTEN PERMISSION		