



DATA SHEET

SNAP Engine 200 Series

Model Number: RF200

Part Numbers: RF200PD1 and RF200PF1

©2008-2014 Synapse, All Rights Reserved. All Synapse products are patent pending. Synapse, the Synapse logo, SNAP, and Portal are all registered trademarks of Synapse Wireless, Inc.

Doc# 430133-01D

6723 Odyssey Drive // Huntsville, AL 35806 // (877) 982-7888 // Synapse-Wireless.com

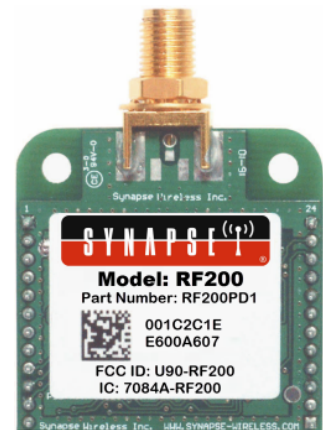
SNAP Engine 200 Series Modules Overview

The SNAP Engine 200 Series (Model Number RF200) is an IEEE 802.15.4, low power, highly-reliable solution to embedded wireless control and monitoring network needs that require high data rates. The RF200 embeds Synapse's SNAP OS, the industry's first Internet-enabled, wireless mesh network operating system into the Atmel ATmega128RFA1 single-chip AVR® microcontroller with an integrated transceiver that delivers up to 2Mbps/sec. These low-cost modules can have a range of up to three miles and current consumption as low as 1.6 μ A to enable a new generation of battery-driven systems.

SNAP's on-board Python interpreter provides for rapid application development and over-the-air programming, while Atmel's low-power RF single-chip design saves board space and lowers the overall Bill of Materials and power consumption. The RF200 is approved as an FCC Part 15 unlicensed modular transmitter. The modules provide up to 16 channels of operation in the ISM 2.4GHz frequency band. The RF200 module contains both a power amplifier for transmission and a low noise amplifier in the receive path for extended range.

This Data Sheet details part numbers RF200PD1 and RF200PF1:

- 20 GPIO and up to 7 A/D inputs
- 128k flash, 58.5k free for over-the-air uploaded user apps
- Two UART ports for control or transparent data which surmounts noisy environments
- Low power modes: 1.6 μ A with internal timer running
- Spread spectrum (DSSS) technology
- Socket-able or solder-able
- Up to 2 Mbps Data Rate
- 2.4 GHz RF Frequency
- Spread Spectrum (DSSS) technology
- AES 128-bit encryption
- RF200PD1: SMA antenna (3 miles LoS at 250Kbps)
- RF200PF1: F-Antenna (2.5 miles LoS at 250Kbps)
- 4K internal EEPROM
- 6 PWM outputs



The RF200 is also available with a U.FL connector. Contact Synapse for details.

Specifications

Table 1.1: RF200PD1/RF200PF1 Specifications at 25° C

Performance	Outdoor LOS Range	RF200PD1: Up to 3 miles at 250Kbps RF200PF1: Up to 2.5 miles at 250Kbps
	Transmit Power Output	15 dBm
	RF Data Rate	250Kbps, 500Kbps, 1Mbps, 2Mbps
	Receiver Sensitivity	-103 dBm (1% PER)
Power Requirements	Supply Voltage	2.7 - 3.6 V
	Transmit Current (Typ@3.3V)	80mA
	Idle/Receive Current (Typ@3.3V)	20mA
	Power-down Current (Typ@3.3V)	1.6uA
General	Frequency	ISM 2.4 GHz
	Spreading Method	Direct Sequence (DSSS)
	Modulation	O-QPSK
	Dimensions	1.333" x 1.333"
	Operating Temperature	- 40 to 85 deg C.
	Antenna Options	RF200PD1: External RPSMA RF200PF1: F- antenna
Networking	Topology	SNAP
	Error Handling	Retries and acknowledgement
	Number of Channels	16
Available I/O	UARTS with HW Flow Control	2 Ports - 8 total I/O
	GPIO	20 total; 7 can be analog-in with 10bit ADC
Agency Approvals	FCC Part 15.247	FCC ID: U9O-RF200
	Industry Canada (IC)	IC: 7084A-RF200
	CE available as a custom part. Call for details.	

Module Pin Definitions

Table 1.2: RF200PD1 / RF200PF1 Module Pin Assignments

Pin	SNAPpy IO	Name	Description
1		GND	Power Supply
2	7	GPIO0/OC0A/OC1C/PCINT7/PB7	GPIO_0, PWM, or Interrupt

Pin	SNAPpy IO	Name	Description
3	6	GPIO1/OC1B/PCINT6/PB6	GPIO_1, PWM, or Interrupt
4	5	GPIO2/OC1A/PCINT5/PB5	GPIO_2, PWM, or Interrupt
5	16	GPIO3/RXD0/PCINT8/PE0	GPIO_3, Interrupt, or UART0 Data Input
6	17	GPIO4/TXD0/PE1	GPIO_4, UART0 Data Output
7	20	GPIO5/OC3B/INT4/PE4	GPIO_5, PWM, Interrupt, or UART0 CTS Output
8	21	GPIO6/OC3C/INT5/PE5	GPIO_6, PWM, Interrupt, or UART0 RTS Input
9	10	GPIO7/RXD1/INT2/PD2	GPIO_7, Interrupt, or UART1 Data Input
10	11	GPIO8/TXD1/INT3/PD3	GPIO_8, Interrupt, or UART1 Data Output
11	12	GPIO9/ICP1/PD4	GPIO_9, or UART1 CTS Output
12	23	GPIO10/ICP3/INT7/CLK0	GPIO_10, Interrupt, Clock Output, or UART1 RTS Input
13	24	GPIO11/ADC0/PF0	GPIO_11, or Analog In
14	25	GPIO12/ADC1/PF1	GPIO_12, SPI MOSI, or Analog In
15	26	GPIO13/ADC2/DIG2/PF2	GPIO_13, SPI SCLK, Antenna Diversity, or Analog In
16	18	GPIO14/XCK0/AIN0/PE2	GPIO_14, SPI MISO, USART CLK, Analog Comparator, or Analog In
17	28	GPIO15/ADC4/TCK/PF4	GPIO_15, JTAG TCK, or Analog In
18	29	GPIO16/ADC5/TMS/PF5	GPIO_16, JTAG TMS, or Analog In
19	30	GPIO17/ADC6/TDO/PF6	GPIO_17, JTAG TDO, I ² C SDA, or Analog In
20	31	GPIO18/ADC7/TDI/PF7	GPIO_18, JTAG TDI, I ² C SCL, or Analog In
21		VCC	Power Supply
22	19	GPIO19/OC3A/AIN1/PE3	GPIO_19, PWM, Analog Comparator
23		RESET	Module Reset, Active Low
24		GND	Power Supply

Electrical Characteristics

Table 1.3: RF200PD1 / RF200PF1 DC Characteristics at 25° C

Symbol	Parameter	Condition	Min	Typ	Max	Units
V_{CC}^1	Supply Voltage		2.7	3.3	3.6	V

¹ Absolute maximum stress rated voltage for VCC is -0.3 to 3.6. It is recommended that bulk capacitance be located as close as possible to the VCC pin on the host board. Ideally, use a single 47µF capacitor at 10V directly at the VCC pin.

Symbol	Parameter	Condition	Min	Typ	Max	Units
T _{OP}	Operating Temp		-40		85	°C
T _{STOR}	Storage Temp		-40		125	°C
V _{IH}	Input Hi Voltage	All Digital Inputs	V _{CC} - 0.4			V
V _{IL}	Input Low Voltage	All Digital Inputs			0.4	V
V _{OL}	Output Low Voltage	All drive strengths (2,4,6,8 mA)			0.4	V
V _{OH}	Output High Voltage	All drive strengths (2,4,6,8 mA)	V _{CC} - 0.4			V
I _{LIN}	In Leakage Current	V _{IN} =V _{CC} or V _{SS} , all Pins			TBD	uA
TX-I _{CC}	Transmit Current	V _{CC} = 3.3V		80		mA
RX-I _{CC}	Receive Current	V _{CC} = 3.3V		20		mA
SHDN-I _{CC}	Sleep Current	V _{CC} = 3.3V		1.6		uA

Table 1.4: ADC Electrical Characteristics (Operating)

Symbol	Parameter	Condition	Min	Typical	Max	Unit
V _{REFH} ²	Voltage Reference, High	Programmable	1.5	1.6	1.8	V
V _{INDC}	Analog input voltage	Single Ended	0		1.8	V
		Differential ³	0		3.3	

Table 1.5: ADC Timing/Performance Characteristics

Symbol	Parameter	Condition	Min	Typical	Max	Unit
R _{AS}	Source impedance at input ⁴				3k	kΩ
RES	Conversion Resolution	Single Ended CLKADC ≤ 4MHz		10		Bits
DNL	Differential non-linearity	V _{REFH} = 1.6V CLKADC=4MHz	-0.5			LSB
INL	Integral non-linearity	V _{REFH} = 1.6V CLKADC=4MHz		0.8		LSB
E _{ZS}	Zero-scale error			1.5		LSB
E _G	Gain error			1		LSB

² VREFH is programmable to three fixed values; 1.5V, 1.6V, and 1.8V. The default is 1.6V.

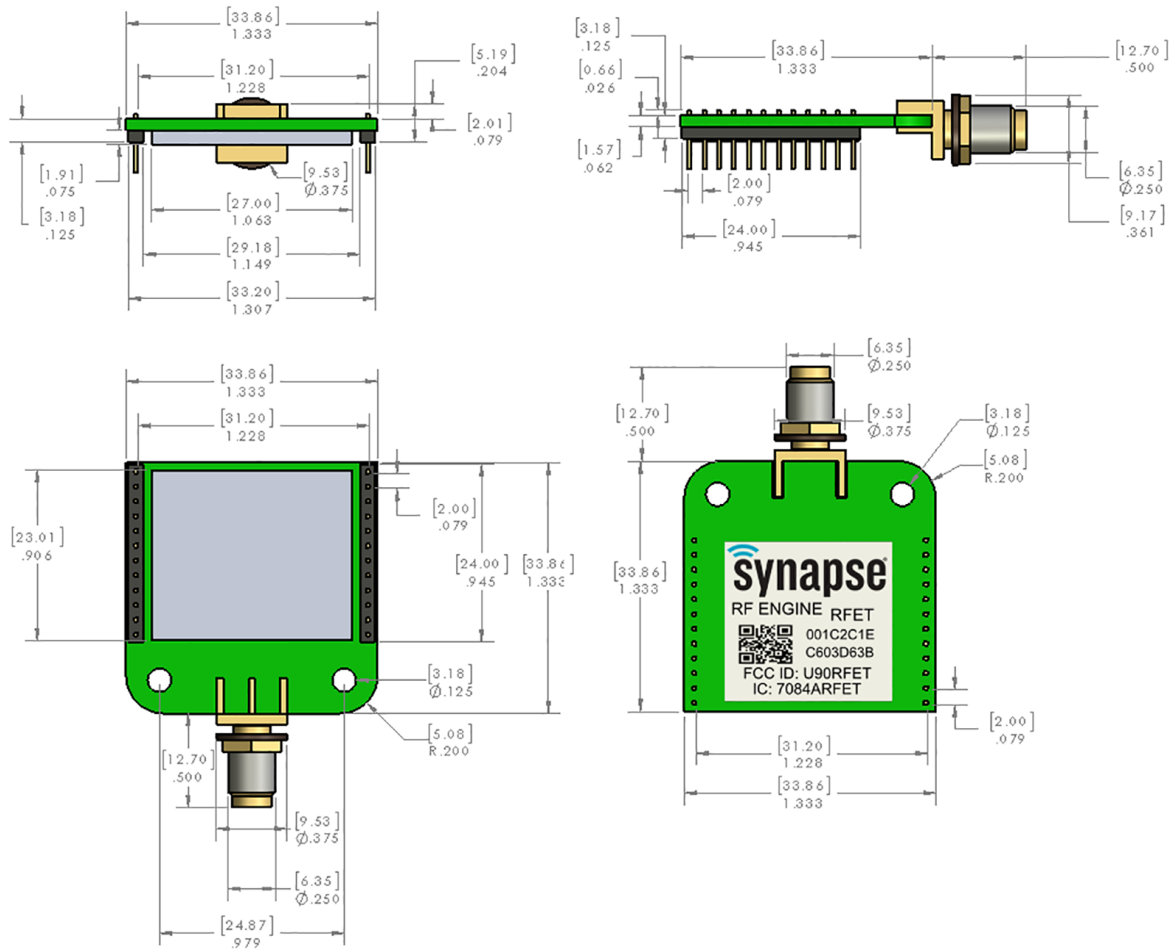
³ Each differential analog input may be as high as 3.3V but the differential voltage is still limited.

⁴ Any analog source with a source impedance greater than 3kΩ will increase the sampling time.

Mechanical Drawings

These drawings in **Figure 1.1** show the module with the RPSMA connector for use with an external antenna, and the keep out area for the F-antenna.

NOTE: The area under the module's antenna (marked NO COPPER or KEEP OUT AREA) should have no components, no traces, and no copper on any layer of the printed circuit board.



NOTE: Metric measurements are between brackets, with standard measurements below.

Figure 1.1: Mechanical drawings of the RF200PD1 and RF200PF1 Modules

Board Mounting Considerations

The RF200PD1 and RF200PF1 modules are designed to mount into a receptacle (socket) on the host board. **Figure 1.2** shows an RF200PD1 module plugged into a host board. The receptacle sockets are on standard 2mm centers. Suggested receptacles to be used on the host are:

Thru-hole receptacle	Samtec	MMS-112-01-L-SV
Surface mount receptacle	Samtec	MMS-112-02-L-SV

It is recommended that the mounting holes provided in the module on either side of the SMA connector be used with supporting mounting hardware to hard mount the module to either the host board or to the enclosure to handle the mechanical stresses that can occur when an external antenna is screwed into the SMA. **Figure 1.2** shows the RF200PD1 with SMA connector mounted to the host board.

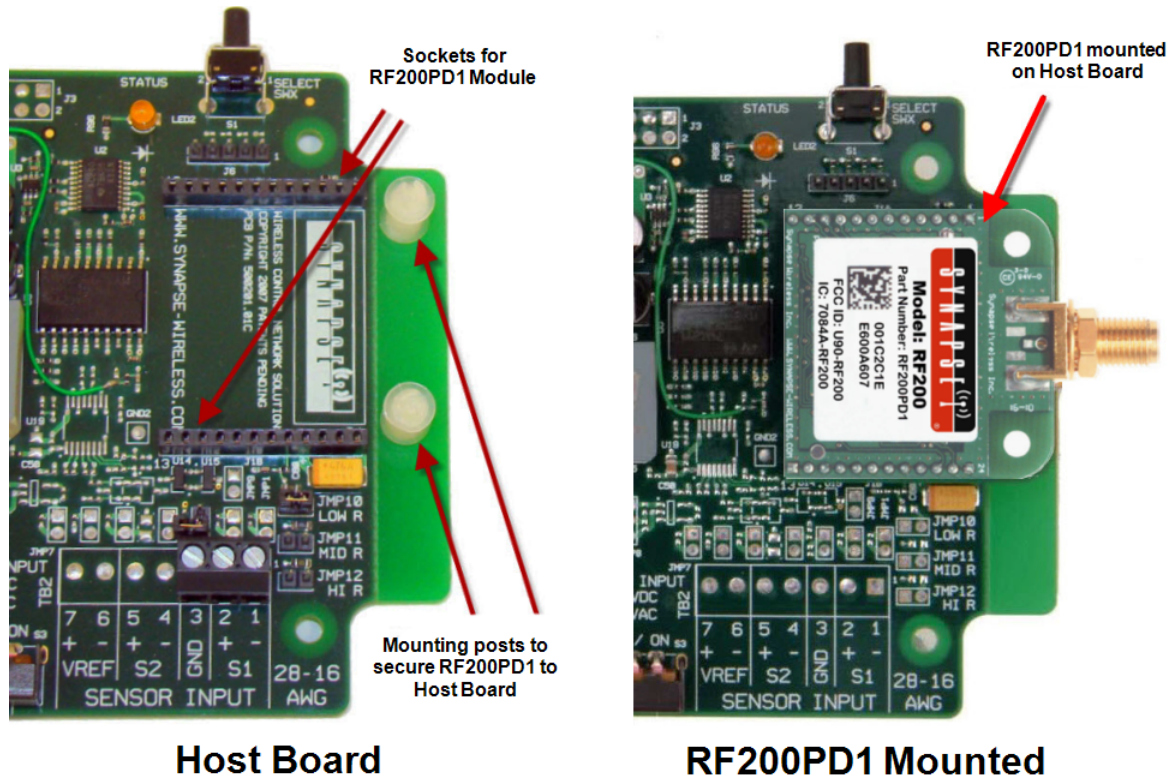


Figure 1.2: RF200PD1 Mounted To Host Board

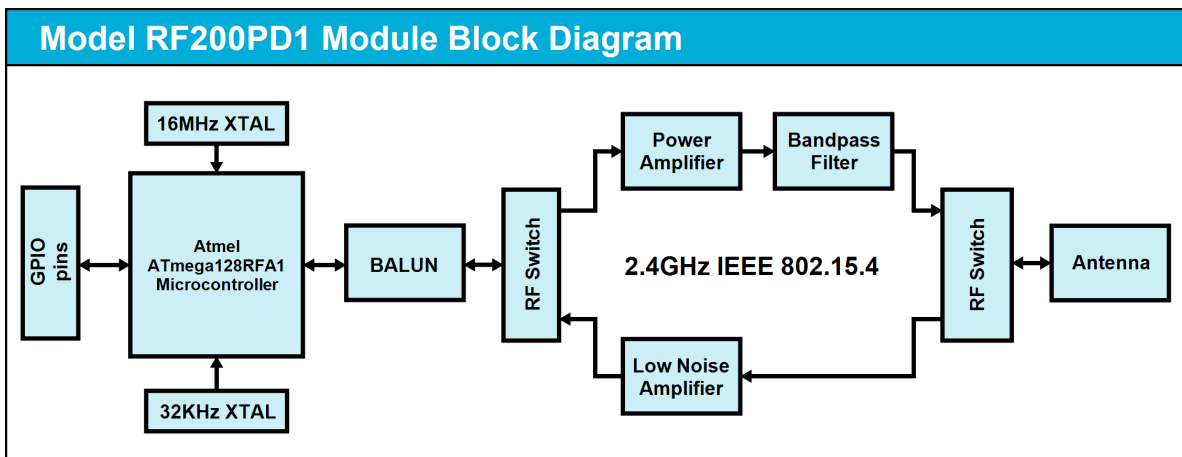


Figure 1.3: Block diagram showing the major subsystems comprising the RF200

Agency Certifications

United States (FCC)

The Model RF220 modules comply with Part 15 of the FCC rules and regulations. Compliance with the labeling requirements, FCC notices, and antenna usage guidelines is required. In order to comply with FCC Certification requirements, the Original Equipment Manufacturer (OEM) must fulfill the following requirements.

1. The system integrator must place an exterior label on the outside of the final product housing the RF200 Modules. **Figure 2.1** below shows the contents that must be included on this label.
2. RF200 Modules may only be used with the antenna that has been tested and approved for use with the module. Please refer to the antenna table provided in this section.

OEM Labeling Requirements

NOTICE: The OEM must make sure that FCC labeling requirements are met. This includes a clearly visible exterior label on the outside of the final product housing that displays the contents shown in **Figure 2.1** below.

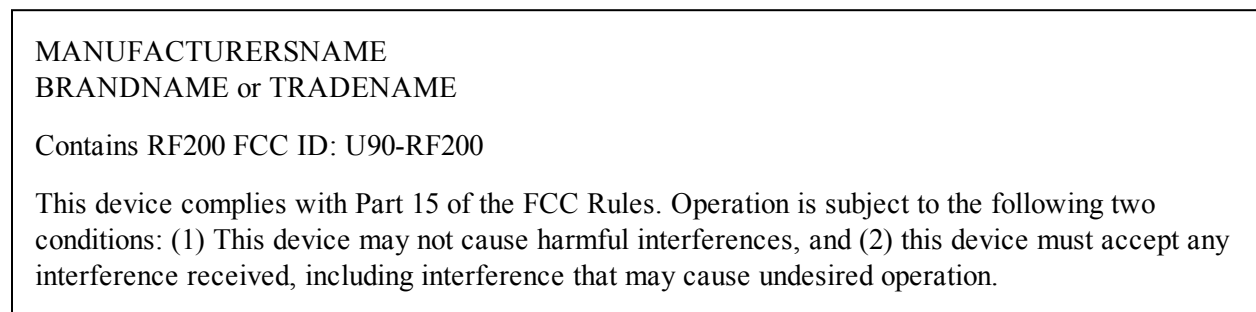


Figure 2.1: FCC Label

FCC Notices

WARNING! The RF200 modules have been tested by the FCC for use with other products without further certification (as per FCC Section 2.1091). Changes or modifications to this device not expressly approved by Synapse Wireless Inc. could void the user's authority to operate the equipment.

NOTICE: OEM's must certify final end product to comply with unintentional radiators (FCC Sections 15.107 and 15.109) before declaring compliance of their final product to Part 15 of the FCC Rules.

NOTICE: The RF200 modules have been certified for remote and base radio applications. If the module will be used for portable applications as defined by the FCC, the device must undergo SAR testing.

This equipment has been tested and found to comply with the limits for a Class B digital device, pursuant to Part 15 of the FCC Rules. These limits are designed to provide reasonable protection against harmful

interference in a residential installation. This equipment generates, uses, and can radiate radio frequency energy, and if not installed and used in accordance with the instructions, may cause harmful interference to radio communications. However, there is no guarantee that interference will not occur in a particular installation.

If this equipment does cause harmful interference to radio or television reception, which can be determined by turning the equipment off and on, the user is encouraged to try to correct the interference by one or more of the following measures:

- Reorient or relocate the receiving antenna.
- Increase the separation between the equipment and receiver.
- Connect the equipment into an outlet on a circuit different from that to which the receiver is connected.
- Consult the dealer or an experienced radio/TV technician for help.

FCC Approved Antennas

The RF200 modules are FCC-approved for fixed base station and mobile applications.

Notice: To reduce potential radio interference to other users, the antenna type and its gain should be chosen so that the equivalent isotropically radiated power (EIRP) is not more than that permitted for successful communication. The RF200PD1 module has been designed to operate with the antennas listed below in **Table 2.1**. The required antenna impedance is 50 ohms. The RF200PF1 has a built-in F-antenna.

Table 2.1: Approved FCC Antennas

Part Number	Type	Gain	Application	Min. Separation
L-com HG2405RD-RSP*	Dipole (quarter-wave RPSMA)	5.5 dBi	Fixed/Mobile	20 cm.
Pulse W1027	Dipole (quarter-wave RPSMA)	3.2 dBi	Fixed/Mobile	20 cm.

* The 5.5 dBi antenna is approved for use in cases that are approved in writing by Synapse.

For more information on approved antennas, please consult the manufacturer's website.

WARNING! RF Exposure: This equipment complies with FCC radiation exposure limits set forth for an uncontrolled environment. This equipment should be installed and operated with minimum distance 20cm between the radiator and your body. This transmitter must not be co-located or operating in conjunction with any other antenna or transmitter.

NOTICE: The preceding statement must be included as a CAUTION statement in OEM product manuals in order to alert users of FCC RF exposure compliance.

NOTE: Antenna and transmitters may be co-located or operated in conjunction with this device only if the transmitters do not simultaneously transmit. Otherwise, additional regulatory requirements will apply.

Canada (IC)

This device complies with Industry Canada license-exempt RSS standard(s). Operation is subject to the following two conditions: (1) this device may not cause interference, and (2) this device must accept any interference, including interference that may cause undesired operation of the device.

Le présent appareil est conforme aux CNR d'Industrie Canada applicables aux appareils radio exempts de licence. L'exploitation est autorisée aux deux conditions suivantes : (1) l'appareil ne doit pas produire de brouillage, et (2) l'utilisateur de l'appareil doit accepter tout brouillage radioélectrique subi, même si le brouillage est susceptible d'en compromettre le fonctionnement.

Under Industry Canada regulations, this radio transmitter may only operate using an antenna of a type and maximum (or lesser) gain approved for the transmitter by Industry Canada. To reduce potential radio interference to other users, the antenna type and its gain should be so chosen that the equivalent isotropically radiated power (EIRP) is not more than that necessary for successful communication.

Conformément à la réglementation d'Industrie Canada, le présent émetteur radio peut fonctionner avec une antenne d'un type et d'un gain maximal (ou inférieur) approuvé pour l'émetteur par Industrie Canada. Dans le but de réduire les risques de brouillage radioélectrique à l'intention des autres utilisateurs, il faut choisir le type d'antenne et son gain de sorte que la puissance isotrope rayonnée équivalente (p.i.r.e.) ne dépasse pas l'intensité nécessaire à l'établissement d'une communication satisfaisante.

This radio transmitter Model: RF200, IC: 7084A-RF200 has been approved by Industry Canada to operate with the antenna types listed below with the maximum permissible gain and required antenna impedance for each antenna type indicated. Antenna types not included in this list, having a gain greater than the maximum gain indicated for that type, are strictly prohibited for use with this device.

Le présent émetteur radio Model: RF200, IC: 7084A-RF200 a été approuvé par Industrie Canada pour fonctionner avec les types d'antenne énumérés ci-dessous et ayant un gain admissible maximal et l'impédance requise pour chaque type d'antenne. Les types d'antenne non inclus dans cette liste, ou dont le gain est supérieur au gain maximal indiqué, sont strictement interdits pour l'exploitation de l'émetteur.

Table 2.2: Approved IC Antennas

Part Number	Type	Gain	Application	Min. Separation
Pulse W1027	Dipole (quarter-wave RPSMA)	3.2 dBi	Fixed/Mobile	20 cm.

OEM Labeling Requirements for the European Union

The “CE” mark must be placed on the OEM product in a visible location. The CE mark will consist of the Initials “CE” with the following form:

If the CE marking is reduced or enlarged, the proportions given in the following drawing must be adhered to.

The CE mark must be a minimum of 5mm in height.

The CE marking must be affixed visibly, legibly, and indelibly.



Since the 2400-2483.5 MHz band is not harmonized by a few countries throughout Europe, the Restriction sign must be placed to the right of the CE marking as shown in the drawing.

Labeling requirements for Industry Canada are similar to those of the FCC. A clearly visible label on the outside of the final product housing must display the contents shown in **Figure 2.2** below.



Figure 2.2: IC Label

NOTE: The OEM can choose to implement a single label combined for both FCC and IC labeling requirements. If a combined single label is chosen, there must be a clearly visible label on the outside of the final product housing displaying the contents shown in **Figure 2.3** below.

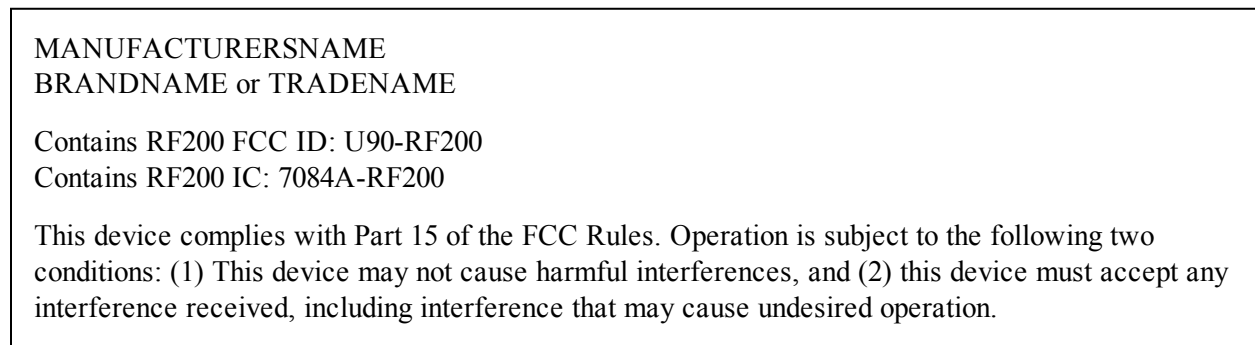


Figure 2.3: Combined FCC and IC Label

NOTE: The OEM can choose to implement a single label combined for FCC, CE and IC labeling requirements. If a combined single label is chosen, there must be a clearly visible label on the outside of the final product housing displaying the contents shown in **Figure 2.4**.

MANUFACTURERSNAME
BRANDNAME or TRADENAME

Contains RF200 FCC ID: U90-RF200

Contains RF200 IC: 7084A-RF200



This device complies with Part 15 of the FCC Rules. Operation is subject to the following two conditions: (1) This device may not cause harmful interferences, and (2) this device must accept any interference received, including interference that may cause undesired operation.

Figure 2.4: Combined FCC, CE and IC Label