



## Test Procedure for the LV5681PGEVB Evaluation Board

Prepare “DC POWER SUPPLY”, capability is 40V or more and 2.5A or more. And “Digital MULTIMETER”, and “ELECTRIC DC LOAD”

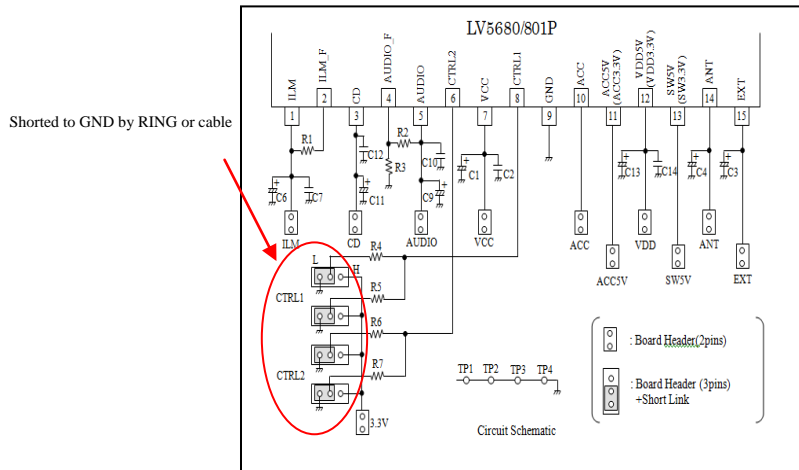


Fig1

### 1. Initial Setting

Refer to Fig1, In initial setting, “CTRL1”, “CTRL2” pins are shorted GND, and EXT, ANT, AUDIO, CD and ILM are low potential.

### 2. Measurement

- Connect VCC cable and GND cable.
- Bias VCC voltage. (Regarding bias voltage range, refer to Application note.)
- Next step remove 4 “Shorted Ring”. Then measure each EXT, ANT, SW5V, VDD, ACC5V, AUDIO, CD and ILM of voltage and Iq at no load. Then refer to below the descriptive text others characteristic of measurement.

### Line regulation

Line regulation is defined as the maximum change in output voltage as the input voltage is varied through the specified range. It is measured by changing the input voltage and measuring the minimum/maximum voltage of the output. Line regulation is defined as the difference between maximum and minimum voltage.

**Load regulation**

Load regulation is defined as the maximum change in output voltage as the load current is varied through the specified range. It is measured by changing the load current and measuring the minimum/maximum voltage of the output. Load regulation is defined as the difference between maximum and minimum voltage.

***Dropout voltage***

Dropout voltage is defined as the minimum input-to-output differential voltage at the specified load current required by the regulator to keep the output voltage in regulation. It is measured by reducing input voltage until the output voltage drops below the nominal value.

***Ripple rejection***

Ripple rejection is defined as the ratio of input ripple amplitude versus that of output.