

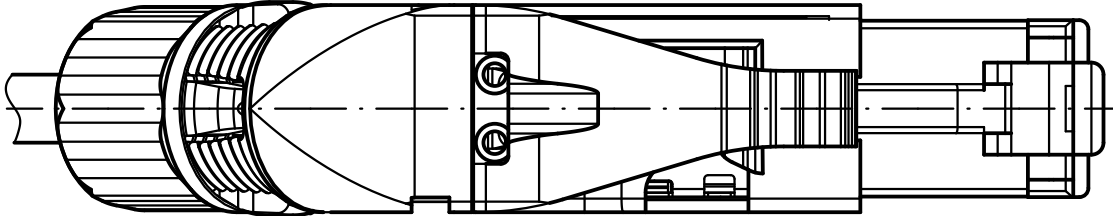
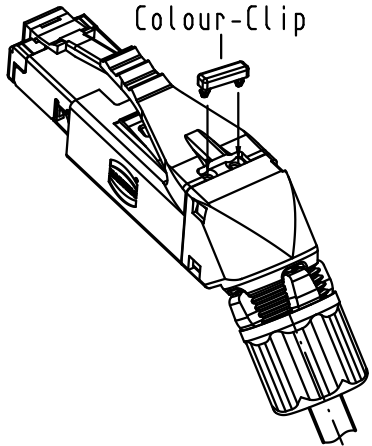
position — 1 8

mating face acc. to IEC 60603-7

nut M12x1 with cable clamping

cable $\phi 4,5$ up to $\phi 8$ mm

on request: colour-clip with RFID slot
TB 09 45 850 00xx



data contact plating: Au 1,27 μ m (50 μ in) over nickel

		Techn. Character.			Nicht tolerierte Maßel Free size tolerances	
			Dat.	Name	Maßstab/Scale 2 : 1	HARTING RJ Industrial 10G Plug, angled
		Detail.	26.03.12	hsv		
		Insp.	26.03.12	Li		
		Stand.				
36500		HARTING Electronics GmbH & Co. KG D-32339 ESPELKAMP				TB 09 45 151 1561
Mod.	Dat.	Name				
						Blatt/ page