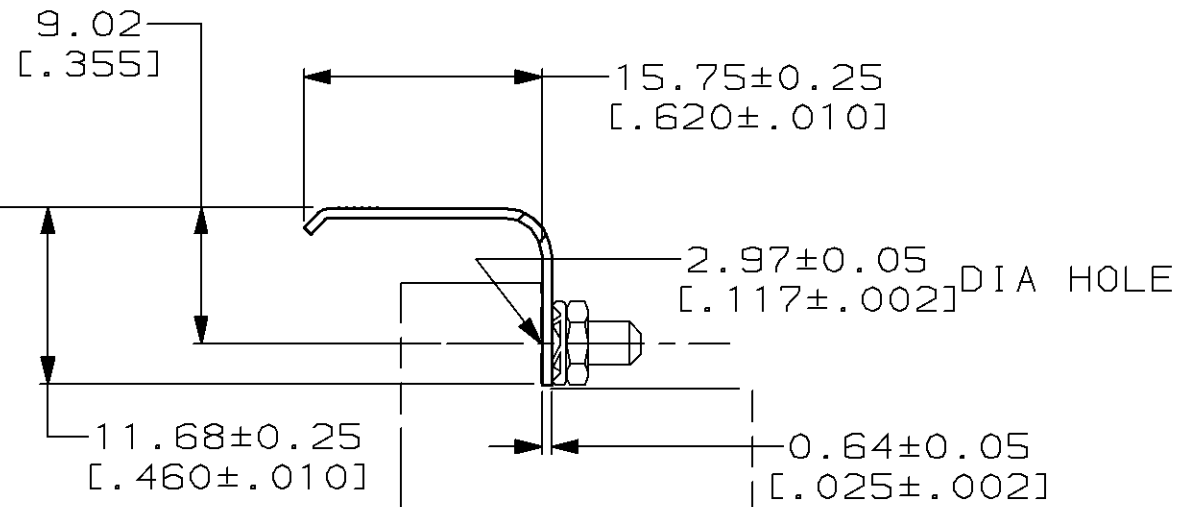
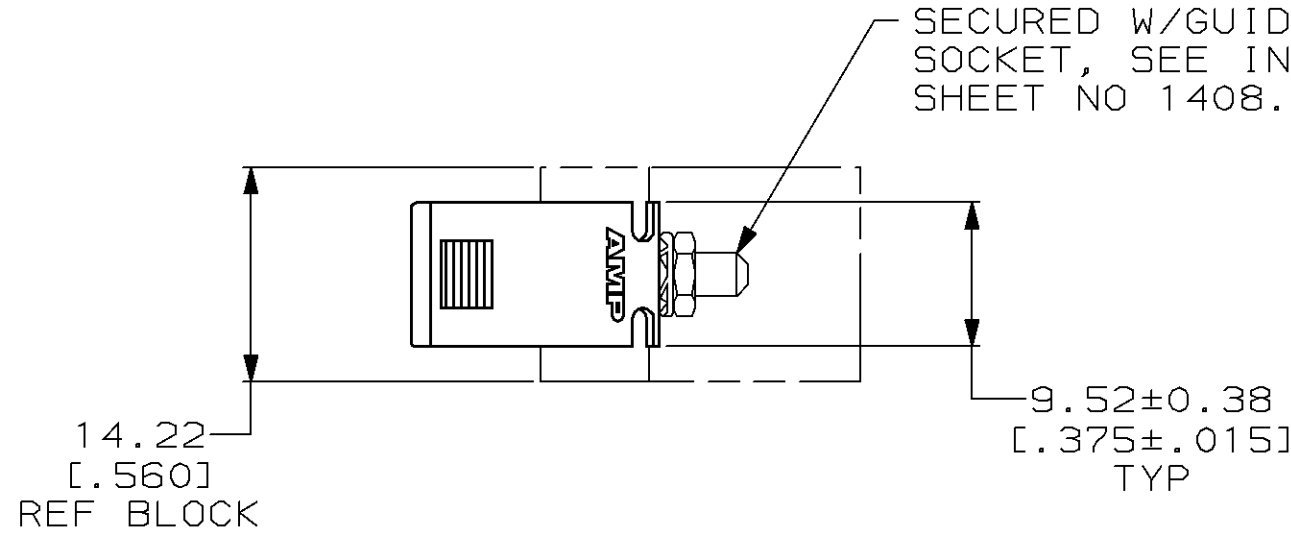


THIS DRAWING IS UNPUBLISHED. RELEASED FOR PUBLICATION ,19 .
 © COPYRIGHT 19 BY AMP INCORPORATED. ALL RIGHTS RESERVED.

LOC	DIST	REVISIONS			
P	LTR	DESCRIPTION	DATE	DWN	APVD
FT	8	G	REDRAWN W/O CHANGE PER EC 0020-287-96	05 JUN 96	-



67.61 [2.662] MAX FOR 21 POS
 51.74 [2.037] MAX FOR 26 POS

LOCKING SPRING
 2 EA

- FOR MATING PART (SPRING CATCH) SEE CUSTOMER DWG 201924.
- 0.51µm [0.000020] MIN NICKEL OVER COPPER FLASH.

201923-1
 PART NUMBER

THIS DRAWING IS A CONTROLLED DOCUMENT.		DWN C. REIFSNYDER 05 JUN 96	AMP AMP Incorporated Harrisburg, PA 17105-3608
DIMENSIONS: mm [INCHES]		CHK R. STONE 18 JUL 96	
TOLERANCES UNLESS OTHERWISE SPECIFIED:		APVD G. A. STEINHAUER 24 JUL 96	NAME LOCKING SPRING KIT, UNASSEMBLED, FOR 21 & 26 POSITION BLOCKS, M SERIES
0 PLC ±- 1 PLC ±- 2 PLC ±0.13 [0.005] 3 PLC ±- 4 PLC ±- ANGLES ±-		PRODUCT SPEC -	SIZE A3
MATERIAL CARBON STEEL ROCKWELL C45-50		APPLICATION SPEC -	CAGE CODE 00779
FINISH △		WEIGHT -	DRAWING NO C-201923
		CUSTOMER DRAWING	SCALE 2:1
			SHEET 1 OF 1
			REV G