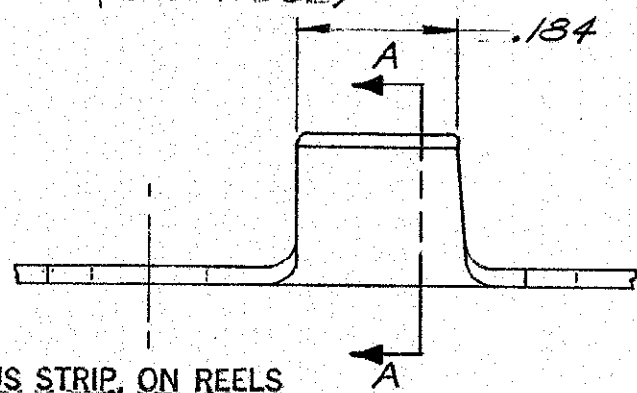
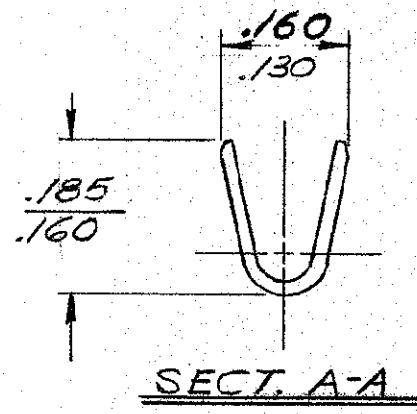
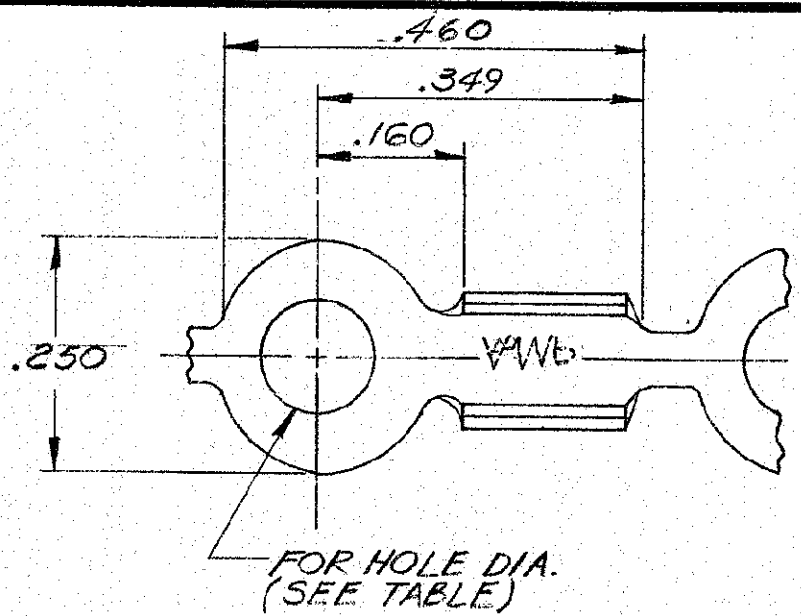


NUMBER 42054



2 PRELIMINARY - NOT FOR PRODUCTION.

CONTINUOUS STRIP, ON REELS

WIRE SIZE A.W.G.	STUD #	HOLE DIA. ±.003	MATERIAL AND FINISH	TERMINAL NUMBER	
18-14	4	.119	.025 BRASS-NONE	42054-0	OBSOLETE
18-14	6	.165	.025 BRASS-NONE	42054-1	
18-14	4	.119	.025 BRASS-TIN	42054-2	
18-14	6	.143	.025 BRASS-TIN	42054-3	OBS.
18-14	4	.119	.025 SST (304)	42054-4	OBS.
18-14	4	.119	.025 BRASS-NONE	42054-5	2

DIMENSIONS IN INCHES. DO NOT SCALE PRINT.

G	ADDED - 5' PER OG3A-0348-01	WNEF		30 MAY 2001
F	REV BARREL OG3A-0089-01	MF	DA	5FEB 2001
E	REV PER AF-6785	PMF	GT	7/1/99
D	OBS. - 3 OBS. - 4	AF-3432 AF-3432	TAS JT	7/1/99
C	OBS. - 1	AF-0586	SR	7/1/99
B	A-0216 REVISED, ADDED (304 SST)		GY	7/1/99
A	ADDED 42054-4 REMOVED FROM 42053		GY	7/1/99

©1960 BY AMP INCORPORATED. ALL RIGHTS RESERVED. AMP PRODUCTS COVERED BY PATENTS AND/OR PATENTS PENDING.

**CUSTOMER COPY
REFERENCE ONLY**



MATERIAL AND FINISH	
WIRE RANGE	INSULATION TYPE

LTR	REVISION RECORD	DR	CHK	DATE	TOLERANCE EXCEPT AS NOTED	SCALE	LOC	NO	REV
	B-1-68	DR	W.E. NEFF	8-9-68	AS NOTED	AS NOTED	AF A	42054	
	7-9-68	DR	R.P. Francis	8-9-68					

RING