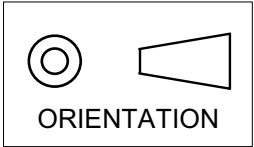
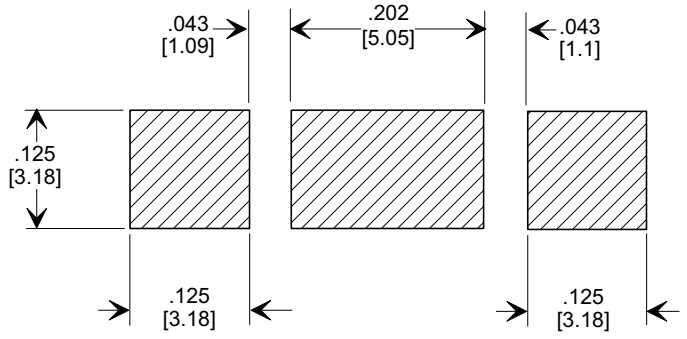
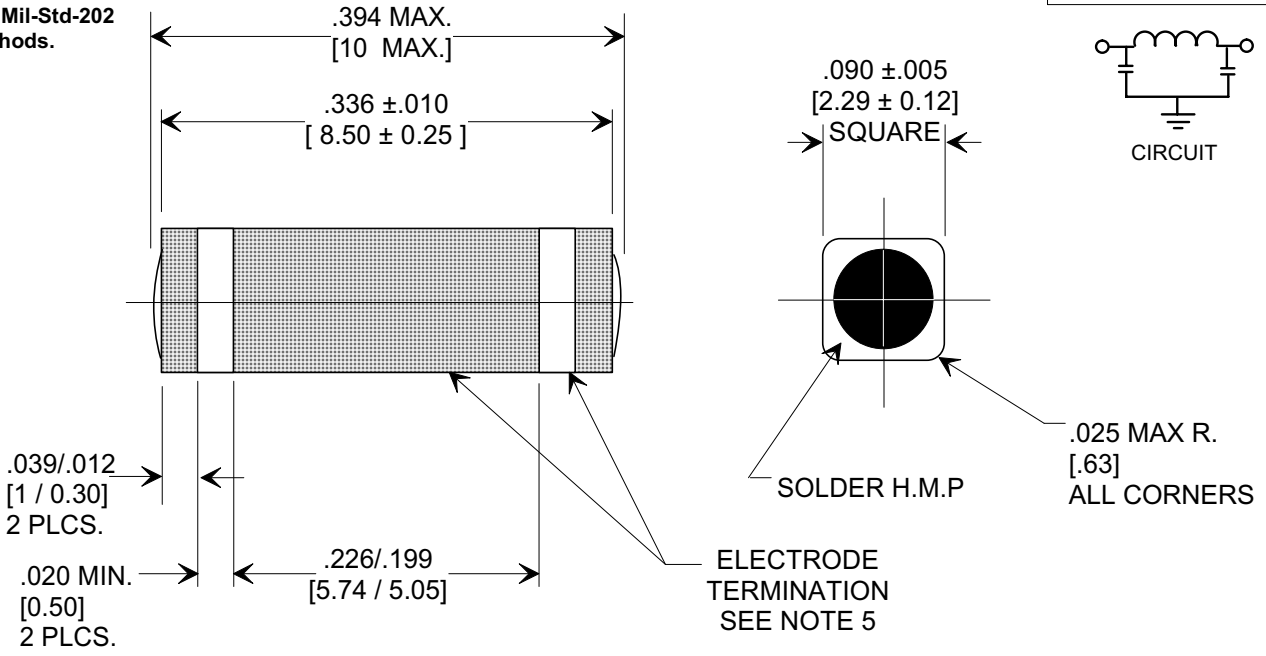


This drawing is the property of Tusonix, Inc., and may not be used, reproduced, published or disclosed to others without expressed authorization by Tusonix Inc.

**MARKETING SALES DRAWING**  
 DIMENSIONS IN INCHES - DO NOT SCALE THIS DRAWING  
 DIMENSIONS IN METRIC [ ]



**Electrical Testing**  
 per Tusonix standard  
 test plans and Mil-Std-202  
 Test Methods.



**SUGGESTED MOUNTING PATTERN**

**NOTES:**

1. INDUCTANCE TO BE 0.1 μH MINIMUM.
2. PACKAGE: BULK OR BLISTER TAPE TO IEC-60286-3 TYPE II AND EIA-481-A.
3. TUSONIX STANDARD PART NUMBER: 4701-002.  
 TUSONIX RoHS COMPLIANT PART NUMBER: 4701-002 LF.  
 CUSTOMER MUST SPECIFY STANDARD OR RoHS PART NUMBER WHEN ORDERING.
4. PART MARKING: STANDARD PART: NO MARKING. RoHS PART: LABELED ON PACKAGING ONLY.
5. ELECTRODE TERMINATION: STANDARD: 60/40 SOLDER. RoHS COMPLIANT: MATTE TIN.

CAP.	TOLERANCE	WVDC +85°C	TEST VOLTAGE	I.R.MIN. @ 100 (VDC.)	IDC	TYPICAL NO LOAD INSERTION LOSS dB AT 25°C PER MIL-STD-220		
						10 MHZ	100 MHZ	1 GHZ
6,800 pF	+80% / -20%	100	300 VDC	10 G Ω	10 A	16	60	70

REVISION RECORD	0	Original Release C.O. 950911-2	--TOLERANCES-- Unless Otherwise Specified  DECIMAL ± .005 [0.10]  ANGLES ±	Title <b>SURFACE MOUNT SQUARE STYLE PI FILTER</b>  Drawn EC 08-11-95 Scale 7 X  Approved NV 08-11-95
	6	20010918-3-03 REVISED DWG. DRAWING MADE FOR EACH VAR. S.M. 02-13-03		
	7	20030213-1-11 REVISED DRAWING. S.M. 03-23-03		
	8	20030619-2-11 ADDED NOTES 3,4 & 5. S.M. 06-23-05		
	9	20050617-3-03 ADDED PROPERTY NOTE. REMOVED ELE TERMINATION. NOTE 2 REVISED.S.M.03-12-07	<b>TUSONIX</b> TUCSON, ARIZONA	<b>A</b>
	10	20070301-1-11		

X-2015 Rev-0