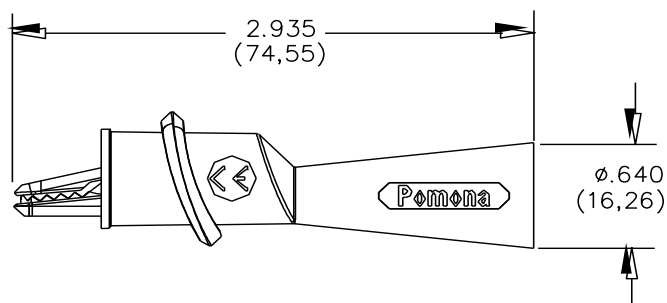


**Model 6264B****Alligator Clip with Flex Boot for standard test probe tip, .080" (2mm)****Features**

- Redesigned to meet IEC 61010-031, the latest international safety standard for test accessories.
- Medium alligator jaw grips onto test terminal up to 0.3" (7.6mm) O.D.
- Thermoplastic body and flexible boot offers insulation protection.
- Alligator clip features a recessed 2mm pin tip jack at the adapter end for added insulation protection. The pin tip jack also features internal threads for added mating with the Pomona 6601 Test Probes.
- Adapter converts a .080" (2mm) DMM probe tip to alligator clips for ease of testing.
- Interfaces to Pomona's Models 5519A, 6365, 6366, 5898 and 6601 Test Probes.

**Materials**

Alligator Clip:	Steel, nickel-plated
Jaw Insulation:	Polypropylene
Boot:	Santoprene™

**Ratings**

IEC 61010-031, Pollution Degree 2, 2000 m altitude  
Voltage: 1000 V CAT II / 600 V CAT III  
Temperature: -20°C to 55°C (-4°F to +131°F) 80% R.H.  
Current: 10 amperes max.

**Ordering Information**

Model: 6264B (Set of one Black, one Red Alligator Clips)

Medium Alligator Clips are also included in many Pomona DMM Test Lead Kits.

**USA:** Sales: 800-490-2361  
Technical Support: [technicalsupport@pomonatest.com](mailto:technicalsupport@pomonatest.com)  
Fax: 425-446-5844

**Europe:** 31-(0) 40 2675 150 **International:** 425-446-5500

**Where to Buy:** [www.pomonaelectronics.com](http://www.pomonaelectronics.com)

All dimensions are in inches. Tolerances (except noted): .xx = ±.02" (.51 mm), .xxx = ±.005" (.127 mm). All specifications are to the latest revisions. Specifications are subject to change without notice. Registered trademarks are the property of their respective companies.