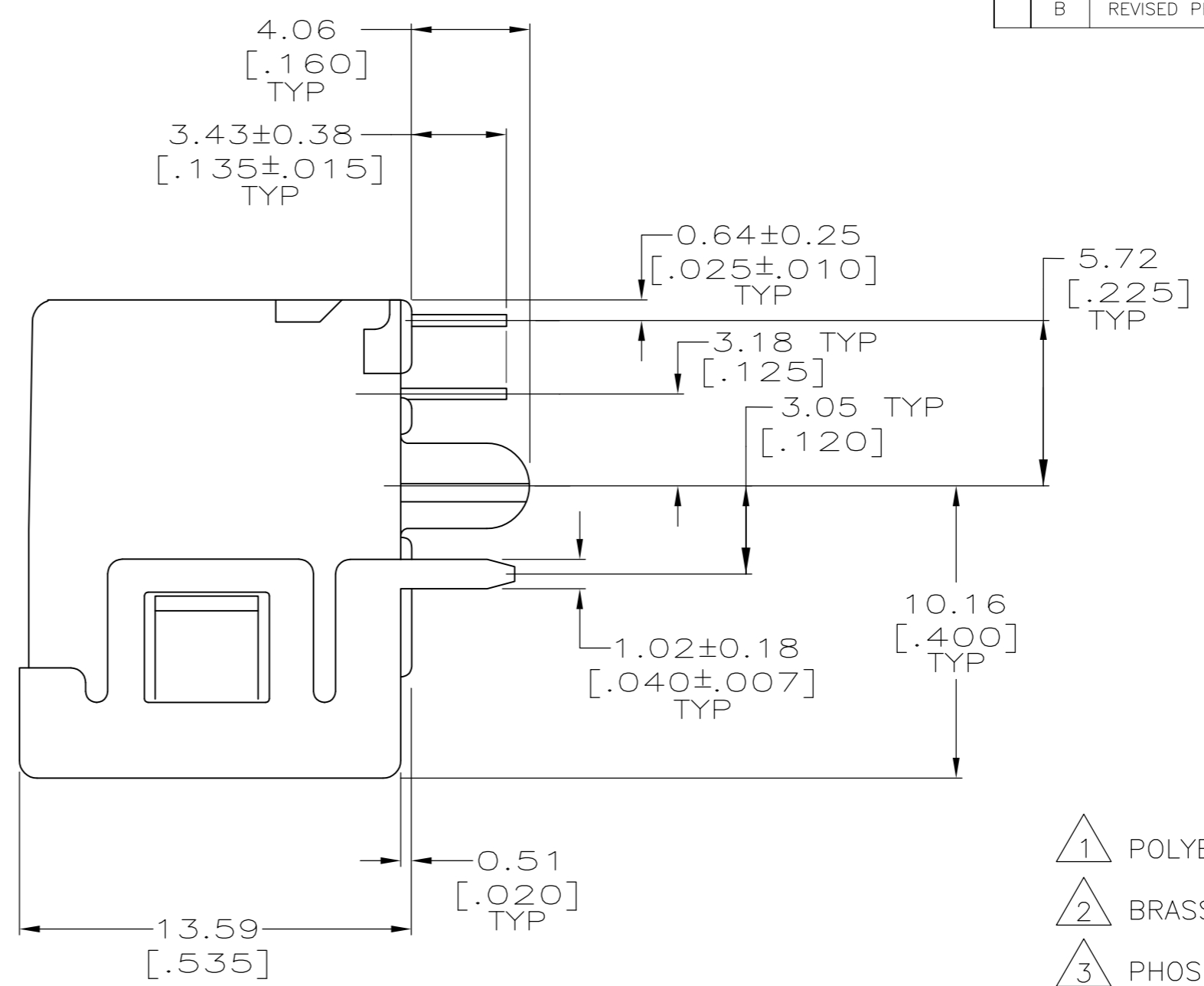
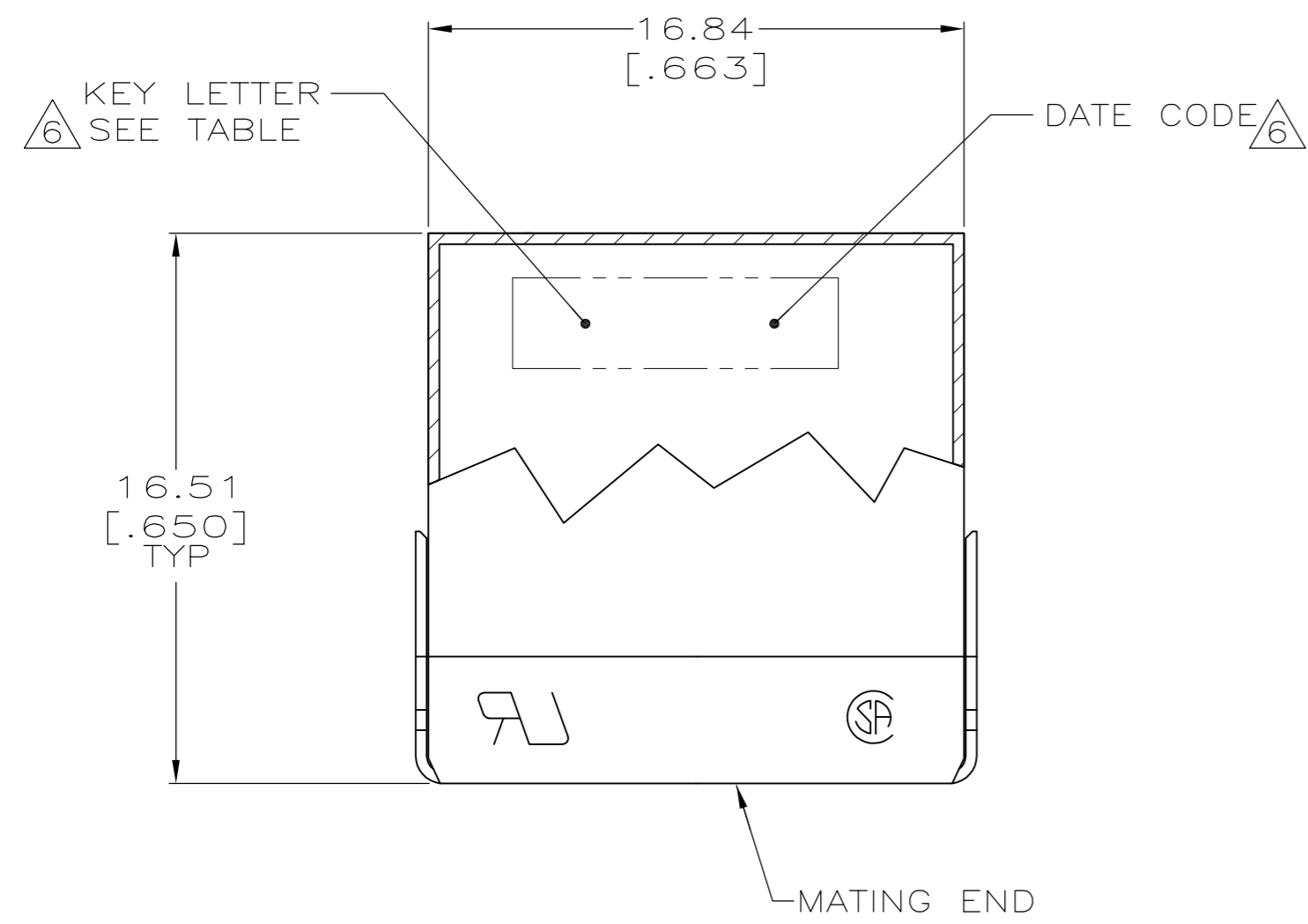
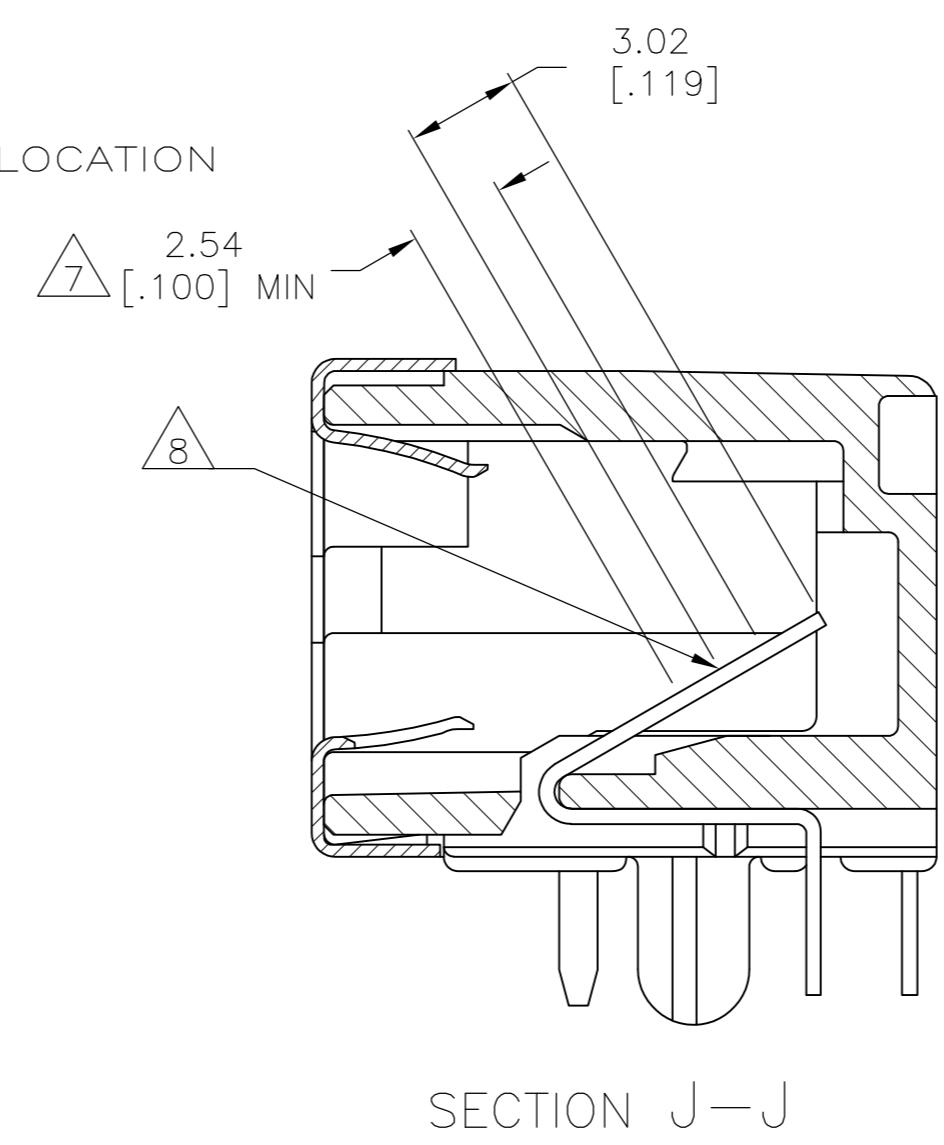
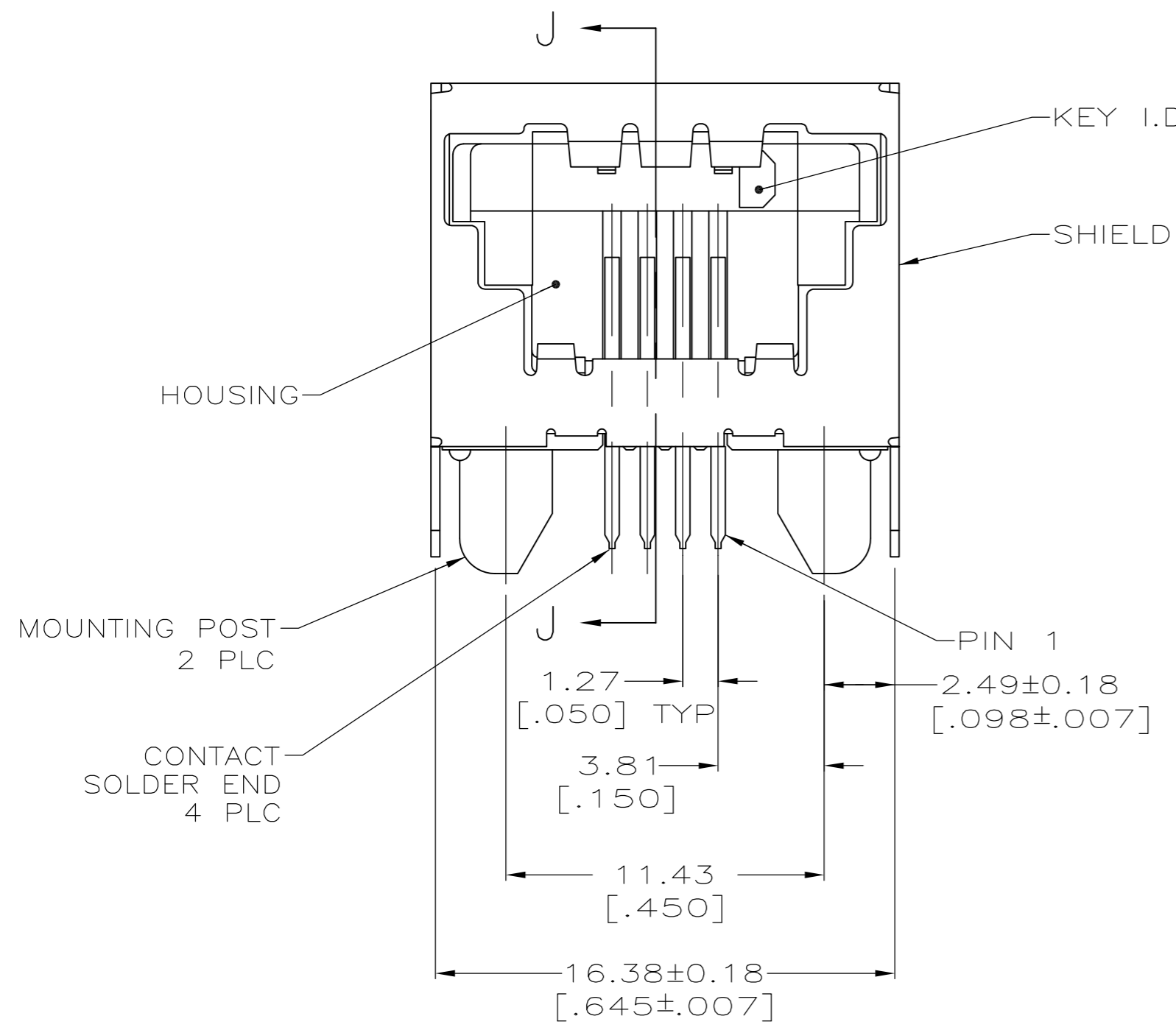


THIS DRAWING IS UNPUBLISHED. RELEASED FOR PUBLICATION
 © COPYRIGHT - By - ALL RIGHTS RESERVED.

Loc		DIST		REVISIONS			
P	LTR	DESCRIPTION	DATE	DWN	APVD		
GP	00						
	B	REVISED PER ECO-11-019758	15FEB2012	CJV	CWR		



- 1 POLYESTER, UL 94V-0 RATED, BLACK.
- 2 BRASS.
- 3 PHOSPHOR BRONZE.
- 4 3.81µm [.000150] MIN BRIGHT TIN OVER 1.27µm [.000050] MIN NICKEL.
- 5 3.81µm [.000150] MIN MATTE TIN ON SOLDER END, 1.27µm [.000050] MIN GOLD ON MATING END FOR A LENGTH OF 2.54 [.100] MIN ON MATING SURFACE, ALL OVER 1.27µm [.000050] MIN NICKEL.
- 6 KEY IDENTIFICATION LETTER AND DATE CODE HOT STAMPED ON HOUSING, THIS SURFACE, LOCATED APPROXIMATELY AS SHOWN.
- 7 DIMENSION INDICATES CONTACT MATING AREA.
- 8 PLATING MEASUREMENT POINT.



SECTION J-J

D	4-1761206-1
KEY I.D. LETTER	PART NO

THIS DRAWING IS A CONTROLLED DOCUMENT. DIMENSIONING AND TOLERANCING PER ASME Y14.5M-2009		DWN B. MCMASTER 30APR04	TE Connectivity	
DIMENSIONS: mm [INCHES]		CHK C. ROHDE 30APR04	RECEPTACLE ASSEMBLY, 4 POSITION, SIDE ENTRY, SDL	
TOLERANCES UNLESS OTHERWISE SPECIFIED:		APVD M. WALMSLEY 30APR04	NAME	
0 PLC	± -	PRODUCT SPEC	108-2047	
1 PLC	± -	APPLICATION SPEC	114-2081	
2 PLC	± 0.13 [.005]	SIZE	A2	
3 PLC	± -	CAGE CODE	00779	
4 PLC	± -	DRAWING NO	C=1761206	
ANGLES	± -	WEIGHT	-	
FINISH	4A	CUSTOMER DRAWING	SCALE NTS	SHEET 1 OF 1
				REV B