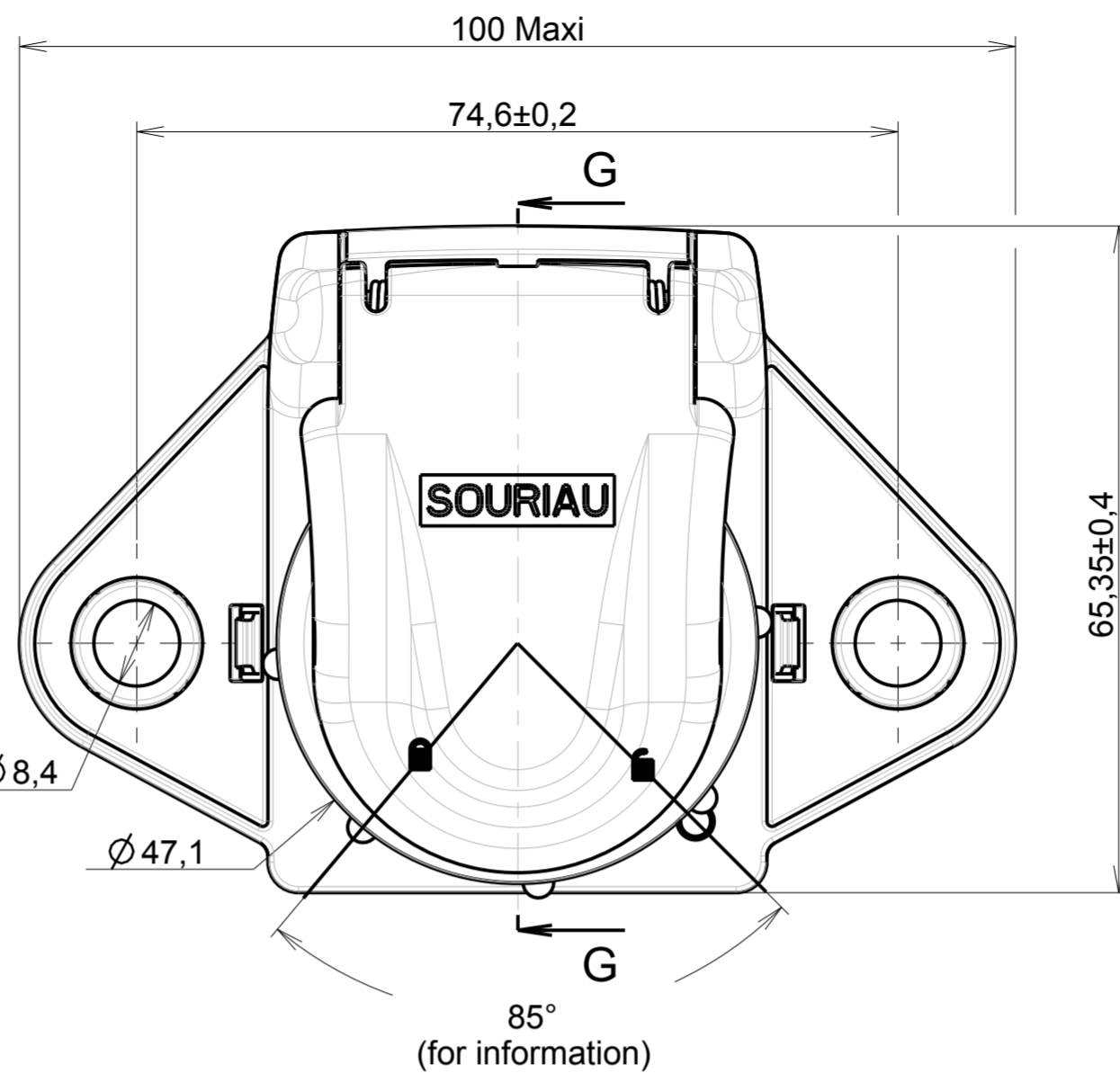
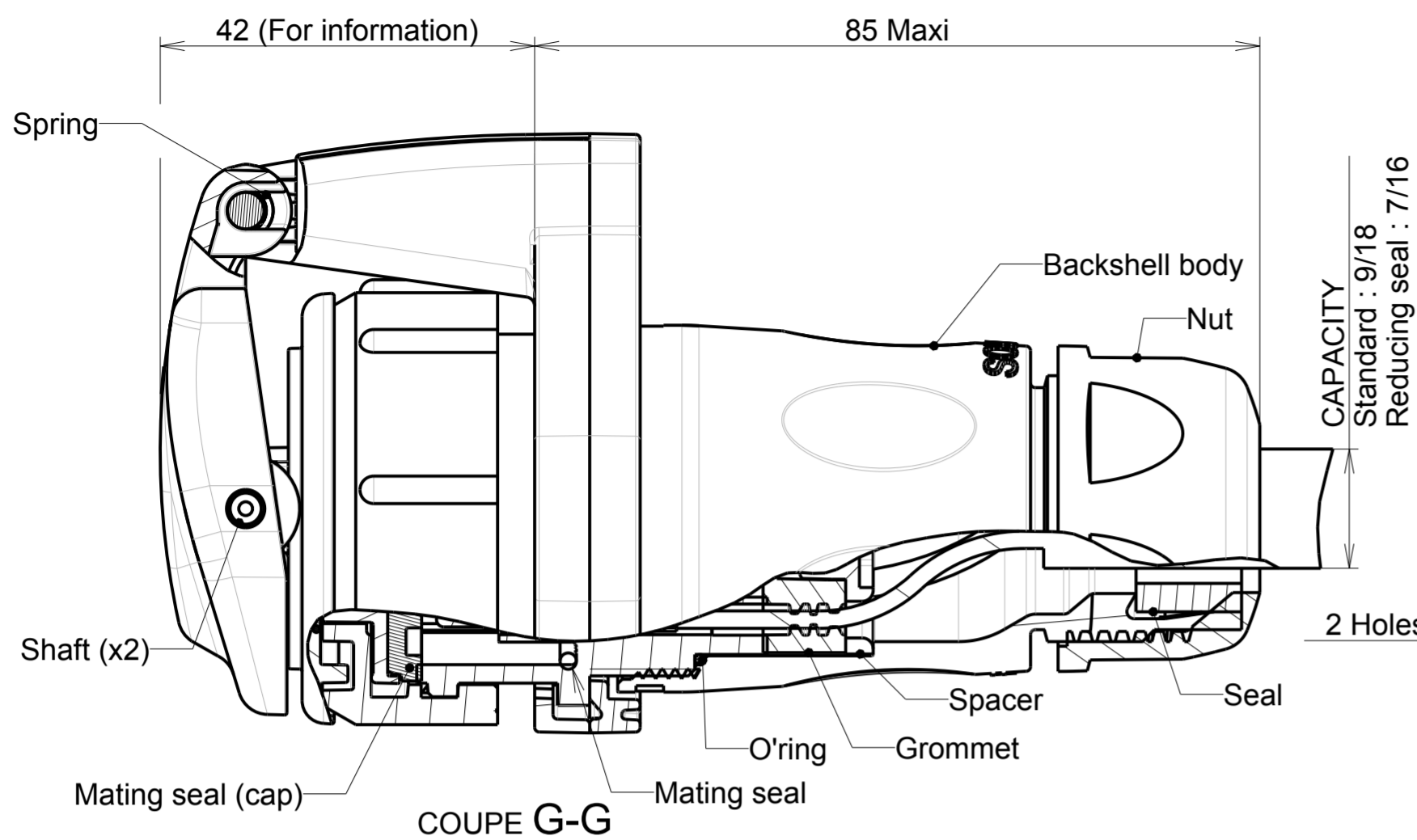


a : 0 : RL



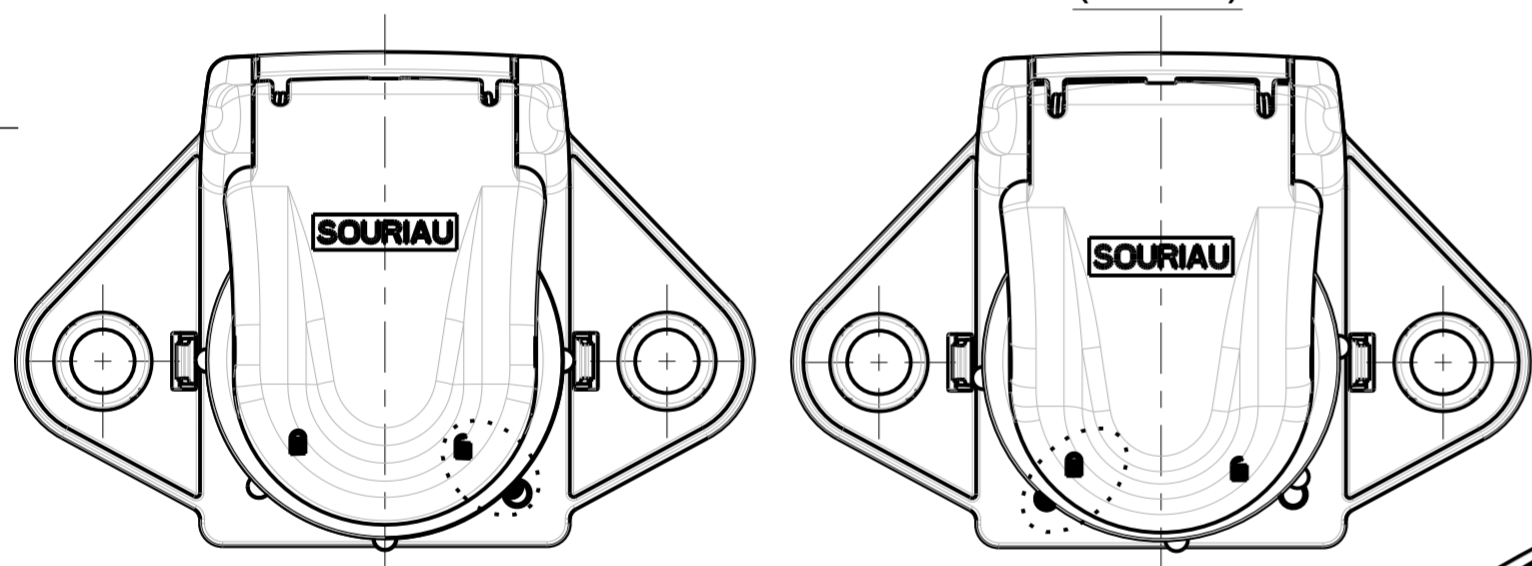
**MATERIAL :**  
 -Body : Thermoplastic black PA GF + PBT GF30  
 -Mating seal (cap) : Silicon  
 -Mating seal (connector): Silicon  
 -O'ring : NBR  
 -Shaft and spring : stainless steel  
 -Backshell body : Thermoplastic  
 -Nut : Thermoplastic  
 -Seal : Neopren  
 -Grommet : Silicone  
 -Spacer : PA66

**PERFORMANCE CHARACTERISTICS:**  
 -Operating temperature : -30° up to +85°  
 -Test potential: 800 V  
 -Insulation resistance : 5 Gohms under 500V  
 -Operating voltage : 28V (for #8) and 24V (for #16)  
 -Rated current : 26A (for #8) et 13A (for #16)  
 -Contact resistance : <5 mohms by contact (for #8) and <6 mohms (for #16)  
 -Durability: 100 matings and unmatings  
 -This cap is a water and dust protected version.  
 -Level sealing : IP69K (cap locked or mated connector only)  
 IPx8 (cap locked or mated connector only)  
 -Salt spray : 500H

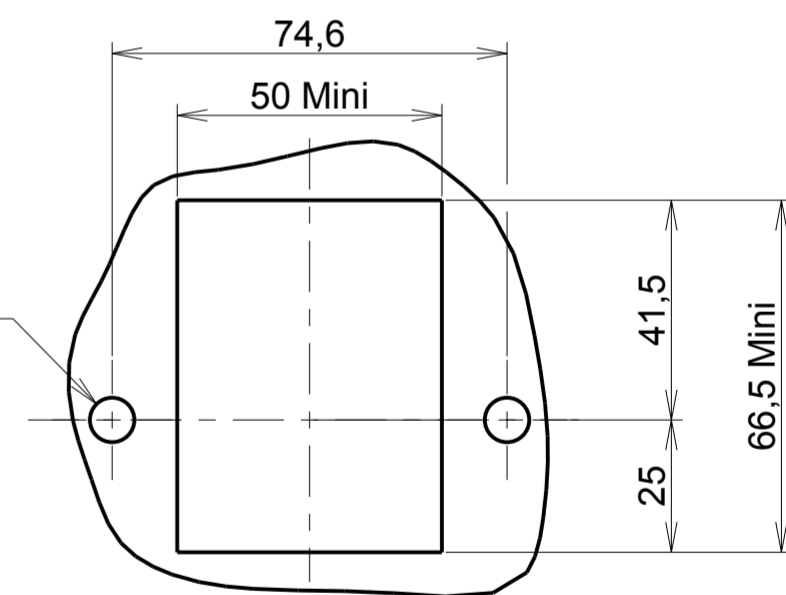
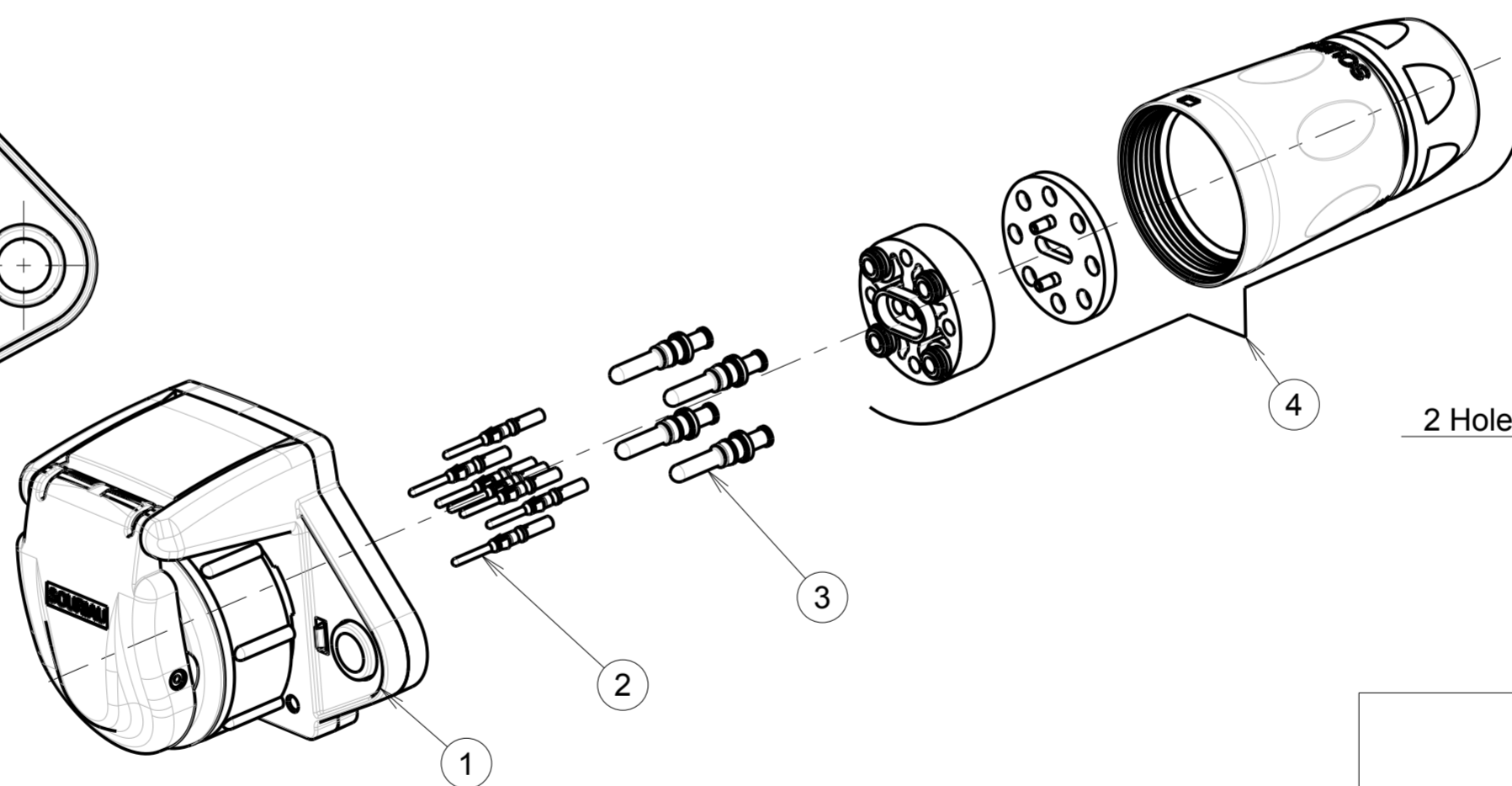
**NOTES :**  
 -Contact are delivered separately  
 -The cap is defined according to EN 16330 and Compliance Matrix N°13113

**UNLOCKED POSITION**

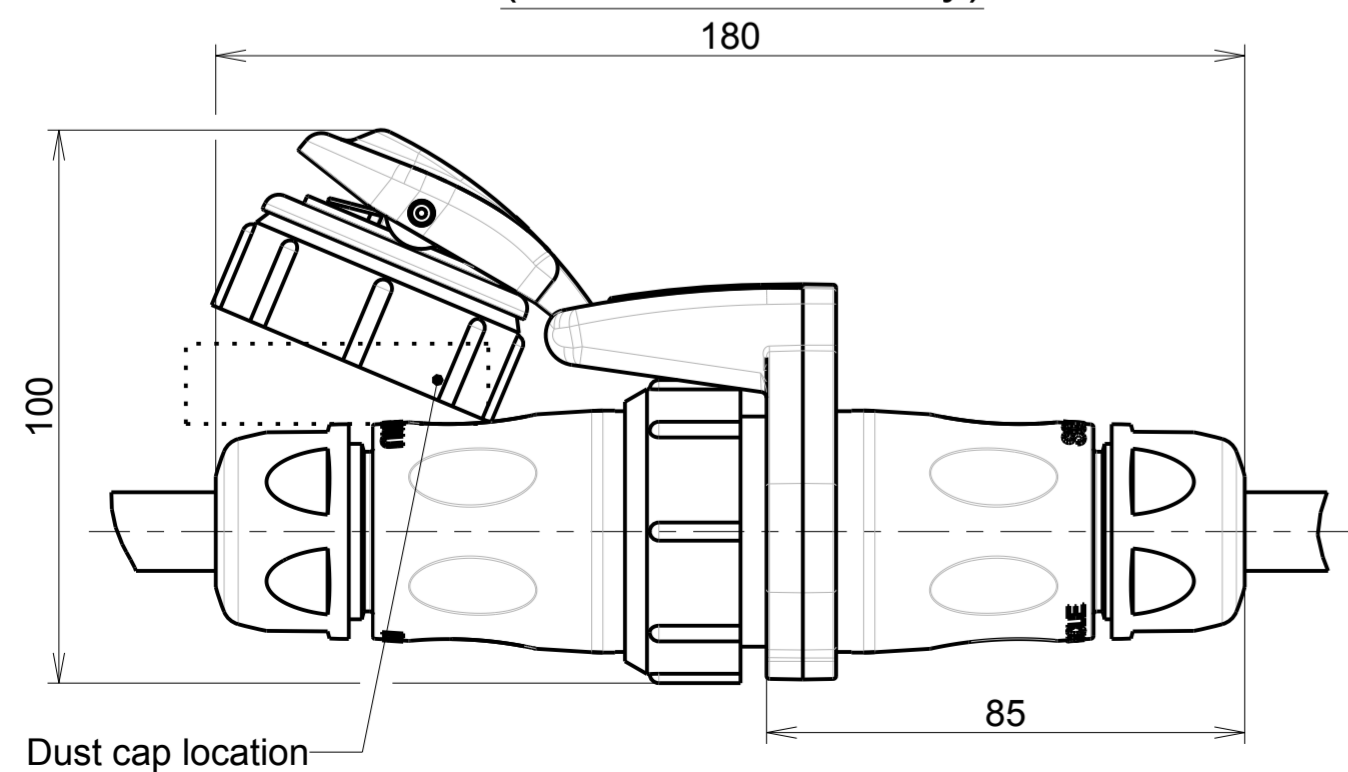
**LOCKED POSITION (IP69k)**



**PANEL CUT OUT FOR INFORMATION (FOR REAR MOUNTING)**  
 Panel thickness Maxi : 3 mm



**ASSEMBLY DIMENSION (for information only)**



REP	P/N	DESCRIPTION	COMMENTS	QTY
1	WME10007A	Locking cap size 24	Included Receptacle WME10003A	1
2	RM16M23K	PIN #16	Delivered separately	7
3	82913603A	PIN #8	Delivered separately	4
4	WME10010A	Receptacle Backshell	Delivered with Grommet and Spacer	1

**P/N : WME10012A**

a	09/07/14	New drawing	23017SPR
ISS	DATE	Latest modification - by: --	MOD N°
Designed by: J.FEURPRIER		Date: 09/07/14	CUSTOMER DRAWING
TITLE		CAPS FOR RECEPTACLE SIZE 24 WITH BACKSHELL	
		UTP CONNECTOR	
Scale	1/2	General linear Tolerances: ± 0.2	NPRDS / PROJECT IC131707A
SOURIAU		WWW.SOURIAU.COM	
			This document is the property of SOURIAU. It must not be reproduced or communicated without permission.
FORMAT	A2	SOURIAU DRG N° WME1-0012A-C01	SHEET 1 / 1