

MV/MH

Magnuliter®

FLOODLIGHTING

MVM



- Die-cast aluminum housing and door provide protection for internal components
- Tempered, clear glass lens, sealed with silicone door gasket
- Twin closure screws are steel with protective HubbellGard® coating; Will not bond to aluminum castings as stainless do; Allow easy service and lasting fixture appearance
- PowrPanl® ballast tray allows easy access and ground maintenance of electrical package through 400w
- Quad Tap® ballast standard; Change 8 to 5 for 480V, to 6 for Tri-Tap 120/277/347V, to E for 50Hz, 220/240V
- Standard dark bronze finish; Add M50 for black, M53 for gray
- Listed to UL1598 for use in wet locations
- High ambient versions available – consult factory

ORDERING INFORMATION

MV SERIES — Vertical lamp position. Features wide, uniform beam distribution.
(Coverage is four times set back distance)

Catalog Number MVM ³ Trunnion Mount	Catalog Number MVK ^{1,3} Slipfitter Mount	Photometry NEMA/IES H° x V°	Wattage	Weight lbs. (kg)	EPA ft ² m ²
Pulse Start Metal Halide					
MVM-HPS-SEA2 ¹		7(146°) x 6(115°)	less ballast	19 (8.6)	2.3 .22
MVM-0250P-268 ⁴	MVK-0250P-268 ⁴	7(146°) x 6(115°)	250	36 (16.3)	2.3 .22
MVM-0400P-268 ⁴	MVK-0400P-268 ⁴	7(146°) x 6(119°)	400	41 (18.6)	2.3 .22
MVM-1000H-268 ²	MVK-1000H-268 ²	6(130°) x 6(114°)	1000	48 (22.0)	2.3 .22
High Pressure Sodium					
MVM-0250S-268	MVK-0250S-268	7(144°) x 6(113°)	250	36 (17.3)	2.3 .22
MVM-0400S-268	MVK-0400S-268	7(144°) x 6(113°)	400	43 (19.5)	2.3 .22

- 1 For use with remote ballasts, maximum wattage: 400
- 2 BT-37 shape lamp and 3 ft. of 16/3 S.O. cord (cord on MVM style only) included
- 3 Dark bronze finish is standard
- 4 ED28 lamp size is required; For lamp shipped in fixture carton add - LP

NOTE: Lamps are not included; All ballasts are HPF and Quad-Tap® 120/208/240/277V; For 480V, change last digit 8 to 5; For Tri-Tap® 120/277/347V, change last digit 8 to 6; For 220/240V, 50 Hz, consult factory; Order mounting accessories separately

REPLACEMENT PART

Catalog Number	Description
800-2918-0115	Lens door assembly, bronze

MH SERIES — Horizontal lamp position. Select medium or narrow distribution.
(Medium distribution coverage is two times set back distance)

Catalog Number MHP ² Trunnion Mount	Catalog Number MHK ^{1,2} Slipfitter Mount	Photometry NEMA/IES H° x V°	Wattage	Weight lbs. (kg)	EPA ft ² m ²
Pulse Start Metal Halide					
MHP-0400P-338	MHK-0400P-338	3(44°) x 3(37°)	400	32 (14.5)	2.3 .22
MHP-0400P-368	MHK-0400P-368	5(83°) x 5(85°)	400	32 (14.5)	2.3 .22
High Pressure Sodium					
MHP-0400S-238	MHK-0400S-238	5(73°) x 3(32°)	400	43 (19.5)	2.3 .22
MHP-0400S-268	MHK-0400S-268	7(144°) x 6(113°)	400	43 (19.5)	2.3 .22

- 1 MHK slipfits 2 3/8" O.D
 - 2 Dark bronze finish is standard
- NOTE: Lamps are not included; All ballasts are HPF and Quad-Tap® 120/208/240/277V; For 480V, change last digit 8 to 5; For Tri-Tap® 120/277/347V, change last digit 8 to 6

REPLACEMENT PART

Catalog Number	Description
800-2918-0115	Lens door assembly, bronze



Outdoor Lighting

ORDERING INFORMATION

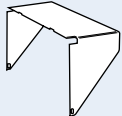
OPTIONS - Add Suffix

Catalog Number	Description
-F(X)	Single fuse for 120/277/347V; Double fuse for 208/240/480V; (specify voltage, e.g. "F(240)")
-PCR(X)	Twist-Lock™ photocontrol receptacle, specify voltage (e.g. "PCR(120)") when ordering with Quad-Tap or Tri-Tap (PTL photocontrol or WIH-OM ordered separately)
-C(X ₁)(X ₂)	16/3 pre-wired S.O. Cord - replace X ₁ with cord length desired: 3 - 3ft.; 6 - 6ft.; 12 -12ft.; specify voltage by replacing X ₂ (e.g. "C6(120)"); not available in knuckle style mounting
-L	Unit with lamp (shipped separately)
-LP	Unit with lamp (shipped in fixture carton)
-M53	Gray Lektrocote® finish
-M50	Black Lektrocote® finish

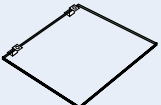
ACCESSORIES - Order Separately

Catalog Number	Description
MVM-V2 ¹	Top visor
MVM-S2 ^{1, 2}	Polycarbonate shield
MVM-PCR	Photocontrol receptacle (120-480V) less photocontrol
4024C	Steel slipfitter for MVM, mounts over 2 3/8" OD tenons
PBT-1	Button photocontrol 120 volt (knockout on back & door)
PBT-234	Button photocontrol 208, 240, 277 volt
4040	Steel angle bracket for MVM, bronze finish
4041	Steel angle bracket with 2 3/8" OD tenon for MVK, bronze finish
TWK-11	Steel wall bracket with 2 3/8" tenon, bronze finish (use with MVK/MHK)
WIH-OM-UNV	120/277/347VAC Wireless On/Off control, see PSG8 pg. 382
WIH-OM-480	480VAC Wireless On/Off control, see pg. 382


- 1 Visor and polycarbonate shield may be used together; Visors are finished in bronze Lektrocote®
 2 For use with 400w and below



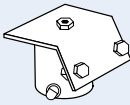
MVMV-2
15.7" WIDE
6.0" DEEP
8.2" TALL AT DOOR



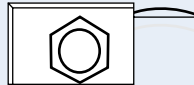
MVMS-2
.125"
POLYCARBONATE



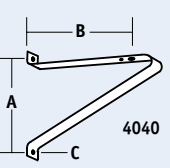
MVM-PCR
KNOCKOUT ON BACK OF HOUSING



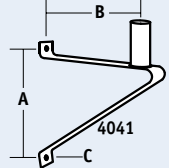
4024C



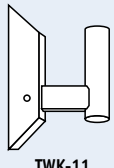
PBT-1, PBT-234



4040

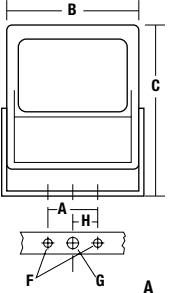


4041

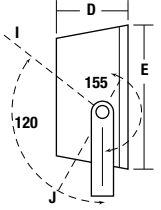


TWK-11

A	B	C	D	E	F
8 1/4"	9 1/2"	11/16" dia.	11"	8"	8"
210 mm	241 mm	17.4 mm	279 mm	203 mm	203 mm



MVM/MHP



MVK/MHK

	A	B	C	D	E	F	G	H	I	J
MVM/MHP	3 1/8"	16 3/8"	25 1/2"	9"	17 7/8"	17/32"	7/8"	1 9/16"	12" R.	8 5/8" R.
	79 mm	416 mm	648 mm	229 mm	454 mm	14 mm	22 mm	40 mm	305 mm	219 mm
MVK/MHK	5 1/2"	16 3/8"	25 1/2"	9"	17 7/8"	-	-	-	-	-
	140 mm	416 mm	648 mm	229 mm	454 mm	-	-	-	-	-