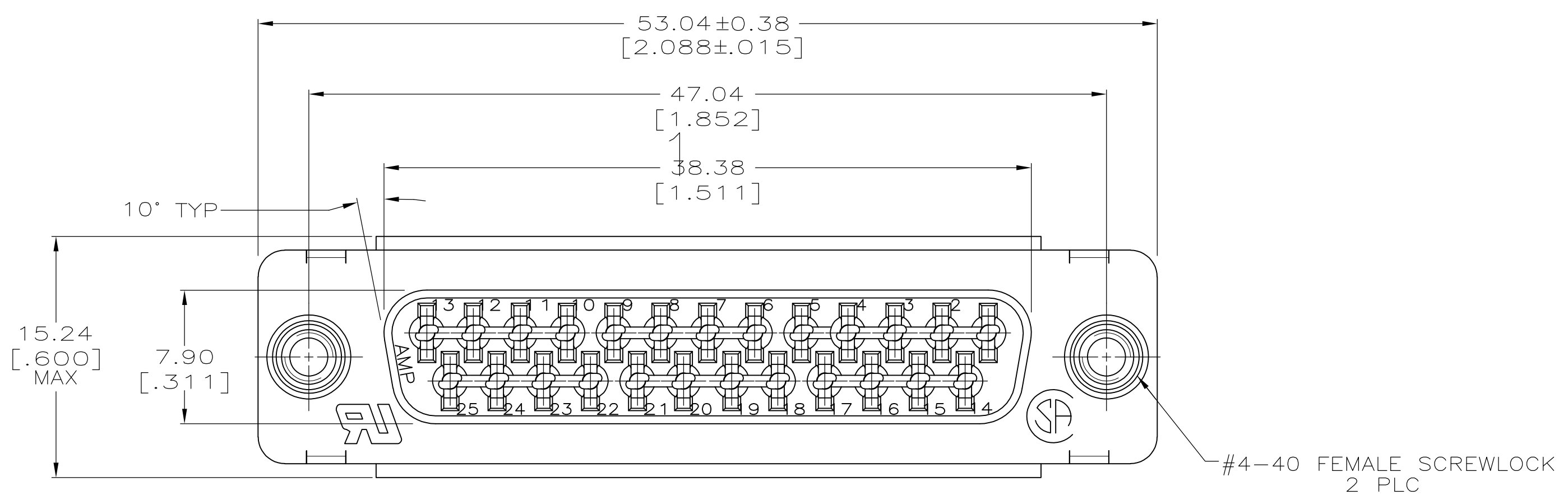
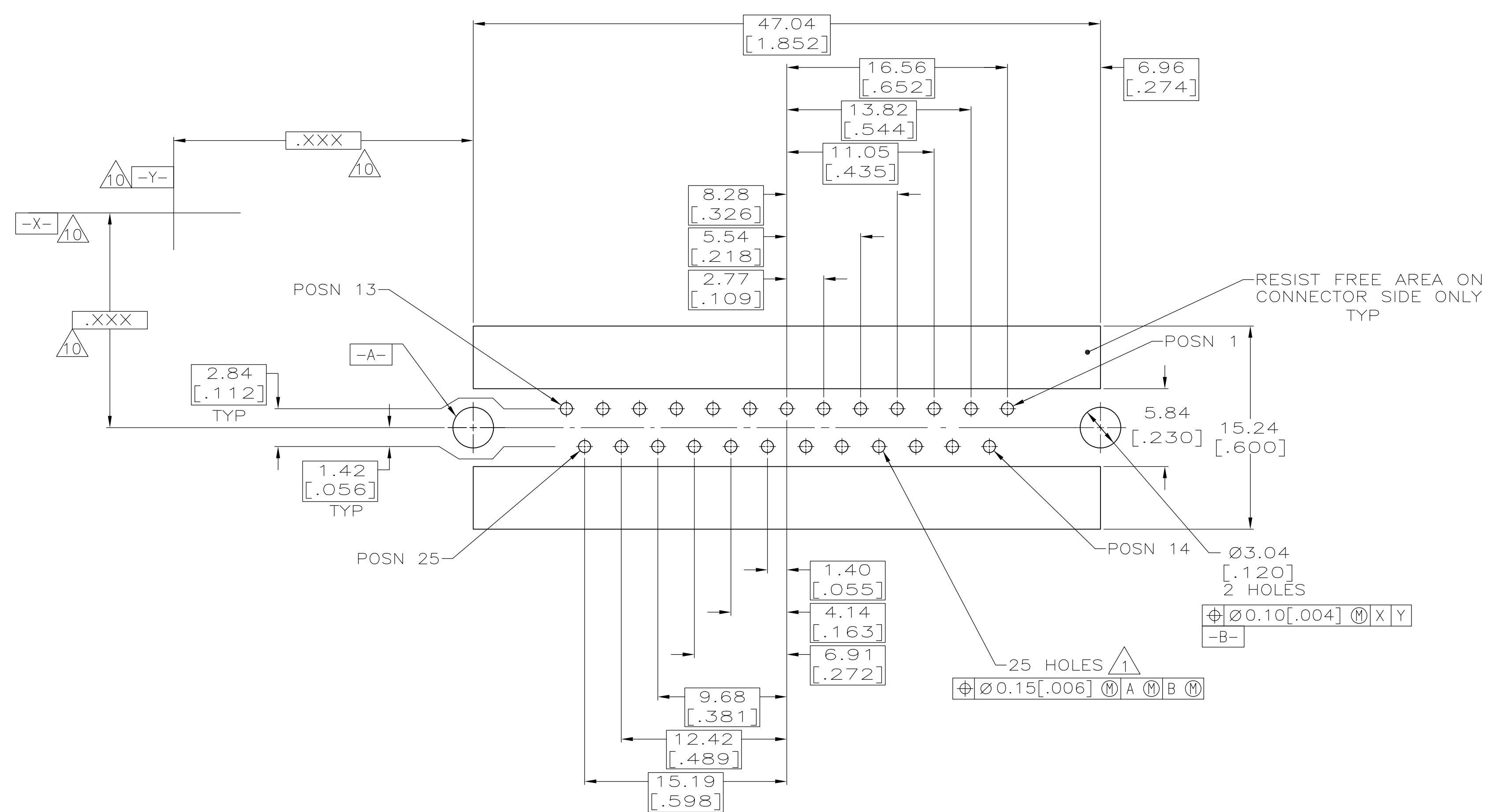
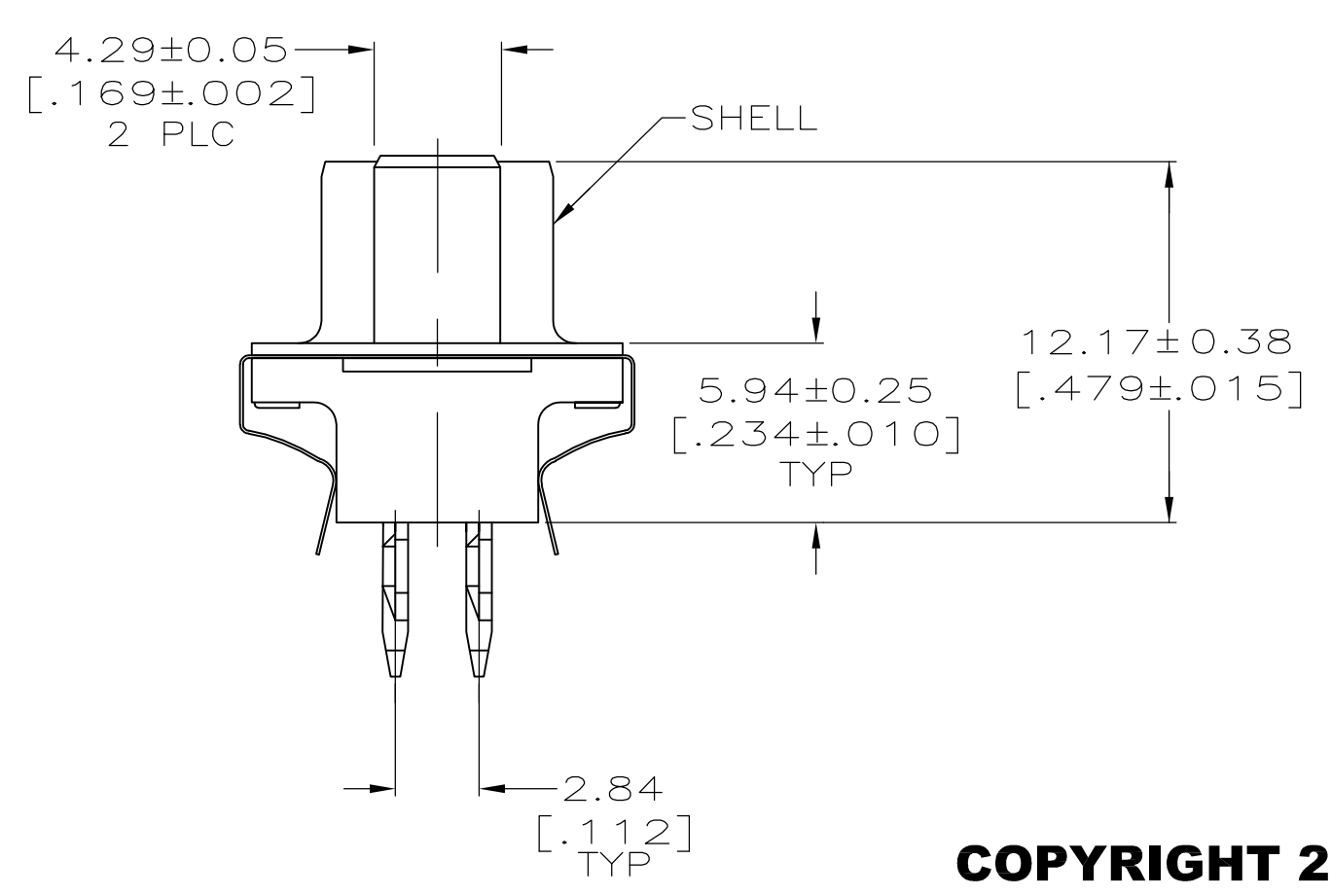
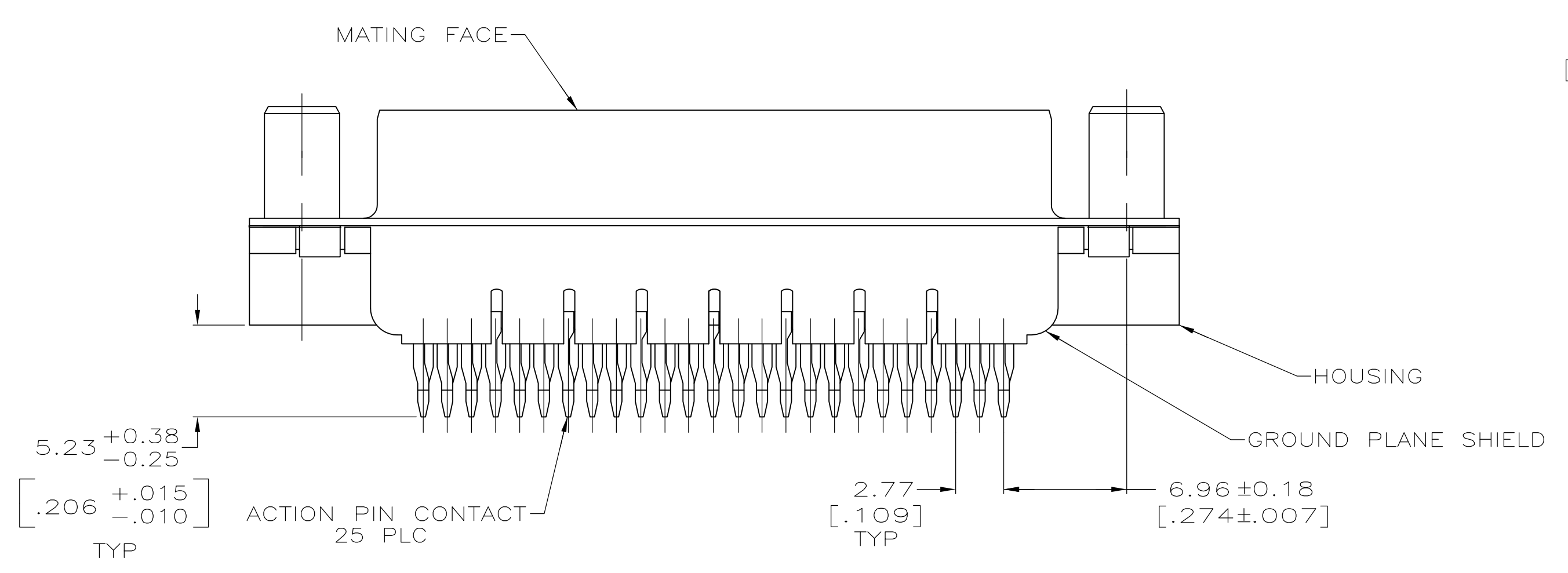


- 1 FOR USE WITH 2.36 [.093] MINIMUM THICK PRINTED CIRCUIT BOARD. REFER TO APPLICATION SPECIFICATION FOR HOLE SIZE AND FINISH RECOMMENDATIONS.
- 2 HOUSING: NYLON OR POLYESTER, UL 94V-0 RATED, BLACK.
- 3 CONTACTS: COPPER ALLOY.
- 4 SHELL: CARBON STEEL.
- 5 SCREWLOCKS: ZINC.
- 6 SHIELD: 1.27µm [.000050] MIN TIN OVER 0.13µm [.000005] MIN NICKEL STRIKE.
- 7 SHELL: 5.08µm [.000200] MIN TIN OVER 2.54µm [.000100] MIN COPPER.
- 8 CONTACTS:  
0.76 MICRO METERS [.000030] MINIMUM GOLD IN MATING AREA.  
2.54 MICRO METERS [.000100] MINIMUM TIN ON COMPLIANT PIN.  
ALL OVER 1.27 MICRO METERS [.000050] MINIMUM NICKEL.  
OR  
GOLD FLASH OVER PALLADIUM NICKEL.  
0.76 MICRO METERS [.000030] MINIMUM TOTAL IN MATING AREA.  
2.54 MICRO METERS [.000100] MINIMUM TIN ON COMPLIANT PIN.  
ALL OVER 1.27 MICRO METERS [.000050] MINIMUM NICKEL.
- 9 SHIELD: STAINLESS STEEL
- 10 DATUMS AND BASIC DIMENSIONS ESTABLISHED BY CUSTOMERS.
- 11 SCREWLOCKS: CLEAR CHROMATE



RECOMMENDED PC BOARD MOUNTING DIMENSIONS 1  
CONNECTOR SIDE OF BOARD



**COPYRIGHT 2005  
TYCO ELECTRONICS CORP  
ALL RIGHTS RESERVED**

THIS DRAWING IS A CONTROLLED DOCUMENT. DIMENSIONING AND TOLERANCING PER ASME Y14.5M-2009		DIN A FERNANDEZ-DOCKS 04-04-05 CHK S BOLASH 04-04-05		NAME	
DIMENSIONS: INCHES		TOLERANCES UNLESS OTHERWISE SPECIFIED:		APVD M WALMSLEY 04-04-05	
0 PLC ± -		1 PLC ± -		PRODUCT SPEC	
1 PLC ± -		2 PLC ± 0.13 [.005]		108-40014	
2 PLC ± -		3 PLC ± -		APPLICATION SPEC	
3 PLC ± -		4 PLC ± -		114-40026 1	
4 PLC ± -		ANGLES ± °		SIZE CAGE CODE DRAWING NO RESTRICTED TO	
MATERIAL		FINISH		A1 00779 C=5748441	
2 3 4 5 9		6 7 8 11		CUSTOMER DRAWING SCALE 4:1 SHEET 1 OF 1 REV C	