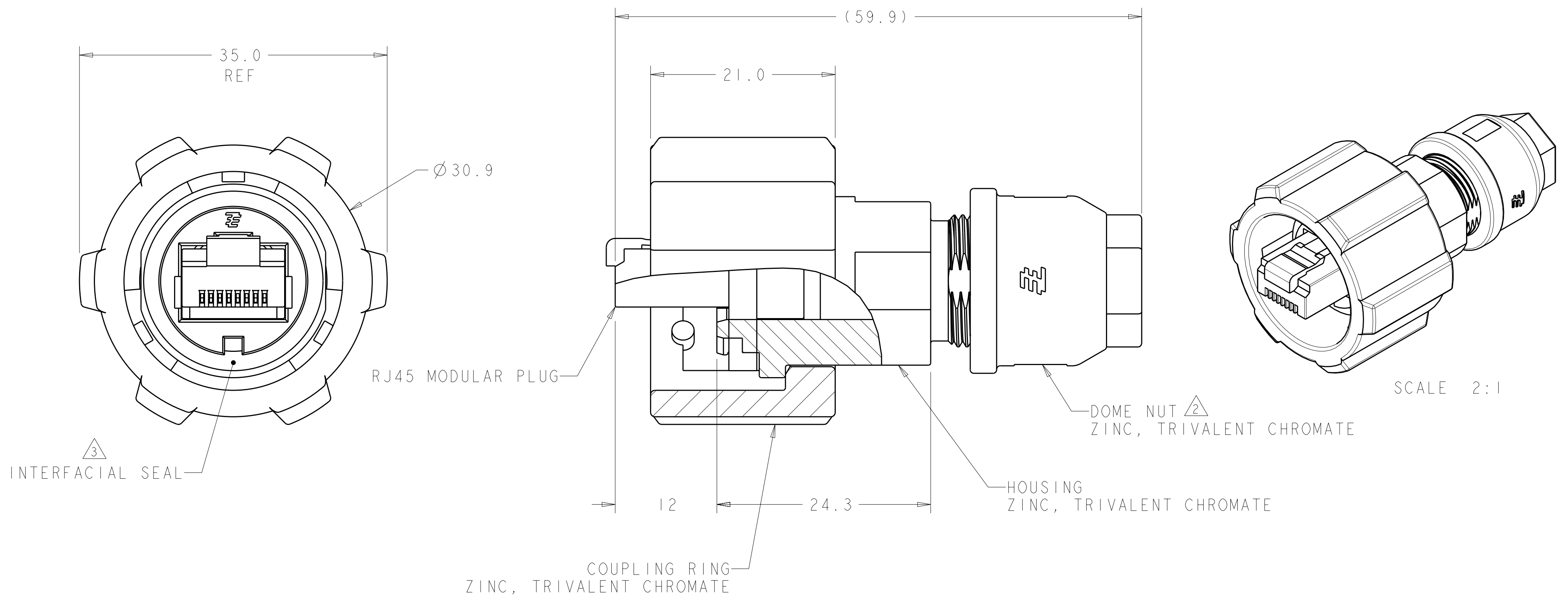


THIS DRAWING IS UNPUBLISHED. RELEASED FOR PUBLICATION 20
 © COPYRIGHT 20 BY TYCO ELECTRONICS CORPORATION. ALL RIGHTS RESERVED.

REVISIONS					
P	LTR	DESCRIPTION	DATE	DWN	APVD
	AI	REVISED PER ECO-09-010030	23APR2009	SS	MS



- 1. CABLE DIAMETER RANGE: $\varnothing 4.5 - \varnothing 6.9$
- 2. 36.9 IN-LBS TORQUE RECOMMENDED FOR DOME NUT.
- 3. INTERFACIAL SEAL IS SECURED TO HOUSING WITH ADHESIVE.

SOLID WIRE	2008611-2
STRANDED WIRE	2008611-1
WIRE TYPE	PART NUMBER

<small>THIS DRAWING IS A CONTROLLED DOCUMENT FOR TYCO ELECTRONICS CORPORATION. IT IS SUBJECT TO CHANGE AND THE CONTROLLING ENGINEERING ORGANIZATION SHOULD BE CONTACTED FOR THE LATEST REVISION.</small>		DWN S.WELDON 26MAR2008 CHK C.HERTZLER 26MAR2008 APVD C.HERTZLER 26MAR2008	Tyco Electronics Tyco Electronics Harrisburg, PA 17105-3608
DIMENSIONS: mm	TOLERANCES UNLESS OTHERWISE SPECIFIED: 0 PLC ± 1.0 1 PLC ± 0.2 2 PLC ± 0.10 3 PLC ± 0.000 4 PLC ± 0.0000 ANGLES $\pm 1^\circ$ FINISH	PRODUCT SPEC 108-2198 APPLICATION SPEC 114-13136 WEIGHT -	NAME PLUG KIT, UNSHIELDED, INDUSTRIAL CIRCULAR ETHERNET CONNECTOR SIZE A2 CAGE CODE 00779 DRAWING NO C-2008611 RESTRICTED TO -
MATERIAL -		CUSTOMER DRAWING	SCALE 3:1 SHEET 1 OF 1 REV AI