

NOTES:

1. MATERIALS AND FINISHES:

- CONTACT - BRASS - GOLD PLATED
- BODY - BRASS - WHITE BRONZE PLATED
- SLEEVE - BRASS - WHITE BRONZE PLATED
- FERRULE - BRASS - WHITE BRONZE PLATED
- CAP - BRASS - WHITE BRONZE PLATED
- OUTER CONTACT - PHOSPHOR BRONZE - WHITE BRONZE PLATED
- INSULATOR - PTFE

2. PHYSICAL:

- A. OPERATING TEMPERATURE = -65°C to +165°C
- B. INTERFACE = PER MIL-STD-348, SMA SERIES
- C. CONTACT RETENTION = 6.0 LBS. AXIAL

3. ELECTRICAL:

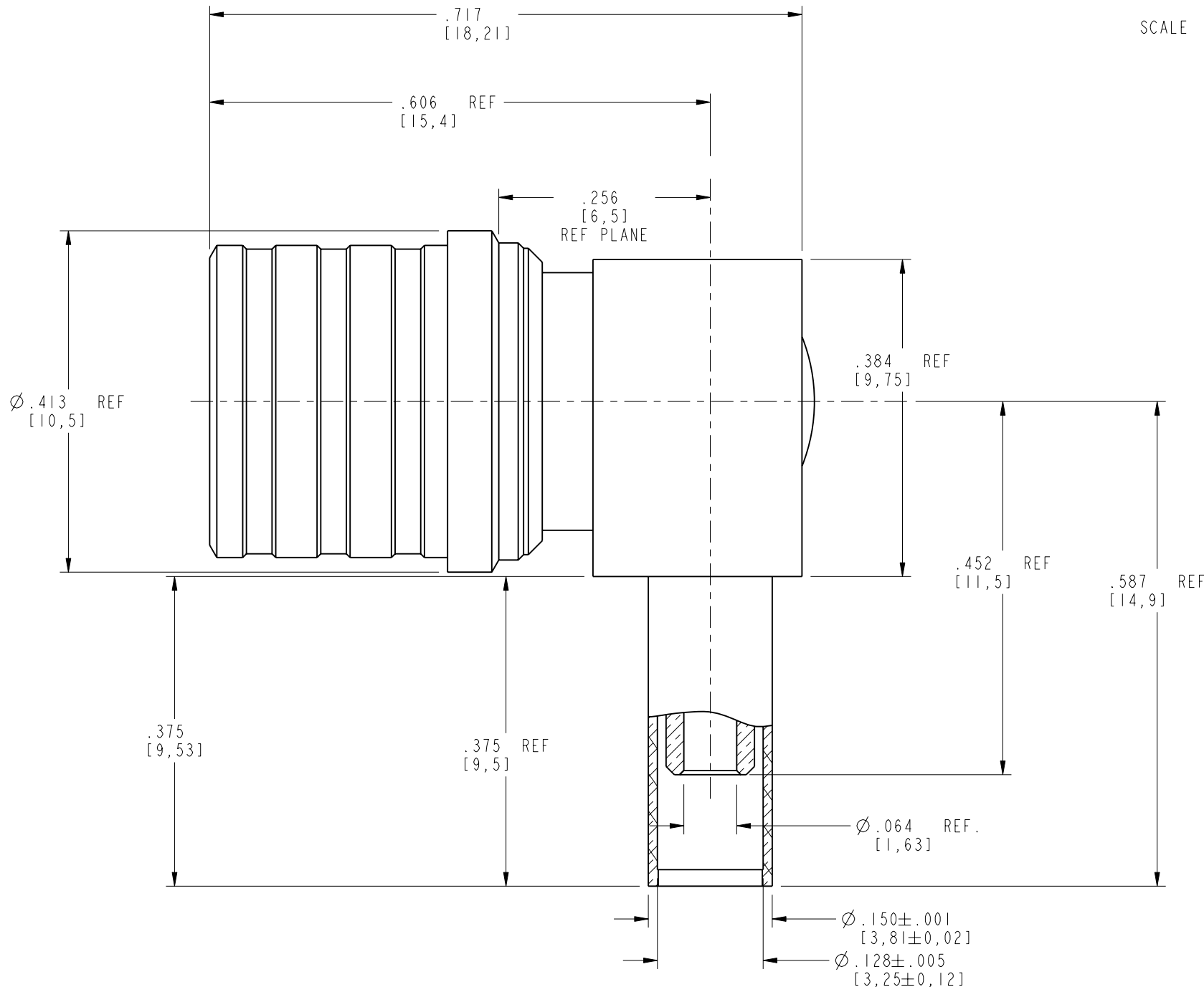
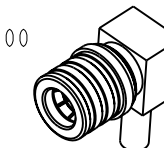
- A. FREQUENCY RANGE = DC to 6 GHz
- B. VSWR = 1.15 +.03F

4. CABLE ASSEMBLY INSTRUCTIONS PER:

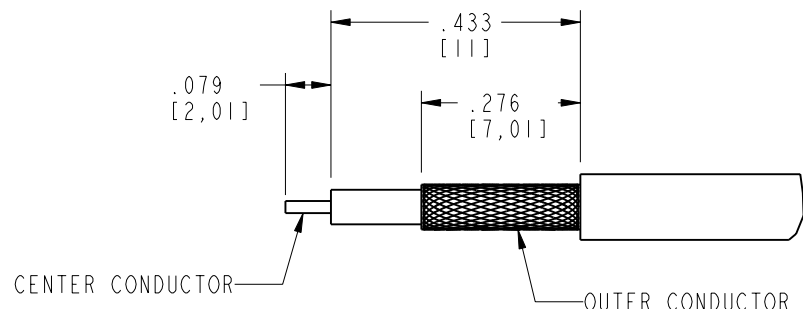
- A. TRIM CABLE AS SHOWN
- B. INSERT CABLE INTO R/A ENTRY W/ BRAID OVER KNURLED AREA, FOIL UNDER
- C. CRIMP FERRULE W/ .128 HEX
- D. SOLDER CENTER CONDUCTOR TO CONTACT THROUGH ACCESS HOLE
- E. DEPRESS EXPANSION CAP IN ACCESS HOLE.

930-118P-51A		REVISIONS			
DRAWING NO.	REV	DESCRIPTION	DATE	ECO	APPR
THIRD ANGLE PROJ.	A	RELEASE TO MFG.	2/13/04	44810	
	B	FERRULE TO 31-1357-3XH	3/9/04	44829	

SCALE 1.000



RECOMMENDED CABLE STRIPPING DIMENSIONS



CUSTOMER OUTLINE DRAWING
ALL OTHER SHEETS ARE FOR INTERNAL USE ONLY

UNLESS OTHERWISE SPECIFIED, DIMENSIONS ARE IN INCHES AND TOLERANCES ARE: 2 PLACE DECIMAL 3 PLACE DECIMAL ANGLES ±.015 (0,381 mm) ±.005 (0,127 mm) ± 1°	MATERIAL	DRAWN J LEBLANC	DATE 10/10/03	TITLE QMA 50 OHM R/A PLUG FOR RG-316 TYPE CABLE		Amphenol RF Danbury, CT, USA Tainan, Taiwan Shenzhen, China www.amphenolrf.com
	REFERENCE EAR #1134 GEN #ASSYMI_QMA	ENGINEER K. CAPOZZI	DATE 3/21/03			
NOTICE - These drawings, specifications, or other data (1) are, and remain the property of Amphenol Corp. (2) must be returned upon request; and (3) are confidential and not to be disclosed to any person other than those to whom they are given by Amphenol Corp. The furnishing of these drawings, specifications, or other data by Amphenol Corp., or to any other person to anyone for any purpose is not to be regarded by implication or otherwise in any manner licensing, granting rights or permitting such holder or any other person to manufacture, use or sell any product, process or design, patented or otherwise, that may in any way be related to or disclosed by said drawings, specifications, or other data.		APPROVED O. BARTHELMES	DATE 2/13/04	CODE ID 74868	DWG SIZE B	DRAWING NO. 930-118P-51A
						SCALE: 6.0:1
		CAD FILE I:\QMA\930-118P-51A				REV B