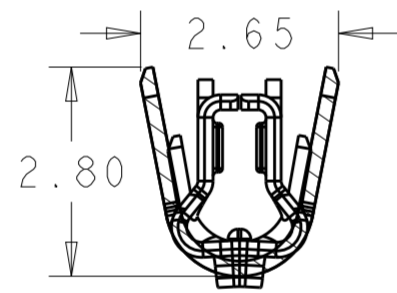
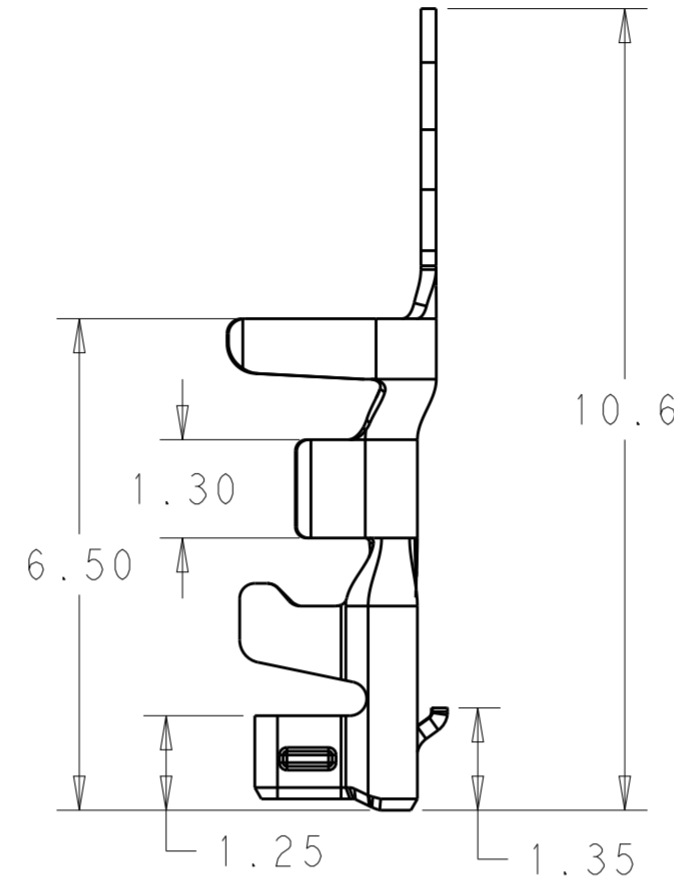
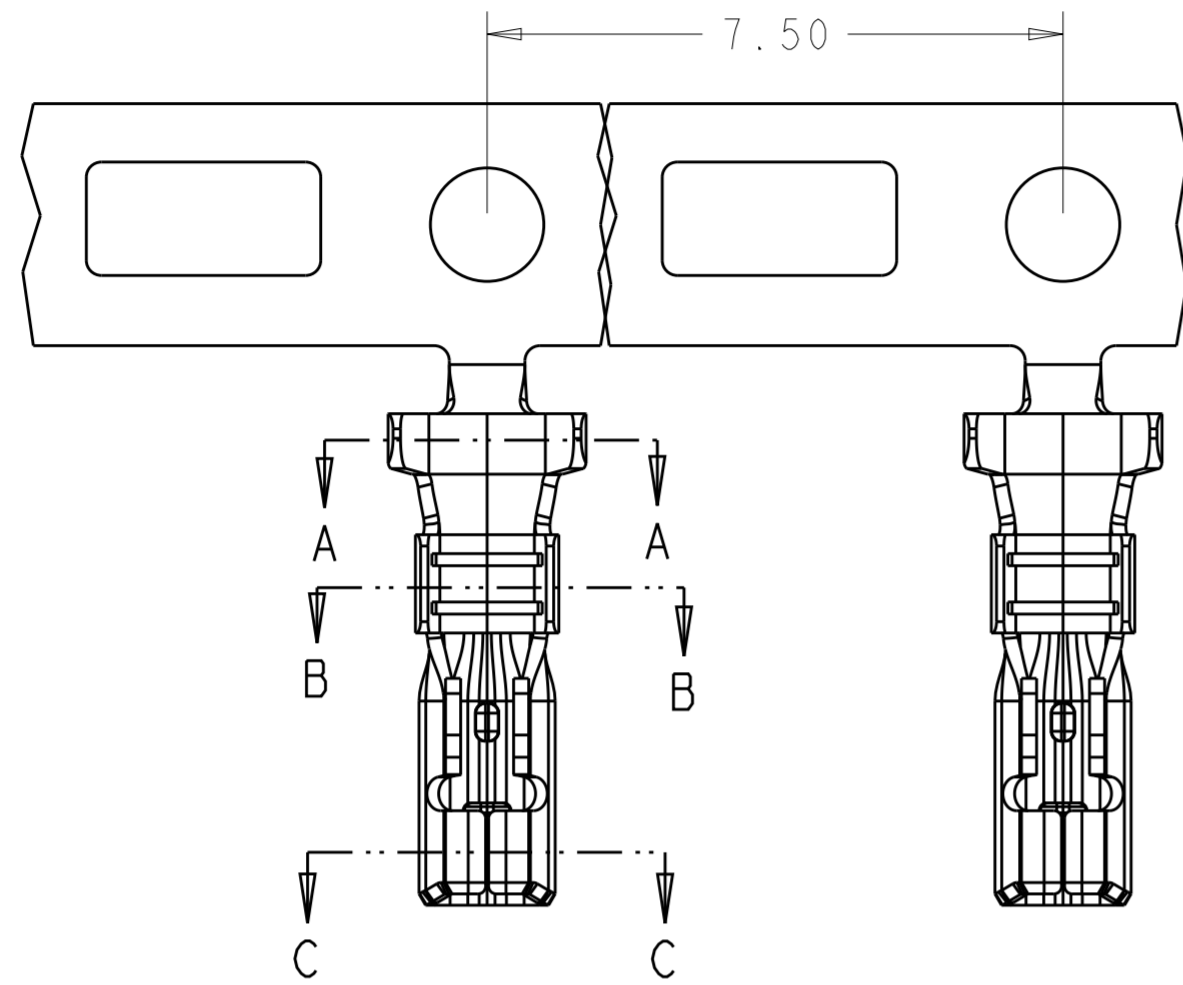


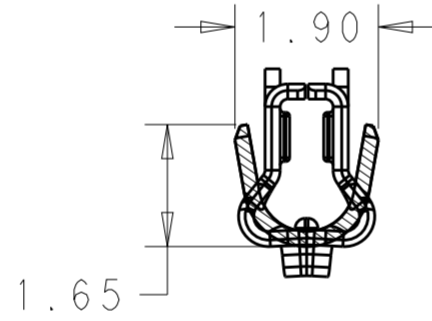
THIS DRAWING IS UNPUBLISHED. RELEASED FOR PUBLICATION
 © COPYRIGHT copyright.d8te- ALL RIGHTS RESERVED.

REVISIONS				
P	LTR	DESCRIPTION	DATE	APVD
A		RELEASED PER ECR-15-009171	25JUN15	O.C D.Z

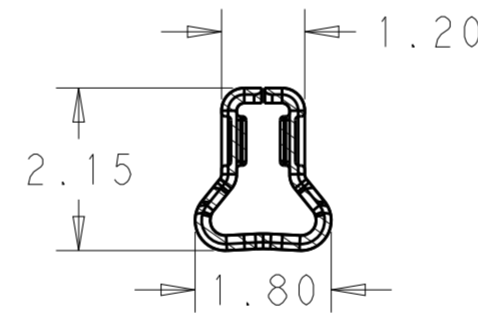
- 1 MATERIAL: PHOSPHOR BRONZE.
- 2 FINISH: PRE-TIN.
- 3 DESIGNED FOR USE IN HOUSINGS 1969442-() OR 1744417-().
- 4 CONTACTS COATED WITH ANTI-FRETTING LUBRICANT.
- 5 CONTACT IS RoHS COMPLIANT.
- 6 WIRE RANGE: 0.13~0.36mm² [26-22 AWG] STRANDED.
- 7. INSULATION RANGE: 1.30~1.91



SECTION A-A



SECTION B-B



SECTION C-C

2232905-1
 PART NUMBER

THIS DRAWING IS A CONTROLLED DOCUMENT.		DWN QITO CHEN 25JUN15	TE Connectivity			
		CHK DANIEL 7 26JUN15				
		APVD DANIEL 7 26JUN15				
		NAME LOW INSERTION FORCE CONTACT, ECONOMY POWER 2.5, RECEPTACLE				
DIMENSIONS:	TOLERANCES UNLESS OTHERWISE SPECIFIED:	PRODUCT SPEC 108-2418	SIZE A200779	CAGE CODE C-2232905	DRAWING NO -	RESTRICTED TO -
mm	0 PLC ± 1 PLC ±0.40 2 PLC ±0.30 3 PLC ± 4 PLC ±	APPLICATION SPEC 114-13315	SCALE N/A	SHEET 1	OF 1	REV A
MATERIAL	FINISH	WEIGHT -	Customer Drawing			