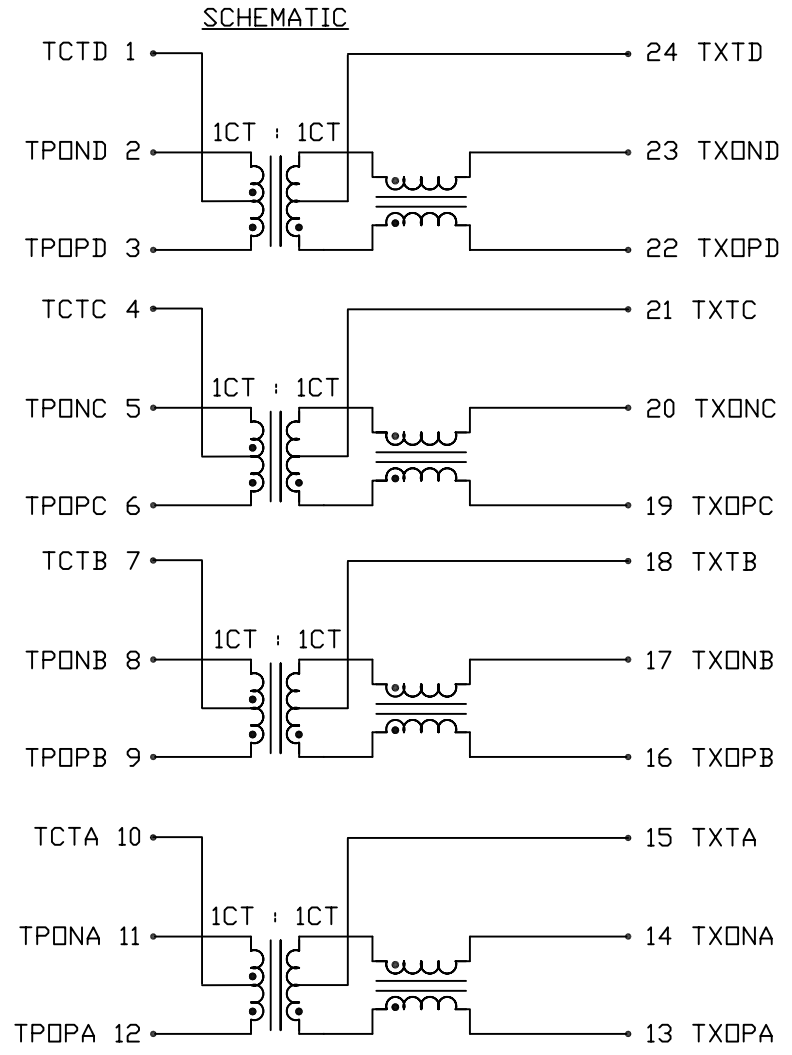


THE INFORMATION CONTAINED HEREIN IS CONSIDERED "PROPRIETARY" TO BEL FUSE INC. AND SHALL NOT BE COPIED, REPRODUCED OR DISCLOSED WITHOUT THE WRITTEN APPROVAL OF BEL FUSE INC.

ELECTRICAL CHARACTERISTICS @ 25°C



TURNS RATIO  
 (3-1-2) : (22-24-23) 1CT : 1CT  
 (6-4-5) : (19-21-20) 1CT : 1CT  
 (9-7-8) : (16-18-17) 1CT : 1CT  
 (12-10-11) : (13-15-14) 1CT : 1CT

DCL 350μH MIN. AT 100kHz,  
 WITH 8mA DC BIAS @25

INSERTION LOSS 1.1dB MAX. @ 0.1 TO 1MHz  
 0.5dB MAX. @ 1 TO 65MHz  
 1.0dB MAX. @ 80MHz  
 1.2dB MAX. @ 125MHz

RETURN LOSS 18dB MIN. @ 0.5 TO 40  
 UNDER 100 OHM 12-20LOG (F/80MHz) MIN  
 ±15% ENVIRONMENT @ 40 TO 100 MHz

COMMON TO COMMON REJECTION 30dB MIN. @ 0.1 TO 100

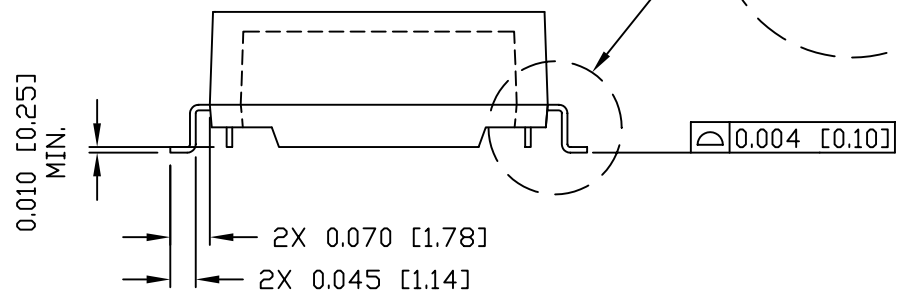
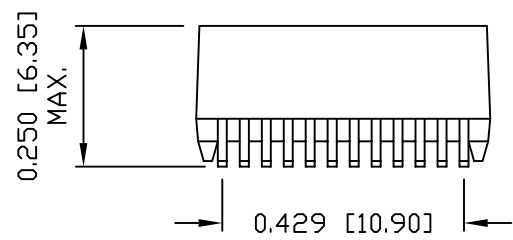
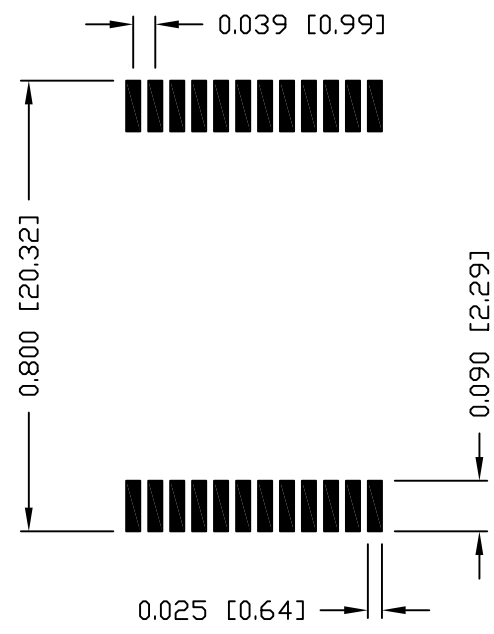
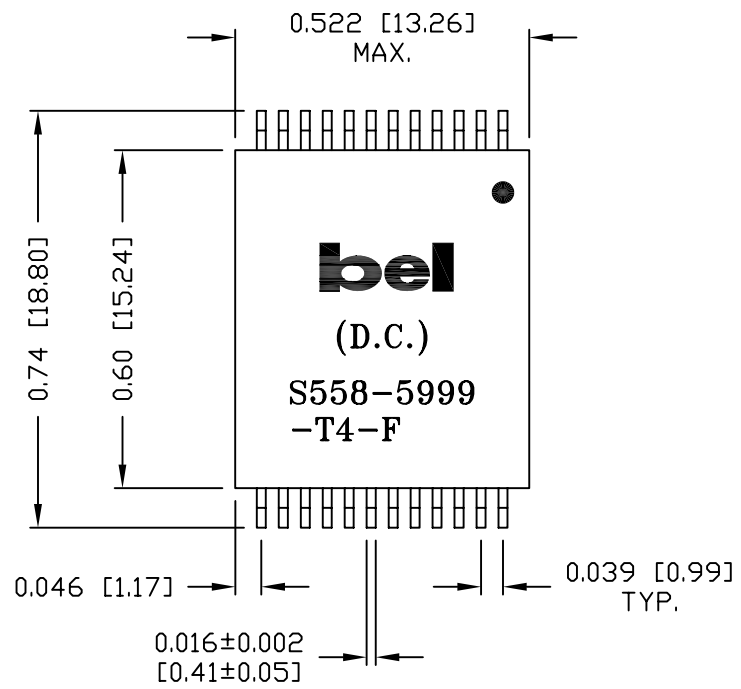
CROSSTALK 33-20 LOG (F/100 MHz)  
 @ 1 TO 100 MHz

HIPOT PER HAND-WORK-03

ORIGINATED BY	DATE	TITLE	PART NO. / DRAWING NO.	STANDARD DIM.	[ ] METRIC DIM. AS REFERENCE
HD	09-20-05	GIGABIT ETHERNET MAGNETICS S558-5999-T4-F	X5585999T4-F	TOL. IN INCH	UNIT : INCH [mm] REV. : A
DRAWN BY	DATE		FILE NAME	.X	SCALE : N/A SIZE : A4
DQ Chen	09-20-05		X5585999T4FA.DWG	.XX	⊕
				.XXX	⊖

THE INFORMATION CONTAINED HEREIN IS CONSIDERED "PROPRIETARY" TO BEL FUSE INC. AND SHALL NOT BE COPIED, REPRODUCED OR DISCLOSED WITHOUT THE WRITTEN APPROVAL OF BEL FUSE INC.

SUGGESTED PCB PAD LAYOUT



NOTES:

- STANDARD MARKING REFER TO DOC. HAND-WORK-04.
- PACKAGE CODE: "QTS001".

ORIGINATED BY	DATE	TITLE	PART NO. / DRAWING NO.	STANDARD DIM. TOL. IN INCH	[ ] METRIC DIM. AS REFERE.
HD	09-20-05	MECHANICAL DRAWING S558-5999-T4-F	X5585999T4-F	.X	UNIT : INCH [mm] REV. :
DRAWN BY	DATE		FILE NAME	.XX ±0.01	SCALE : N/A SIZE :
DQ Chen	09-20-05		X5585999T4FA.DWG	.XXX ±0.005	⊕ PAGE :