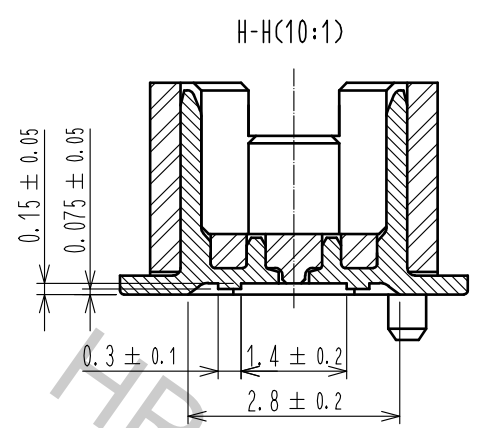
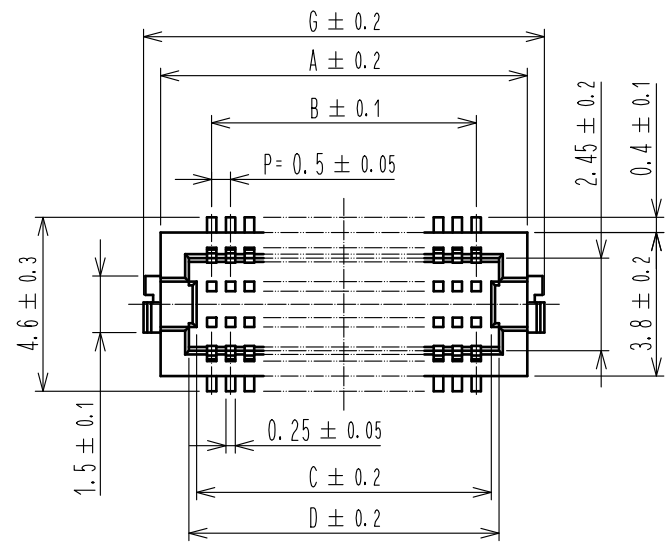


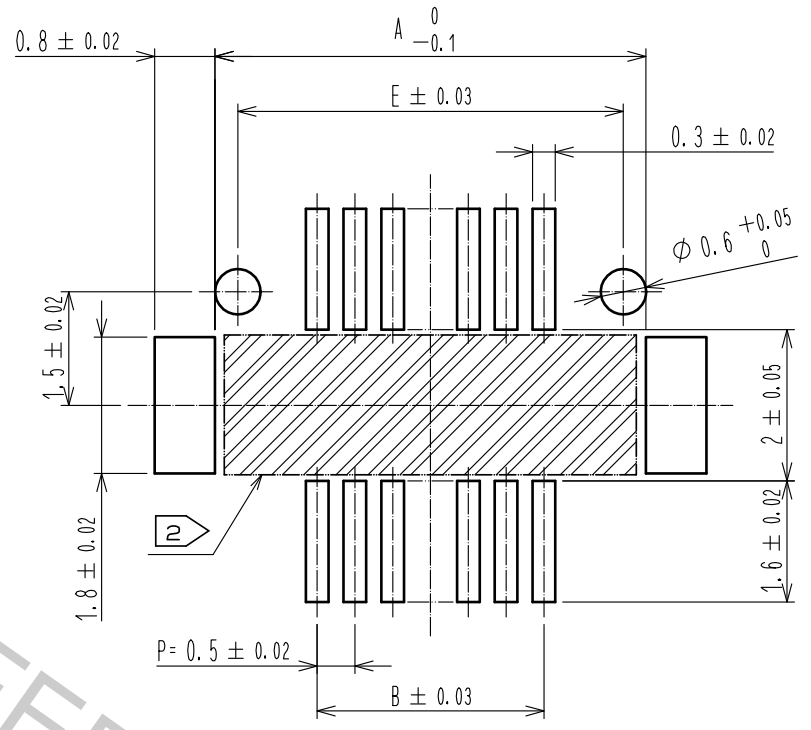
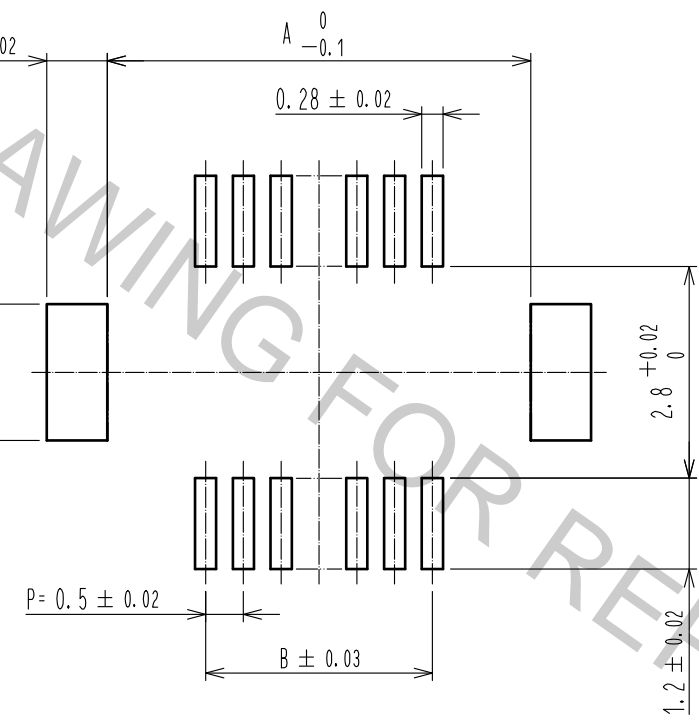
Apr.1.2017 Copyright 2017 HIROSE ELECTRIC CO., LTD. All Rights Reserved.



CODE No.	CONTACT	A	B	C	D	E	F	G
CL537-0028-7-86	20	7.2	4.5	5.3	5.7	6.6	5.3	8.1
CL537-0030-9-86	30	9.7	7.0	7.8	8.2	9.1	7.8	10.6
CL537-0031-1-86	36	11.2	8.5	9.3	9.7	10.6	9.3	12.1
CL537-0032-4-86	40	12.2	9.5	10.3	10.7	11.6	10.3	13.1
CL537-0034-0-86	50	14.7	12.0	12.8	13.2	14.1	12.8	15.6
CL537-0036-5-86	60	17.2	14.5	15.3	15.7	16.6	15.3	18.1

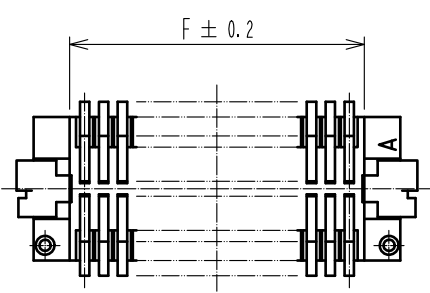
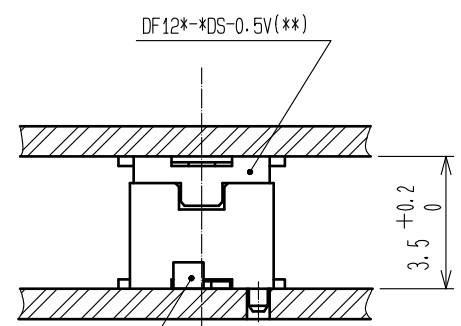
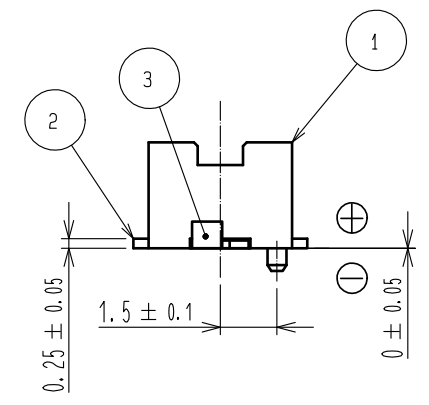
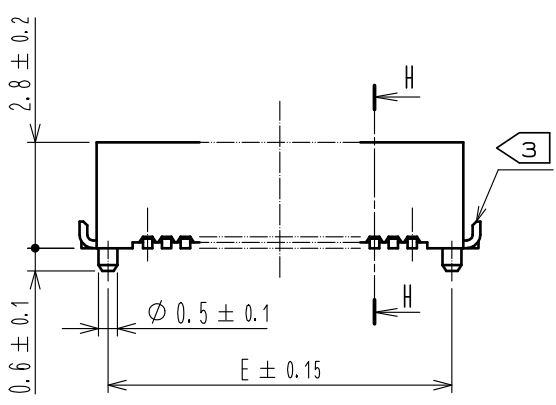
RECOMMENDED METAL MASK (10:1)

RECOMMENDED PATTERN (10:1)



RECOMMENDED THICKNESS OF METAL MASK : 120 μm

RECOMMENDED THICKNESS OF SOLDER PASTE : 120 μm

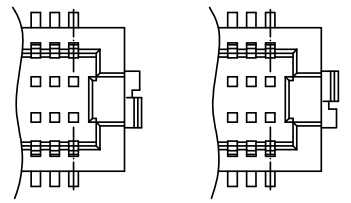


DF12(3.5)-*DP-0.5V(86)

NOTES 1 : LEAD CO-PLANARITY INCLUDING REINFORCED METAL FITTINGS SHALL BE 0.08 mm MAX.

② IF THERE IS PATTERN ON PART, THERE IS A POSSIBILITY THAT IT WILL MAKE CONTACT WITH THE LEADS.

③ REINFORCED METAL FITTINGS AS FOLLOWS.

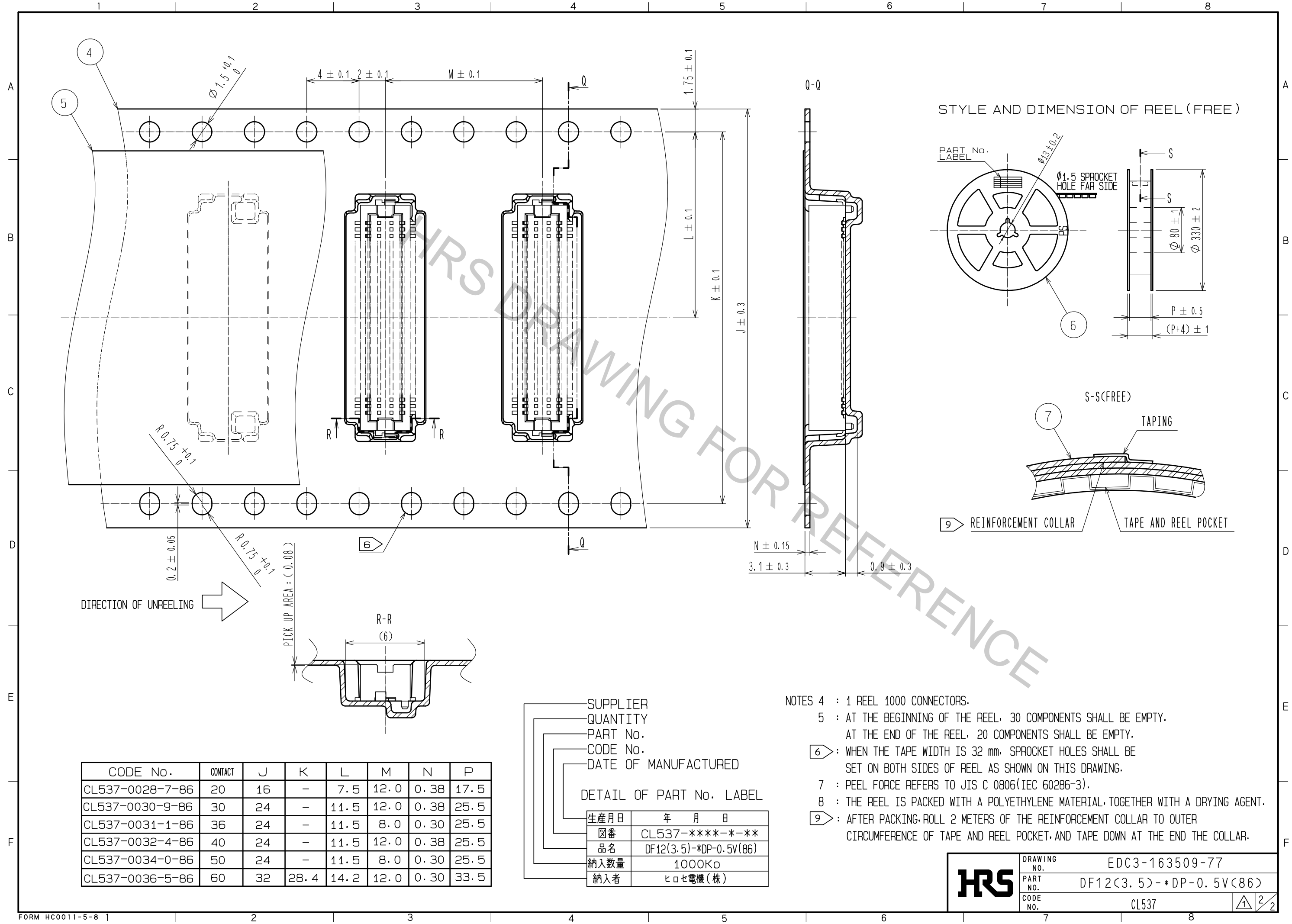


NO.	MATERIAL	FINISH	REMARKS	NO.	MATERIAL	FINISH	REMARKS
2	PHOSPHOR BRONZE		CONTACT AREA:GOLD PLATED 0.2μm min LEAD AREA:GOLD PLATED 0.015μm MIN OTHERS(UNDER PLATING):NICKEL PLATED 2μm min	7	PS		CLEAR (REINFORCEMENT COLLAR)
1	POLYAMIDE		UL94V-0, NATURAL (BEIGE)	6	PS		BLACK (PLASTIC REEL)
				5	POLYESTER		CLEAR (COVER TAPE)
				4	PS		CLEAR (EMBOSSED CARRIER TAPE)
				3	BRASS		TIN PLATED 2μm MIN (UNDER PLATING):NICKEL 1μm MIN

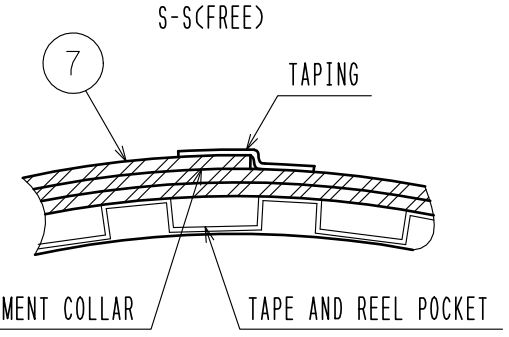
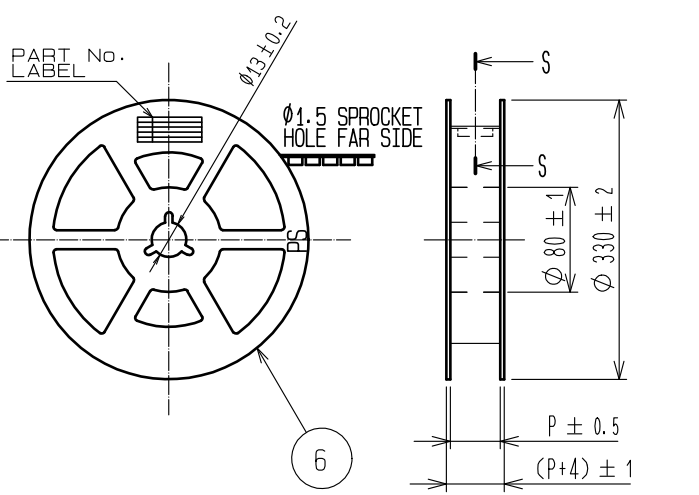
UNITS	SCALE	COUNT	DESCRIPTION OF REVISIONS	DESIGNED	CHECKED	DATE
mm	5 : 1	1	DIS-H-00001707	SH. HOSODA	TS. MIYAZAKI	16.06.10

APPROVED	CHECKED	DESIGNED	DRAWN	DATE
KH. IKEDA	YH. MICHIDA	YN. SAKAMOTO	YN. SAKAMOTO	12.11.06

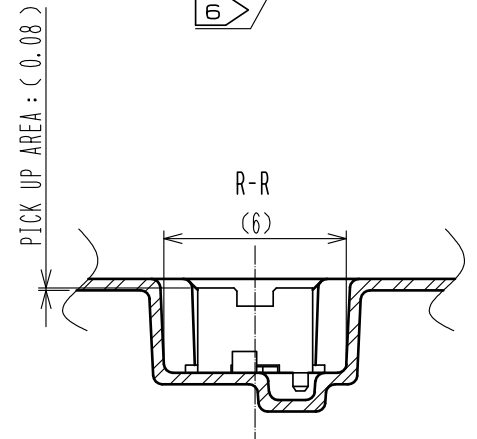
DRAWING NO.	PART NO.	CODE NO.
EDC3-163509-77	DF12(3.5)-*DP-0.5V(86)	CL537



STYLE AND DIMENSION OF REEL (FREE)



DIRECTION OF UNREELING →



CODE No.	CONTACT	J	K	L	M	N	P
CL537-0028-7-86	20	16	-	7.5	12.0	0.38	17.5
CL537-0030-9-86	30	24	-	11.5	12.0	0.38	25.5
CL537-0031-1-86	36	24	-	11.5	8.0	0.30	25.5
CL537-0032-4-86	40	24	-	11.5	12.0	0.38	25.5
CL537-0034-0-86	50	24	-	11.5	8.0	0.30	25.5
CL537-0036-5-86	60	32	28.4	14.2	12.0	0.30	33.5

SUPPLIER
 QUANTITY
 PART No.
 CODE No.
 DATE OF MANUFACTURED

DETAIL OF PART No. LABEL

生産月日	年 月 日
図番	CL537-****-*-**
品名	DF12(3.5)-*DP-0.5V(86)
納入数量	1000K ϕ
納入者	ヒロセ電機(株)

- NOTES 4 : 1 REEL 1000 CONNECTORS.
 5 : AT THE BEGINNING OF THE REEL, 30 COMPONENTS SHALL BE EMPTY.
 AT THE END OF THE REEL, 20 COMPONENTS SHALL BE EMPTY.
 6 : WHEN THE TAPE WIDTH IS 32 mm, SPROCKET HOLES SHALL BE SET ON BOTH SIDES OF REEL AS SHOWN ON THIS DRAWING.
 7 : PEEL FORCE REFERS TO JIS C 0806(IEC 60286-3).
 8 : THE REEL IS PACKED WITH A POLYETHYLENE MATERIAL, TOGETHER WITH A DRYING AGENT.
 9 : AFTER PACKING, ROLL 2 METERS OF THE REINFORCEMENT COLLAR TO OUTER CIRCUMFERENCE OF TAPE AND REEL POCKET, AND TAPE DOWN AT THE END THE COLLAR.

HRS	DRAWING NO.	EDC3-163509-77
	PART NO.	DF12(3.5)-*DP-0.5V(86)
	CODE NO.	CL537