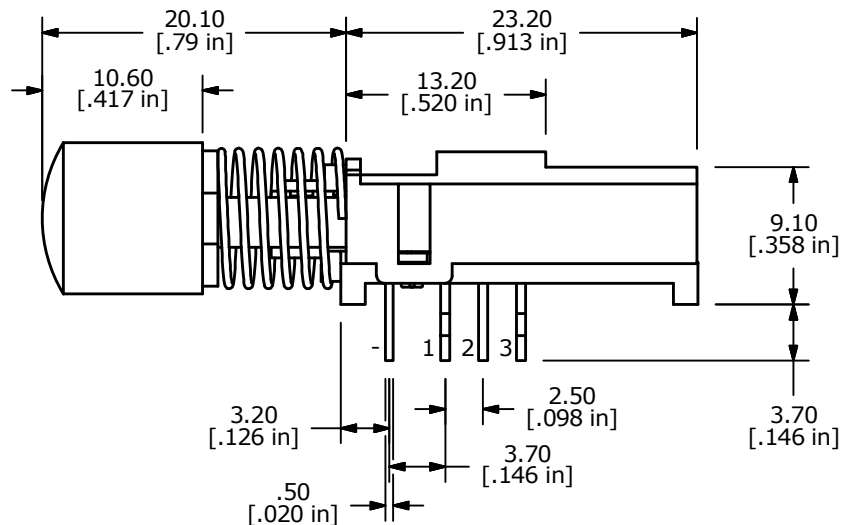
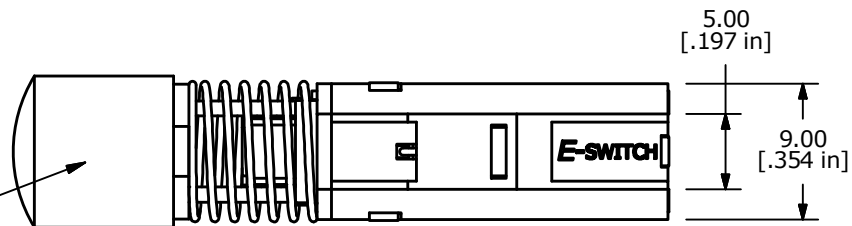
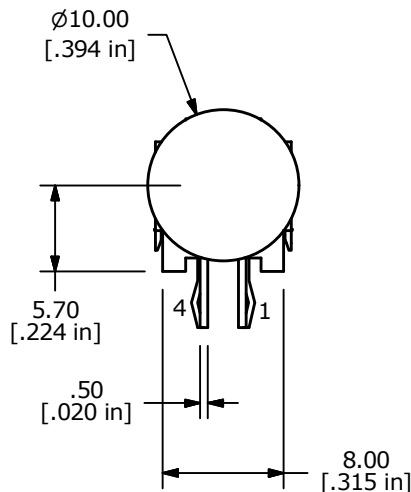


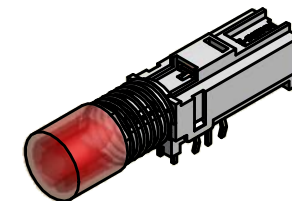
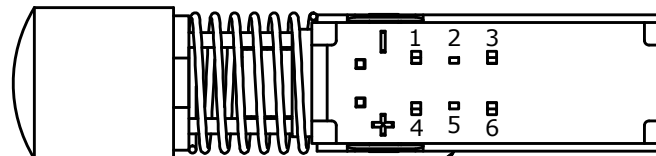
NOTES:

1. ALL DIMENSIONS IN MM [INCH]
2. GENERAL TOLERANCE: x.x=± 0.4mm  
x.xx=± 0.25mm
3. RATING: DC 30V, 0.3A
4. OPERATING FORCE: 200± 100gf
- ▲ 5. TRAVEL: FULL: 3.3mm, LOCK: 2.5mm
6. LIFE CYCLES: 10,000 CYCLES
7. OPERATING TEMPERATURE: -20°C TO 70°C
8. CONTACT RESISTANCE: 20mΩ MAX.
9. INSULATION RESISTANCE: 100MΩ MIN@ 500VDC.
- ▲ 10. LED COLOR: RED
11. ▲ DENOTES CRITICAL PARAMETER.
12. 2002/95/EC (RoHS) COMPLIANT.

▲ R05 BUTTON  
TRANSPARENT  
(B410000)



▲ WBL2EERQ  
(B400008)



LED SPECS	UNITS	RED
FORWARD CURRENT	mA	20
FORWARD VOLTAGE @20mA	V	1.7 Typ-2.6 Max
LUMINOUS INTENSITY @ 10mA	MCD	1.6-2.6



REV	PCR NO	DESCRIPTION	DATE	BY
B	22658	update the Circuit Diagram	12/30/16	MW
A	19754	RELEASE FOR PRODUCTION	3/11/11	BGL

TITLE WBL2UEERQR05CLR				
SCALE	DATE	DR	DWG	REV
2:1	3/11/2011	BGL	XB0930P	B

THE INFORMATION CONTAINED IN THIS DOCUMENT IS PROPRIETARY TO E-SWITCH AND IS NOT TO BE COPIED OR TRANSFERRED