



Copyright FCI



FCIconnect.com

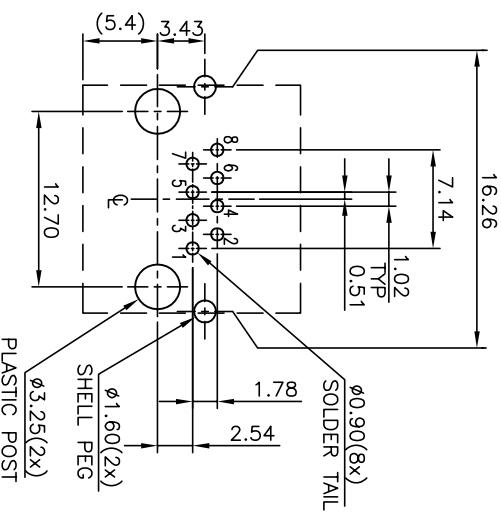
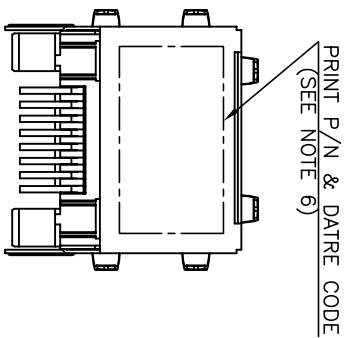
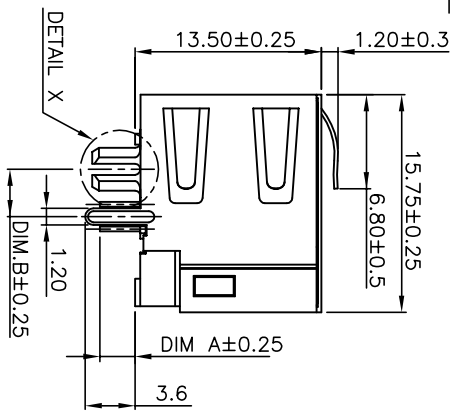
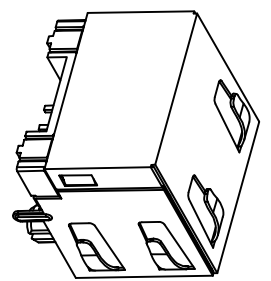
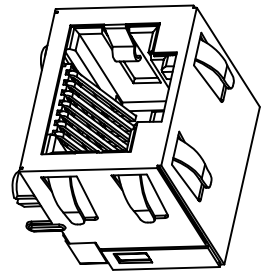
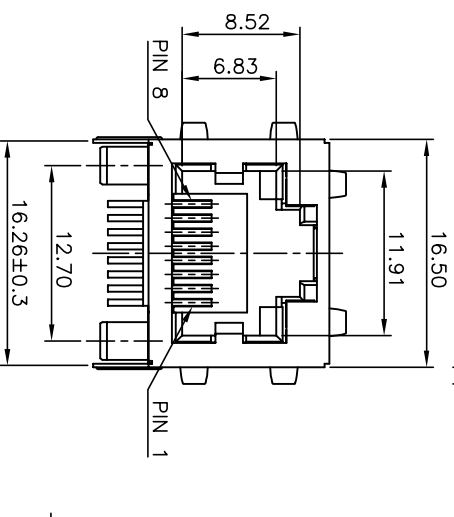
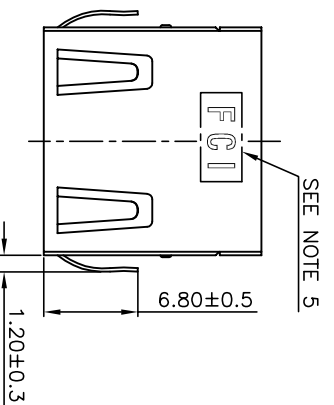


3

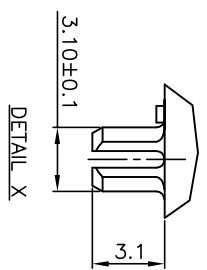
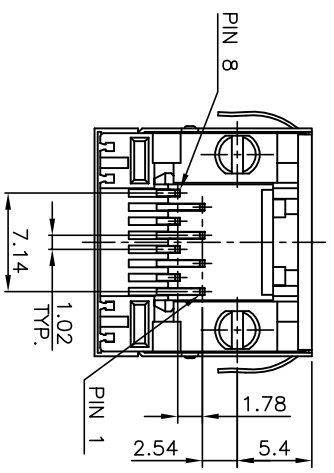


4

PART NUMBER	DIM.A	DIM.B	COMMENT
10117863-X0360X0LF	2.54	3.43	WITHOUT LED
10117863-X0390X0LF	2.20	3.43	WITHOUT LED



RECOMMENDED PCB LAYOUT
 PCB THICKNESS: 1.0mm
 TOLERANCE: ±0.05mm (TOP VIEW)



mat'l. code	ecn no	dr	date	surface	tolerance	projection	product family
	A	WL	07/28/11	ASME Y14.5	ASME Y14.5	MM	MODULAR JACK, TAP UP
	B	WL	08/26/11	tolerances unless otherwise specified			DIP TYPE WITH SHIELD
	C	HE	03/05/13	X±1°	X.XXX±0.15	scale	
	D	HE	05/24/13				
				engr WENDY CHEN	03/24/11		
				chr WENDY CHEN	03/24/11		
				pppl GARY HSEH	03/24/11		
sheet	revision	D	D				
index	sheet	1	2	3			



dwg no
10117863

sheet 1 of 3 size
A4
CUSTOMER Drawing

form: A4mmXlc

1

2

3

4



Copyright FCI



FCIconnect.com



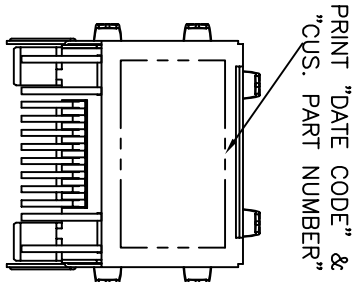
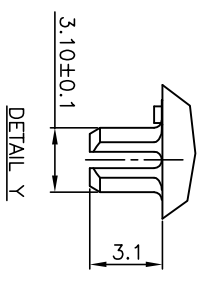
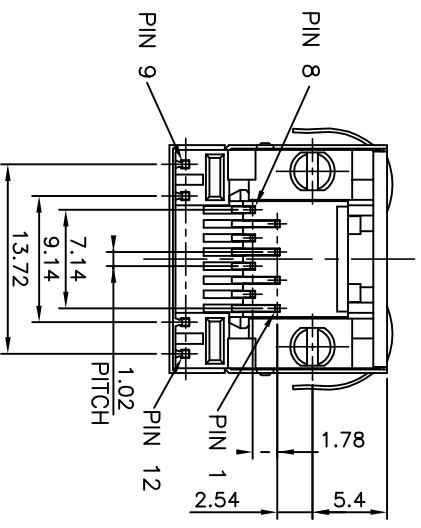
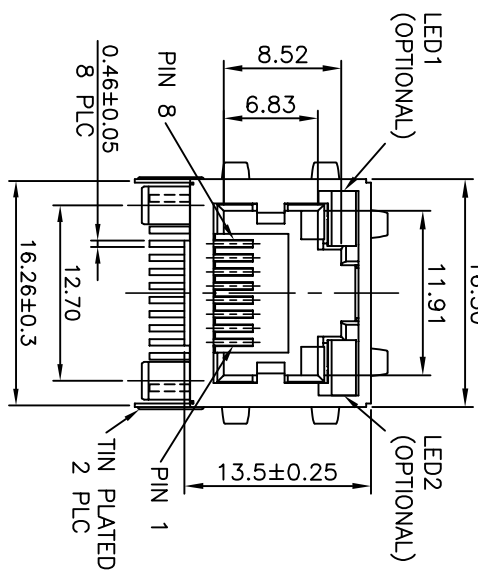
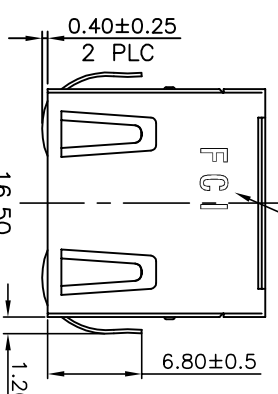
3



4

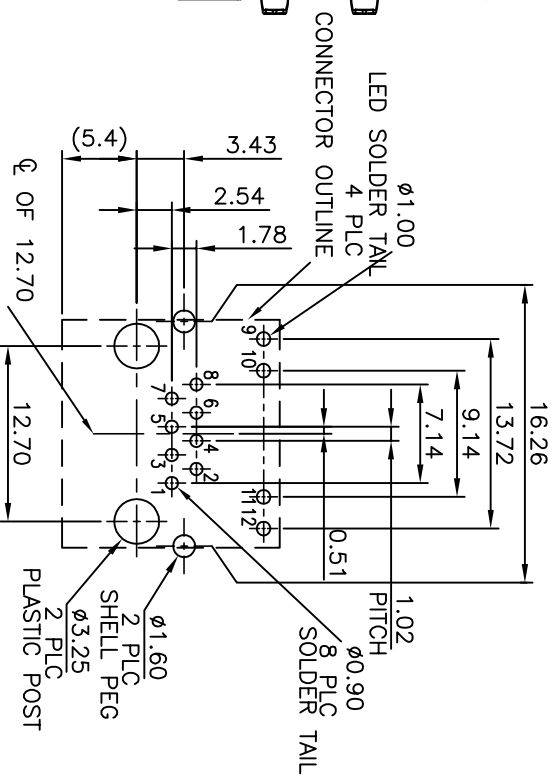
PART NUMBER	DIM.A	DIM.B	COMMENT
10117863-XX360XOLF	2.54	3.43	WITH LED
10117863-XX390XOLF	2.20	3.43	WITH LED

SEE NOTE 5



9+ - -10 11+ - -12
LED SCHEMATIC

RECOMMENDED PCB LAYOUT
PCB THICKNESS: 1.0mm
TOLERANCE: ±0.05mm (TOP VIEW)



mat'l. code	surface	tolerance	projection	product family
tr	ecm no	dr	date	ASME Y14.5
D	angles	tolerances unless otherwise specified	ASME Y14.5	MODULAR JACK, TAP UP DIP TYPE WITH SHIELD
	dr	WENDY CHEN 03/24/11	MM	
	engr	WENDY CHEN 03/24/11	scale	
	chr	WENDY CHEN 03/24/11	dwg no	10117863
	pppd	GARY HSEH 03/24/11	sheet 2 of 3	size A4
sheet	revision	BX1 BX1	type	CUSTOMER Drawing
index	sheet	1 2		

form: A4mmXlc

1

2

3

4

