

NOTES:

1.0 MATERIALS:

1.1 HOUSING: STAINLESS STEEL PER ASTM-A582, TYPE 303.

1.2 CENTER CONTACT: BERYLLIUM COPPER ROD ALLOY C172, PER ASTM-B196.

2.0 PLATING:

2.1 HOUSING: PASSIVATED PER MIL-F-14072 AND QQ-P-35

2.2 CENTER CONTACT: GOLD PER MIL-G-45204, TYPE II, CLASS 2.

3.0 ELECTRICAL SPECIFICATIONS:

3.1 FREQUENCY RANGE: DC to 18.0 GHz

3.2 VSWR (MAX):

DC to 4.0 GHz: 1.04:1

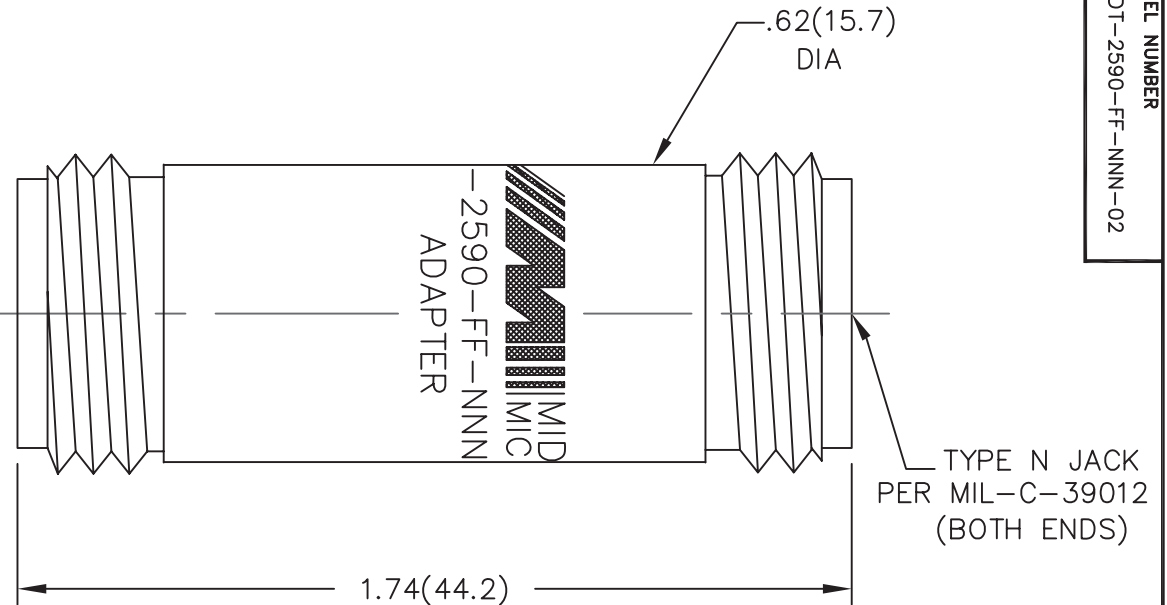
4.0 to 8.0 GHz: 1.06:1

8.0 to 18.0 GHz: 1.10:1

3.3 IMPEDANCE: 50 OHMS

4.0 MARKING: MARK UNIT AS SHOWN (REF.: INK-02669-27-15)


5.0 DIMENSIONS IN PARENTHESIS ARE IN MILLIMETERS.



MODEL NUMBER
ADT-2590-FF-NNN-02

DWG NO. WAS: 02412-01-00

REV.	DESCRIPTION	DATE
-	RELEASED	8/9/78
A	ECR 6545	6/29/89
B	ECN 10783	7/16/91
C	REDRAW ON CAD	11/30/92

<p>NOTICE: The information contained in this drawing is proprietary and must not be used without the permission of Cinch Connectivity Solutions.</p> <p>UNLESS OTHERWISE NOTED DIMENSIONS ARE IN INCHES AND TOLERANCES ARE:</p> <p>3 PLACE DECIMALS ±.005 2 PLACE DECIMALS ±.02 FRACTIONS ±1/64 PARALLELITY: T.I.R. _____ FLATNESS: T.I.R. _____ CONCENTRICITY: T.I.R. _____ ANGLES AND PERPENDICULARITY: ±1'</p>	<p>CAGE CODE 34078</p>		<p>MIDWEST MICROWAVE</p>	
			<p>TITLE ADAPTER N JACK/N JACK OUTLINE DRAWING</p>	
	<p>DRAWN/DATE A.BEATTY 11/30/92</p>	<p>ENG./DATE A.OSGA 12/4/92</p>	<p>DRAWING NUMBER ADT-2590-FF-NNN-02-01</p>	<p>REV. C</p>
	<p>CHECKED/DATE M.HOLLMANN 12/3/92</p>	<p>APPROVED/DATE</p>	<p>SCALE: 5=1</p>	<p>SHEET 1 of 1</p>