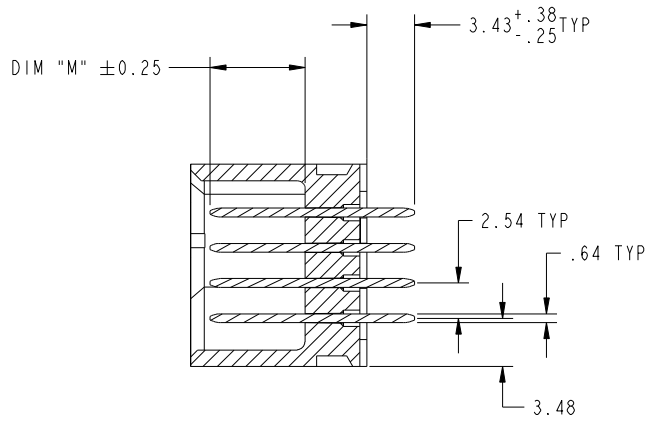


Tous droits strictement reserves. Reproduction ou communication a des tiers interdite sous quelque forme que ce soit sans autorisation écrite du propriétaire. Propriete de c FCI. Droits de reproduction FCI.

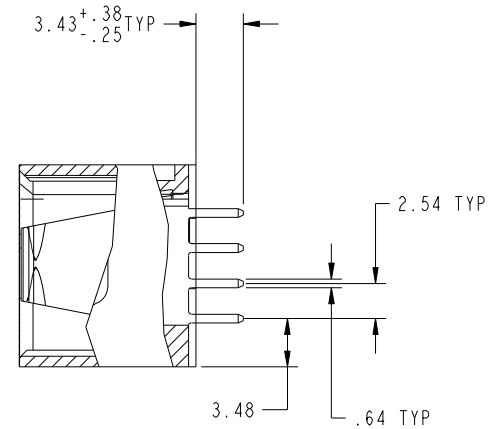


All rights strictly reserved. Reproduction or issue to third parties in any form whatever is not permitted without written authority from the proprietor. Property of FCI. Copyright FCI.

PRODUCT NUMBER
51952-081--
NOTE: 3



SECTION A-A
SCALE 2:1



SECTION B-B
SCALE 2:1

mat'l code		SEE NOTE		tolerances unless otherwise specified		CUSTOMER		www.fciconnect.com	
ltr	ecr no.	dr	date	linear	0.X ±0.5	COPY		title	
B					0.XX ±0.25	projection		28S + 8P VERTICAL SOLDER HEADER	
				angles	0.XXX ±0.10			product family PwrBlade code	
				dr	0° ±2°	scale		size	
				enr	SLUO 3/11/05	1:1		dwg no 213	
				chr	SLUO 3/28/05	A		sheet 2	
				appd	VICTOR LIN 3/11/05			51952-081	
					JOSEPH HSIA 3/11/05				
sheet index	revision sheet								

cage code 22526

Pro/E

Tous droits strictement reserves. Reproduction ou communication a des tiers interdite sous quelque forme que ce soit sans autorisation écrite du propriétaire. Propriete de c FCI. Droits de reproduction FCI.



All rights strictly reserved. Reproduction or issue to third parties in any form whatever is not permitted without written authority from the proprietor. Property of FCI. Copyright FCI.

PRODUCT NUMBER
51952-081--
NOTE: 3

NOTES:

1. DIMENSIONS AND TOLERANCES ARE IN ACCORDANCE WITH ASME Y14.5M, 1994 UNLESS OTHERWISE SPECIFIED.

CONNECTOR NOTES:

2 HOUSING MATERIAL: UL 94 V-0 GLASS FILLED
HIGH-TEMP THERMOPLASTIC
POWER CONTACT MATERIAL: COPPER ALLOY
SIGNAL PIN MATERIAL: COPPER ALLOY

3 PLATING:
SEE ITEM 1 & 2 IN PRINT 10064183 FOR PLATING SPEC OF 51952-081; 51952-081LF RESPECTIVELY.

4 NEED TYCO TRADE NAME "AMP", TYCO P/N, FCI DATE CODE TO APPEAR ON THE HOUSING SURFACE.

5. PRODUCT SPECIFICATION GS-12-149.
APPLICATION SPECIFICATION BUS-20-067.

6. PACKAGED IN TRAYS.

PCB NOTES:

7. ALL HOLE DIAMETERS ARE FINISHED HOLE SIZE.

8. MOUNTING HOLES, WHERE APPLICABLE, ARE UNPLATED.

9 $\varnothing 1.151 \pm 0.025$ DRILLED HOLES PLATED WITH
0.008 MIN SnPb OR Sn OVER 0.03
TO 0.08 Cu PLATING TO ACHIEVE
 $\varnothing 1.02 \pm .07$ HOLE.

10 "DIM XXX" TO BE DETERMINED BY THE CUSTOMER.

11 CONNECTOR KEEP-OUT ZONE.

12. A Δ SYMBOL WILL BE NEXT TO ANY DIMENSION, VIEW, OR NOTE WHICH HAS BEEN MODIFIED WITH THE CURRENT DRAWING REVISION.

mat'l code		SEE NOTE		tolerances unless otherwise specified		CUSTOMER		www.fciconnect.com	
ltr	ecr no.	dr	date	linear	0.X ± 0.5	COPY		title	
B					0.XX ± 0.25	projection		28S + 8P VERTICAL SOLDER HEADER	
				angles	0.XXX ± 0.10			product family PwrBlade code	
				dr	0° + 2°			size	
				enrg	SLUO 3/11/05	scale		213	
				chr	SLUO 3/28/05	1:1		sheet	
				appd	VICTOR LIN 3/11/05	A		4	
					JOSEPH HSIA 3/11/05			51952-081	
sheet index	revision sheet								

cage code 22526

Pro/E