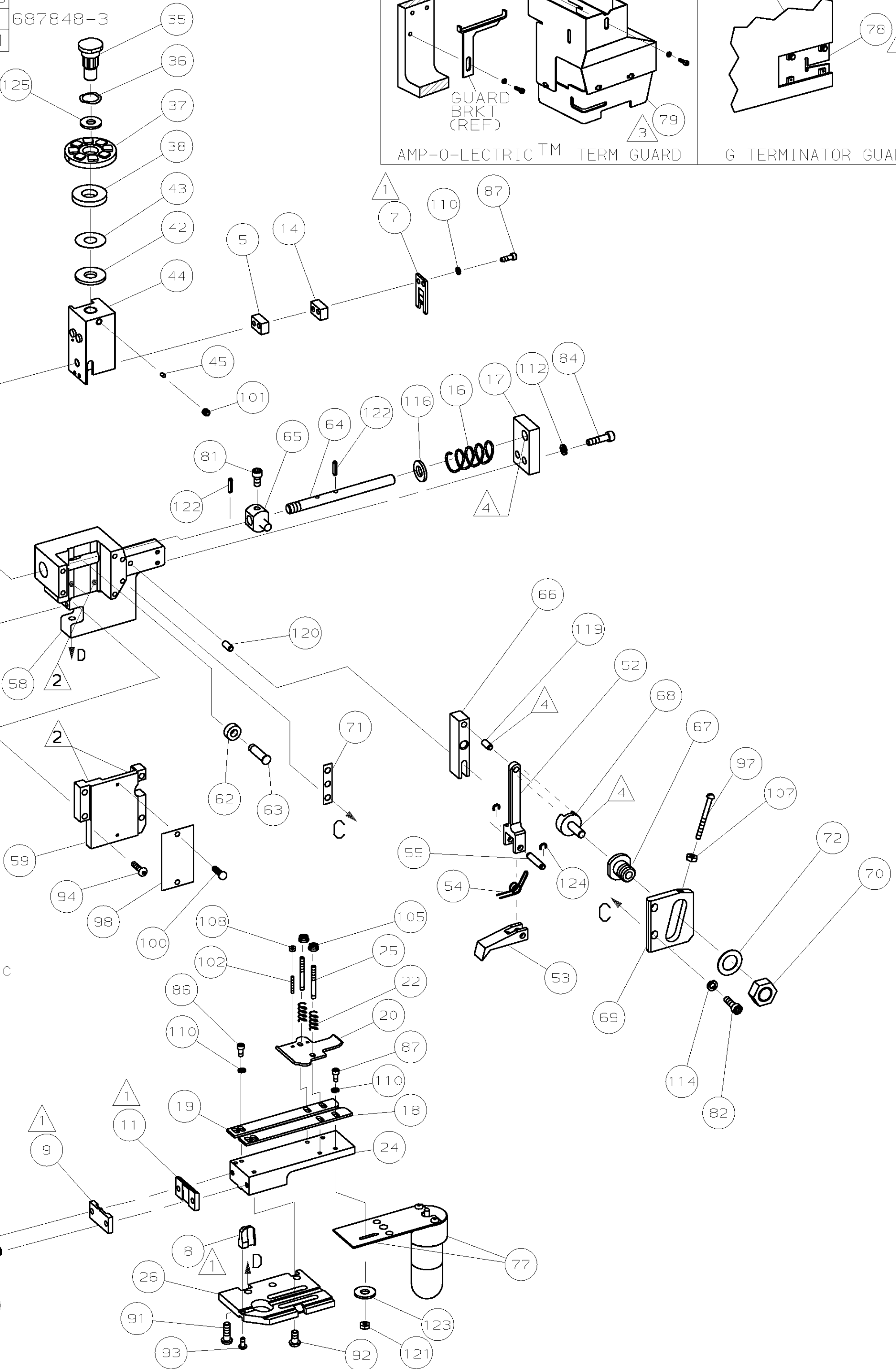
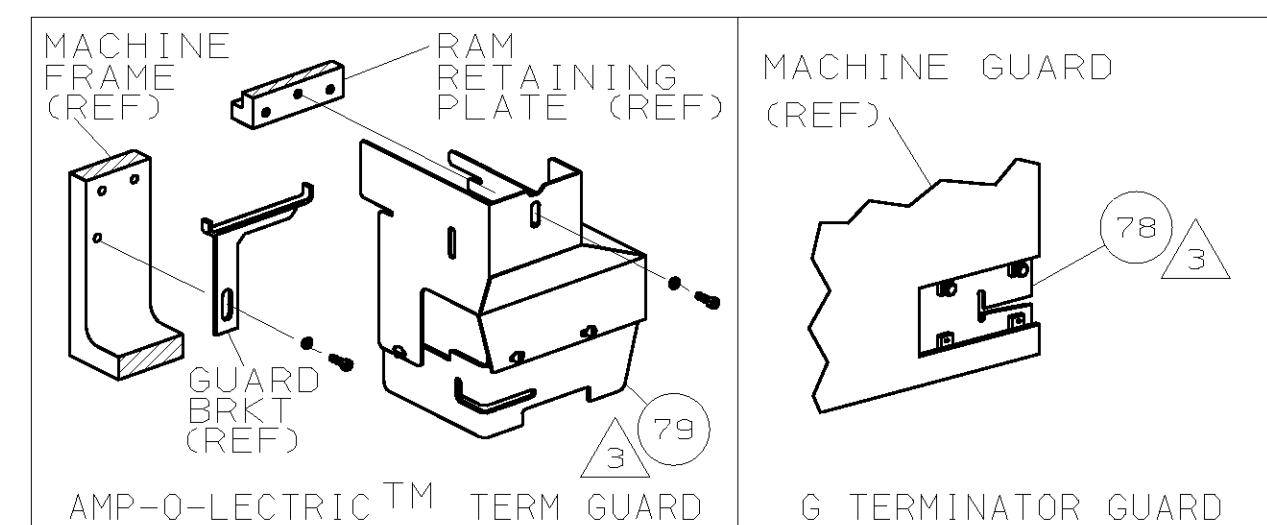


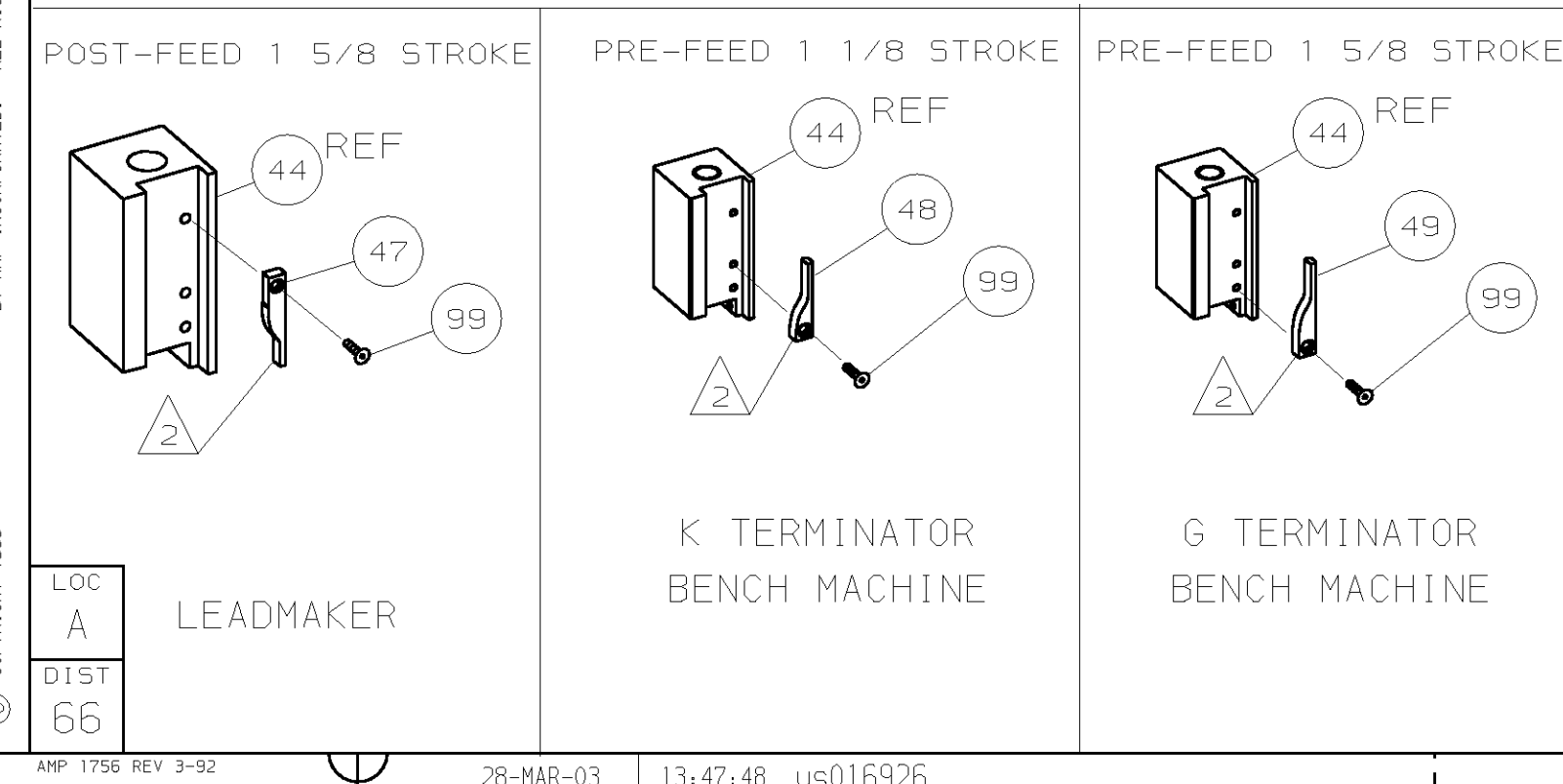
PART NUMBER	REV	FIRST USED
687848-1	J	122500-1
687848-2	J	565435-5
687848-3	-	SEE DRAWING
687848-4	J	354500-1



TERMINAL NAME: AMPLIVAR™ FASTIN-FASTON™ TAB					
CRIMPING DATA					
PAD LTR	CRIMP HEIGHT		WIRE SIZE		
A	.070 ±.002 [1.78 ±0.05mm]		16		
B	.067 ±.002 [1.7 ±0.05mm]		17		
C	.064 ±.002 [1.62 ±0.05mm]		18		
D	.060 ±.002 [1.52 ±0.05mm]		20 OR 21		
CRIMP	SIZE	TYPE	RANGE		
WIRE	.090 [2.29mm]	F	21-16 MAG		
INSUL	-	-	-		

QTY	WIRE STRIP LENGTH	TERM APPL	SPEC	FEED	APPL INSTRUCTION	SET UP GAGE	LAYOUT
2	2	2	-	C	3-354779-6	PIN, WIRE DISC (.3170)D	129
2	2	2	-	C	2-354779-8	PIN, WIRE DISC (.3130)C	128
2	2	2	-	C	2-354779-2	PIN, WIRE DISC (.3100)B	127
2	2	2	-	C	1-354779-6	PIN, WIRE DISC (.3070)A	126
1	1	1	-	A	986950-1	WASHER, FLAT PRECISION	125
REF	REF	REF	-	A	21045-3	RING, RET "C" (Ø.187)FD PIN	124
-	1	-	-	A	21055-6	WASHER, FLAT (NO.8) LUBE	123
REF	REF	REF	-	A	5-21028-1	PIN, STD SPRING (Ø.12)FD ADJ ROD	122
-	1	-	-	A	21018-6	NUT, HEX (NO.8) LUBE	121
REF	REF	REF	-	A	1-21030-7	PIN, DOWEL (Ø.187x1.50)H5G	120
REF	REF	REF	-	A	1-21030-1	PIN, DOWEL (Ø.187x.50)LEVER	119
							118
							117
REF	REF	REF	-	A	21899-4	WASHER, FLAT (Ø5/16)SCR ADJ	116
							115
REF	REF	REF	-	A	21024-5	WASHER, LOCK (NO.10)FD ADJ PL	114
2	2	2	-	A	21024-5	WASHER, LOCK (NO.10)SHEAR PL	113
REF	REF	REF	-	A	21024-5	WASHER, LOCK (NO.10)FD ROD GDE	112
							111
6	6	6	-	A	21024-4	WASHER, LOCK (NO.8)SHEAR BL	110
							109
2	2	2	-	A	21018-4	NUT, HEX (4-40)DRAG	108
REF	REF	REF	-	A	21018-5	NUT, HEX (6-32)FD ADJ PL	107
							106
2	2	2	-	A	21022-2	NUT, HEX 5L (8-32)DRAG STUD	105
							104
							103
2	2	2	-	A	2-21006-6	SCR, SKT SET (4-40x.62)DRAG	102
1	1	1	-	A	21009-2	SCR, SKT SET (1/4-20x.25)RAM	101
2	2	2	-	A	21017-2	SCR, DRIVE (#2x.19) ID PLATE	100
1	1	1	-	A	1-21002-7	SCR, BHC (6-32x.38)CAM	99
1	1	1	-	B	461264-1	PLATE, IDENTIFICATION	98
REF	REF	REF	-	A	6-23715-5	SCR, PAN HD (6-32x1.50)FEED ADJ	97
							96
2	2	2	-	A	2-21002-2	SCR, BHC (8-32x.50)STRIPPER	95
REF	REF	REF	-	A	2-21002-9	SCR, BHC (10-32x.75)H5G CAP	94
1	1	1	-	A	22733-8	SCR, BHC (8-32x.38 LW)ANVIL	93
4	4	4	-	A	3-21002-3	SCR, BHC (1/4-20x.50)ST 6D PL	92
REF	REF	REF	-	A	2-22733-8	SCR, BHC (1/4-20x.62)BASE PL	91
							90
							89
							88
2	3	2	-	A	2-21000-9	SCR, SHC (8-32x.75)SLUG BLADE	87
4	3	4	-	A	7-21000-4	SCR, SHC (8-32x.31)STRIP GUIDE	86
							85
REF	REF	REF	-	A	3-21000-7	SCR, SKT CAP (10-32x.75)FD GDE	84
							83
REF	REF	REF	-	A	3-21000-6	SCR, SKT CAP (10-32x.62)FD ADJ P	82
REF	REF	REF	-	A	3-21000-4	SCR, SKT CAP (10-32x.38)PIVOT BL	81
2	2	2	-	A	3-21000-8	SCR, SKT CAP (10-32x.88)5H PL	80
-	REF	-	-	A	455745-1	GUARD, WINDOW	79
REF	-	-	-	A	679532-1	INSERT, GUARD	78
-	1	-	-	C	1-465184-7	LUBRICATOR ASSY	77
							76
							75
							74
							73
REF	REF	REF	-	A	458109-1	WASHER, FLAT (SPECIAL)	72
REF	REF	REF	-	A	690517-1	SPACER	71
-4	-2	-1	U/M	DWG SIZE	PART NO	DESCRIPTION	ITEM NO

QTY	LEADMAKER	MECH POST FEED	MECH PRE FEED	DESCRIPTION	ITEM NO		
-1	BENCH MODEL K	MECH PRE FEED					
-4	BENCH MODEL G	MECH PRE FEED					
REF	REF	REF	-	A	22594-8	NUT, HEX	70
REF	REF	REF	-	B	240628-1	PLATE, ADJ	69
REF	REF	REF	-	B	240626-1	SHAFT, PIVOT	68
REF	REF	REF	-	B	240633-1	BUSHING	67
REF	REF	REF	-	A	455680-1	LEVER, INTERMEDIATE	66
REF	REF	REF	-	B	240629-1	BLOCK, PIVOT	65
REF	REF	REF	-	A	240632-2	SCR, ADJ	64
REF	REF	REF	-	B	240659-3	PIN, CAM ROLLER	63
REF	REF	REF	-	B	240658-1	CAM, ROLLER	62
REF	REF	REF	-	B	454398-1	ROD, FEED	61
							60
REF	REF	REF	-	C	454220-1	CAP, RAM	59
REF	REF	REF	-	D	453736-1	HOUSING	58
							57
							56
REF	REF	REF	-	B	240624-1	PIN, FEED FINGER	55
REF	REF	REF	-	B	691499-1	SPRING, FEED FINGER	54
REF	REF	REF	-	B	240635-1	FINGER, FEED	53
REF	REF	REF	-	B	240634-1	LEVER, TERMINAL	52
							51
							50
1	-	-	-	B	690602-6	CAM, PRE-FEED 1 5/8 ST	49
-	1	-	-	B	690602-5	CAM, PRE-FEED 1 1/8 ST	48
-	-	1	-	B	690501-4	CAM, POST FEED 1 5/8 ST	47
							46
1	1	1	-	A	690191-1	PLUG, NYLON	45
1	1	1	-	C	455674-1	RAM	44
1	1	1	-	A	690125-1	WASHER, LAMINATED	43
1	1	1	-	A	1-690124-0	WASHER, RAM	42
1	1	1	-	A	7-21002-9	BOLT, CRIMPER (5/16-24x1.00)	41
							40
							39
1	1	1	-	A	690223-2	SPACER, INSULATION DISC	38
1	1	1	-	D	354777-1	WIRE DISC, PLASTIC	37
1	1	1	-	A	22480-5	WASHER, SPRING	36
1	1	1	-	B	690212-1	POST, RAM	35
							34
							33
1	1	1	-	D	458980-1	APPLICATOR, BASIC (SUB ASSY)	32
							31
							30
							29
1	1	1	-	B	1-690451-1	SPACER, STRIPPER	28
1	1	1	-	A	240639-1	STRIPPER	27
REF	REF	REF	-	C	455676-1	PLATE, BASE	26
2	2	2	-	A	22354-8	DRAG, STUD	25
1	1	1	-	B	455678-1	PLATE, STRIP GUIDE	24
							23
2	2	2	-	A	4-22281-1	SPRING, DRAG	22
							21
1	1	1	-	A	454177-1	DRAG, STOCK	20
1	1	1	-	B	1-458030-6	GUIDE, STRIP (REAR)	19
1	1	1	-	C	1-458031-6	GUIDE, STRIP (FRONT)	18
REF	REF	REF	-	A	454178-1	GUIDE, FEED ROD	17
REF	REF	REF	-	A	4-22284-9	SPRING, FEED RETURN	16
							15
							14
							13
							12
1	1	1	-	B	240644-1	PLATE, REAR SHEAR	11
							10
1	1	1	-	B	690482-6	PLATE, FRONT SHEAR	9
1	1	1	-	D	456537-1	ANVIL	8
1	1	1	-	B	4-690474-1	BLADE, SLUG	7
							6
1	1	1	-	C	7-240641-7	SPACER, SLUG BLADE	5
							4
							3
							2
1	1	1	-	C	1-456406-1	CRIMPER, WIRE	1
-4	-2	-1	U/M	DWG SIZE	PART NO	DESCRIPTION	ITEM NO



- 1 RECOMMENDED SPARE PARTS.
- 2 GREASE LIGHTLY.
- 3 GUARD MUST BE IN PLACE WHEN OPERATING APPLICATOR IN A BENCH MACHINE.
- 4 LUBRICATE DAILY USING NO. 20 MACHINE OIL.
- 5. ITEMS WITH QTY OF REF SPECIFIED (EXCEPT ITEMS 78 AND 79) ARE USED ON ITEM 32.

THIS DRAWING IS A CONTROLLED DOCUMENT.

RELEASED FOR PUBLICATION APR 20, 1999
 BY AMP INCORPORATED. ALL RIGHTS RESERVED.
 THIS DRAWING IS UNCLASSIFIED
 COPYRIGHT 1999
 LOC A
 DIST 66
 AMP 1756 REV 3-92

REV	DATE	DESCRIPTION
J2	ECN 0150-0340-03	TE 3-03
J1	0150-0282-03 ADD-1	CE MAR03
J	0150-9266-99	BH 4/99
H	0150-6789-96	BH 4/96
G	0150-6147-95	CE 5/95
F	0150-6076-95	CE 4-95
E	ECN 0150-5950-95, ADD-4	CE 2-95

DIMENSIONS IN INCHES. DO NOT SCALE PRINT. TOLERANCES UNLESS OTHERWISE SPECIFIED:
 2 PLC DEC ±
 3 PLC DEC ±
 4 PLC DEC ±
 ANGLES ±
 SURF TEXTURE: ✓
 REMOVE BURRS, BREAK SHARP EDGES R.015 MAX

MATL - HT TR - FIN -

DR M. OBRINE 2/14/95 APP 5. FERRANTI 2-14-95
 CHK 2-14-95 REL 2/24/95 C. ERISMAN B. MORGAN

NAME END FEED HDM APPLICATOR MACHINE REF MINI APPL
 SCALE - DWG NO 687848 SHEET 1 OF 1 REV J2

CASE CODE 00779 CUSTOMER AND ASSEMBLY DRAWING RESTRICTED TO