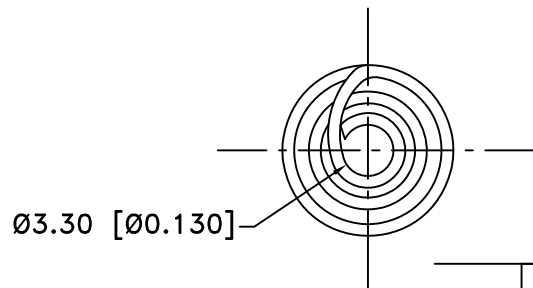
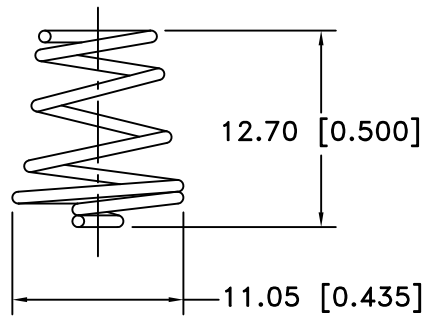
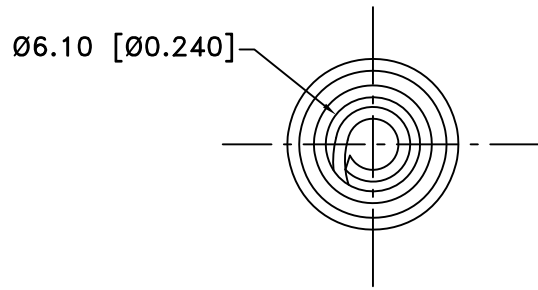



Date	SYM	REVISION RECORD	AUTH	DR.	CK.



NOTES:
 MATERIAL: SPRING STEEL WIRE, HIGH CARBON STEEL, NICKLE PLTD
 RE BCAA-HD WITH WIRE DIA 0.032" (0.8mm).
 ROHS COMPLIANT

Tolerance (Except as noted)	 Memory Protection Devices, Inc 200 Broad Hollow Road, Farmingdale, New York 11735	Scale	Drawn By B.S.
			Approved By T.B.
decimal ±.5 (.020)	Title AA BATTERY SPRING CONTACT, HEAVY DUTY	Date 12/18/09	Drawing Number BC-AA-HD
Fractional ± .8 (.030)			
Angular ± 3°			