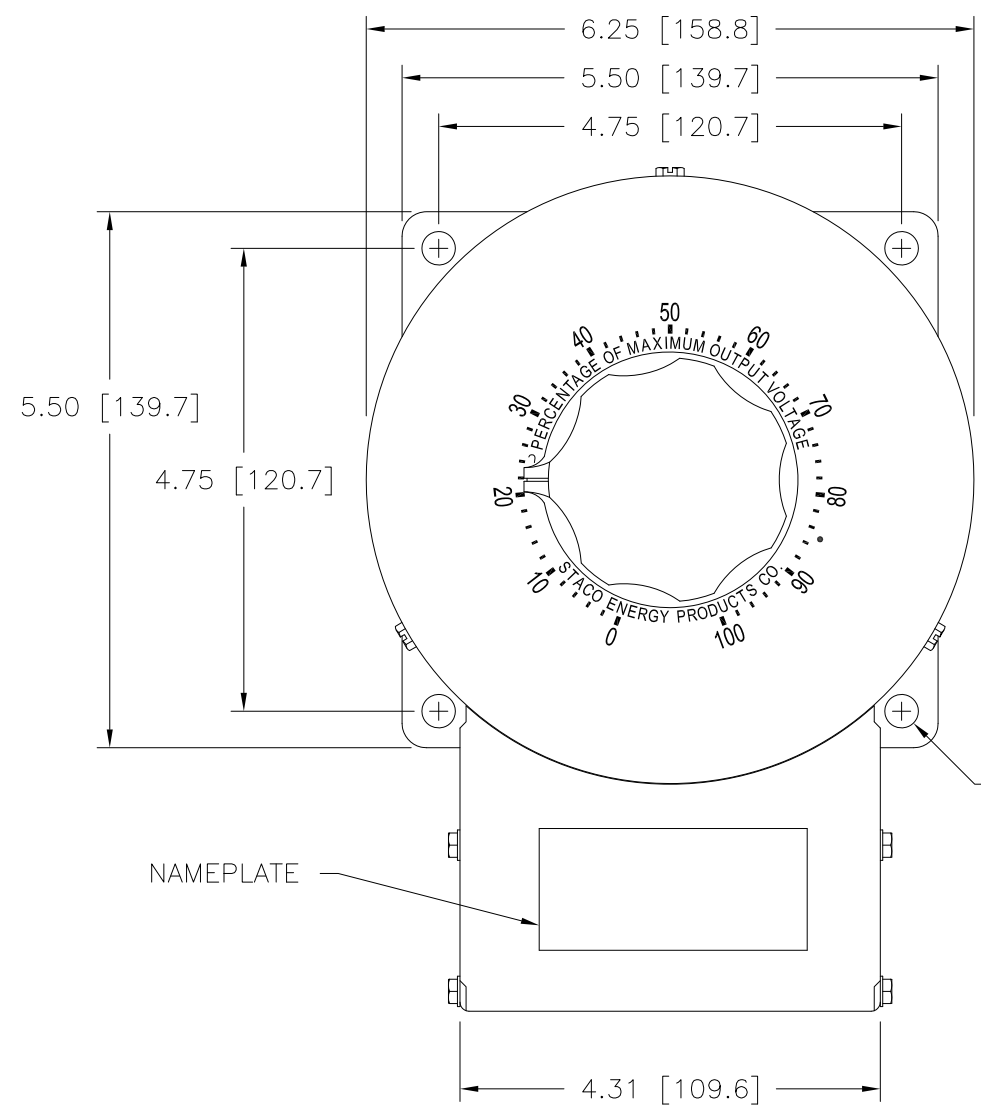
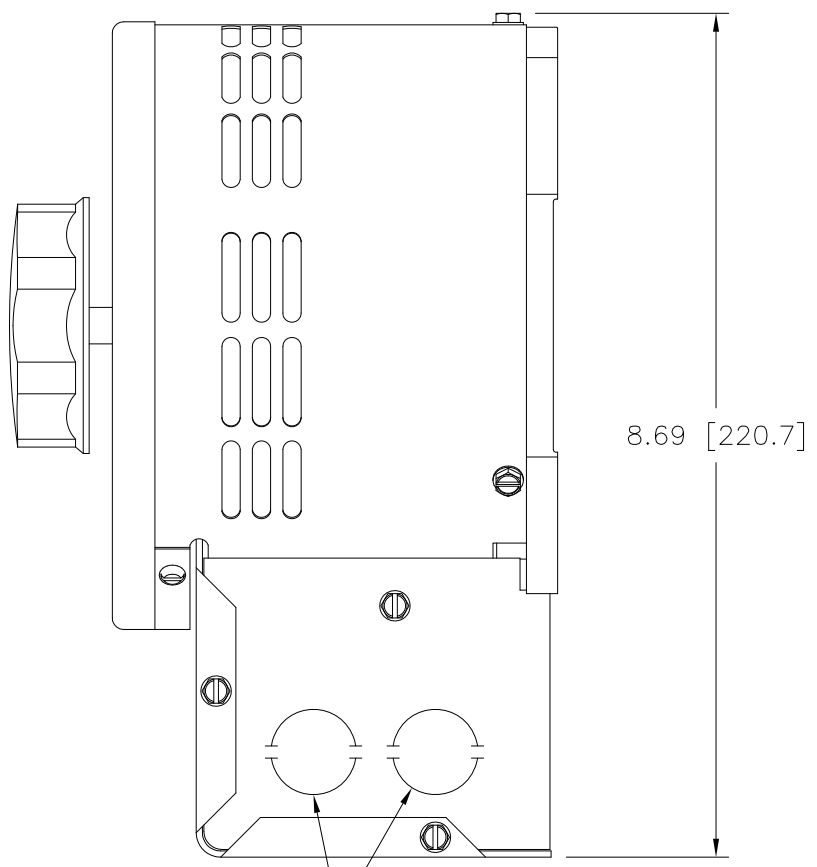


DWG. NO.	031-3651		
REVISIONS			
SYM.	E.C.N.	DATE	APVD.
A	23902	12/16/98	REDRAWN ON CAD
B	25804	10/16/06	UPDATED PER SCREEN 639-0243
C	28069	12/5/14	UPDATED PER SCREEN 639-0243

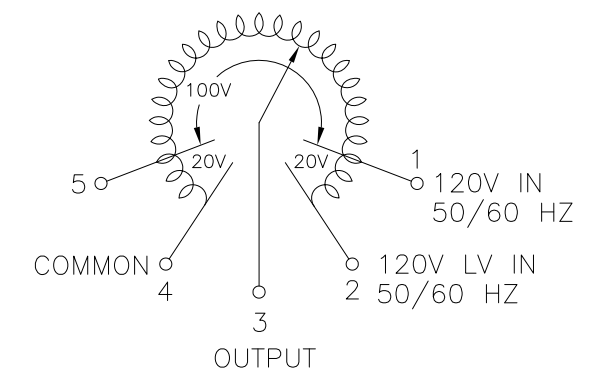


.34 [8.7] DIA. HOLE  
4 PLACES FOR  
CUSTOMER MOUNTING

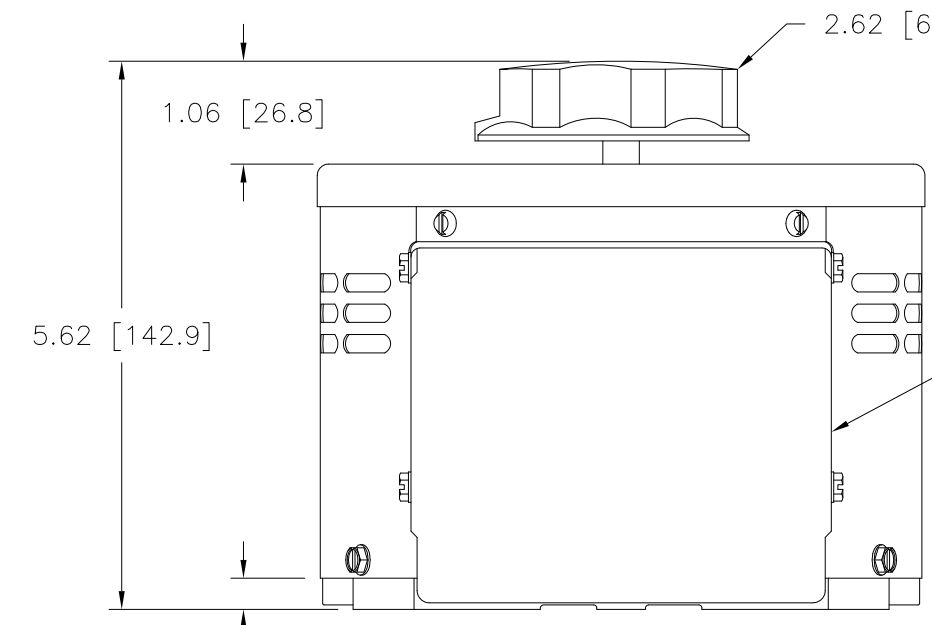


.88 [22.2] DIA. KNOCKOUT  
2 PLACES EACH SIDE

NOTE:  
UNIT IS SUPPLIED WITH A 3.75 [95.2] DIA.  
0-100 GRADUATED DIAL PLATE FOR PANEL  
MOUNTING.



OUTPUT  
COIL SCHEMATIC  
AS VIEWED FROM BASE END  
FUSE RECOMMENDED BUT  
NOT SUPPLIED



REMOVABLE COVER FOR  
ACCESS TO TERMINAL BOARD

.32 [8.1] THK.  
MTG. FLANGE

SPECIFICATIONS										
WIRING	INPUT		OUTPUT				SHAFT ROTATION TO INCREASE VOLTAGE	TERMINAL CONNECTIONS		
	VOLTS	HERTZ	VOLTS	CONSTANT CURRENT LOAD MAX. AMPS	CONSTANT IMPEDANCE LOAD MAX. KVA	MAX. AMPS		MAX. KVA	FOR INCREASING VOLTAGE AS VIEWED FROM BASE END	
SINGLE PHASE	120	50/60	0-120	15	1.80	20	2.40	CW	2-4	4-3
			0-140	15	2.10	—	—	CCW	2-4	2-3
								CW	1-4	4-3
								CCW	5-2	2-3

UNLESS OTHERWISE SPECIFIED, TOLERANCE IS ±	DECIMALS	HOLES	ANGLES	DRAFT	UNITS	TITLE:	S.A. SMITH		DATE	FIRST USED ON	DO NOT
.XXX	.06	.01	1°	1-1/2°	IN [mm]	SPEC. CONTROL DRAWING	11/15/96		1510CT	SCALE DWG.	
MATERIAL:	ALL DIMENSIONS APPLY AFTER PLATING				WEIGHT APPROX.	16 LBS		CAGE CODE	83008	DWG. NO.	
The information and design disclosed herein was originated by and is the property of STACO ENERGY PRODUCTS CO., which reserves all patent, proprietary, design, manufacturing, reproduction, use and sale rights thereto, and to any article disclosed therein except to the extent rights are expressly granted to others. The foregoing does not apply to vendor proprietary parts.						ENGINEER	DATE	SCALE	1=1	SHEET 1 of 1	DWG. NO.
										D	031-3651

