



**Flight LT - CR0405LB - -032620 - No**  
**40x20 - C50**  
 (Family) (Model) (Part #) (In Stock)



### Electrical Specifications

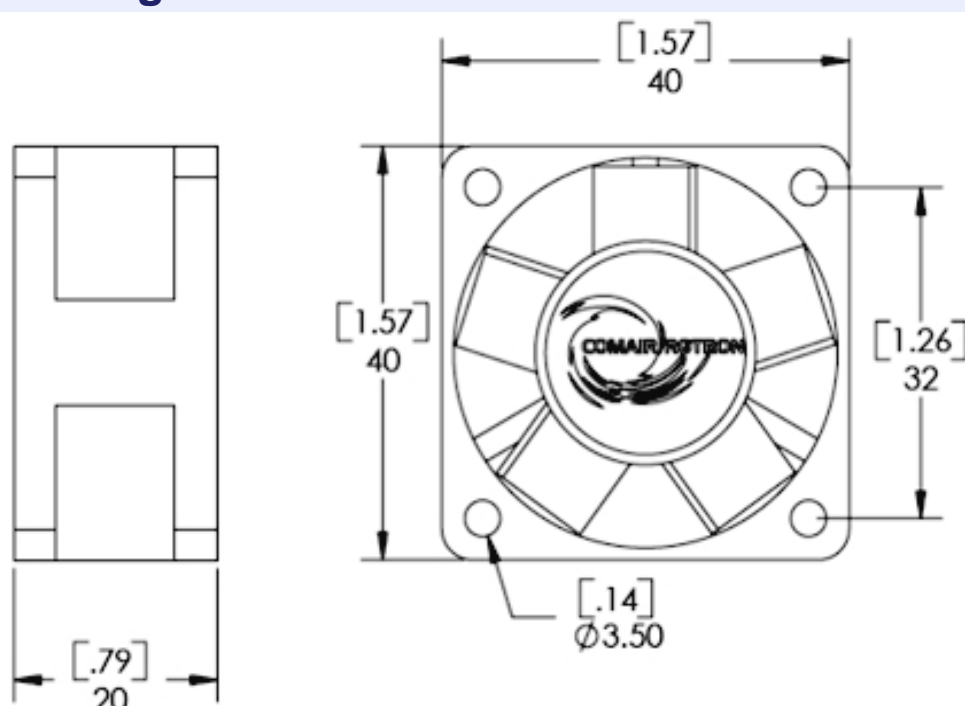
Operating Voltage:	5 Volts
Voltage Range:	4.5 - 5.5 Volts
Power Supply:	0.7 Watts
Line Current:	0.14 Amps
Locked Rotor Current	0.14 Amps
Nominal Speed:	6000 RPM

### Mechanical Specifications

Dimensions:	1.6 x 1.6 x 0.8 in
Weight	1.2 oz
Max Airflow @ 0 in H <sub>2</sub> O	7.5 CFM
Max Pressure @ 0 CFM	0.160 in H <sub>2</sub> O
Noise	22.4 dBA



### Mechanical Drawing



<b>Comair Rotron, Inc.</b> Phone: 858.348.6200 FAX: 858.566.4577 sales@comairrotron.com	<b>ThermaFlo, Inc.</b> Phone: 972.312.8609 FAX: 972.312.8617 info@thermaflo.com	<b>Comair Rotron Europe, Ltd.</b> Phone: +44.1527.520525 FAX: +44.1527.520565 saleseurope@comairrotron.com	<b>Comair Rotron Fan Company Ltd.</b> Phone: +86.21.52260581 FAX: +86.21.52260597 salesasia@comairrotron.com
--	--	---	---

Print Date: Saturday, August 18, 2007 at 23:52:37 - DC Fan Datasheet - Web Version 1.0 Rev. B



### Fan Performance Curve

### Fan Configuration Options

**Flight LT 40x20** (Family) / **CR0405LB - C50** (Model) / **032620** (Part #) / **No** (In Stock)

Fan Speed:	6000 RPM	Fan Bearings:	Ball Bearings
Fan Airflow Direction:	Flow R (CCW Rotation)	Fan Termination:	Leads

Fan Monitoring Options: No Fan Monitoring Options Selected

Fan Speed Control Option: No ThermaPro - V Fan Speed Control Options Selected

Environmental Protection Options: No Enviroshield Options Selected

<b>Comair Rotron, Inc.</b> Phone: 858.348.6200 FAX: 858.566.4577 sales@comairrotron.com	<b>ThermaFlo, Inc.</b> Phone: 972.312.8609 FAX: 972.312.8617 info@thermaflo.com	<b>Comair Rotron Europe, Ltd.</b> Phone: +44.1527.520525 FAX: +44.1527.520565 saleseurope@comairrotron.com	<b>Comair Rotron Fan Company Ltd.</b> Phone: +86.21.52260581 FAX: +86.21.52260597 salesasia@comairrotron.com
--	--	---	---

Print Date: Saturday, August 18, 2007 at 23:52:37 - DC Fan Datasheet - Web Version 1.0 Rev. B



<b>Comair Rotron, Inc.</b> Phone: 858.348.6200 FAX: 858.566.4577 sales@comairrotron.com	<b>ThermaFlo, Inc.</b> Phone: 972.312.8609 FAX: 972.312.8617 info@thermaflo.com	<b>Comair Rotron Europe, Ltd.</b> Phone: +44.1527.520525 FAX: +44.1527.520565 saleseurope@comairrotron.com	<b>Comair Rotron Fan Company Ltd.</b> Phone: +86.21.52260581 FAX: +86.21.52260597 salesasia@comairrotron.com
--	--	---	---

Print Date: Saturday, August 18, 2007 at 23:52:37 - DC Fan Datasheet - Web Version 1.0 Rev. B