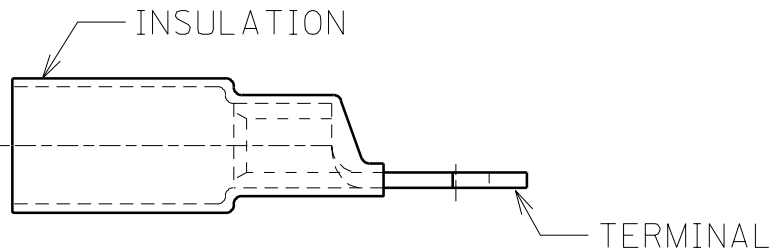
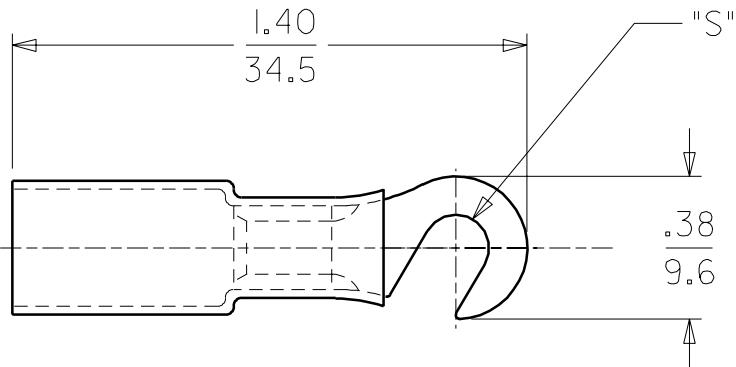


6	5	4	3	2	1
MATERIAL NO	ALTERNATE NO	TERMINAL	"S" REF	DRWG. NO. SD-19164-003	
191640213	SC-211-06	C-111-06	.146		
191640214	SC-211-08	C-111-08	.173		
191640215	SC-211-10	C-111-10	.198		



CUSTOMER DRAWING

TERMINAL
MATERIAL: COPPER
PLATING: TIN

INSULATION
MATERIAL: HEAT SHRINKABLE
NYLON TUBING W/ HOT-MELT
ADHESIVE INNER LINER
COLOR: BLUE

A	RELEASE NEW PROD. ETC1999-0035 4/19 HEB
LTR.	REVISIONS

DIMENSIONS SHOWN (METRIC) INCH	
UNLESS OTHERWISE SPECIFIED TOLERANCES: ANGULAR $\pm 1/2^\circ$	
	INCH METRIC
3 PLACE	$\pm .005$ $\pm ---$
2 PLACE	$\pm .01$ ± 0.13
1 PLACE	$\pm ---$ ± 0.25
DRAFT WHERE APPLICABLE MUST REMAIN WITHIN DIMENSIONS	
DRWG. BY HEB	CHK'D. BY RWD
APP'D. BY RWD	SCALE 2: 1

REVISE ONLY ON CAD SYSTEM			
TITLE HOOK TONGUE TERMINAL PERMA-SEAL 12-10 AWG SC-211-SERIES			
molex ETC INC. PINELLAS PARK, FLA. 33781 U.S.A.		SHEET NO. 1 OF 1	DATE 99/04/21
PART NO. SEE CHART		DRWG. NO. SD-19164-003	
FILE NAME 19164003 SD	THIS DRAWING CONTAINS INFORMATION THAT IS PROPRIETARY TO MOLEX-ETC INC. AND SHOULD NOT BE USED WITHOUT WRITTEN PERMISSION.		DIV. ET SIZE A

6	5	4	3	2	1
---	---	---	---	---	---