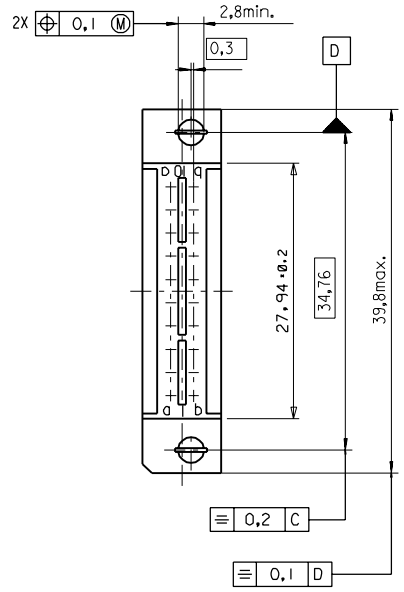
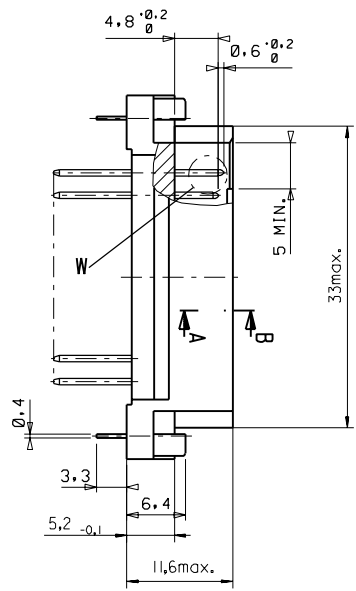
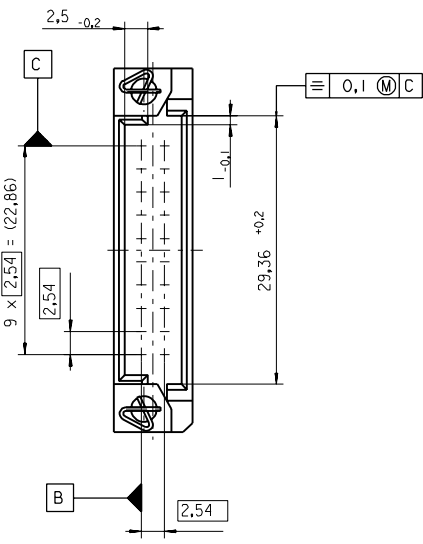
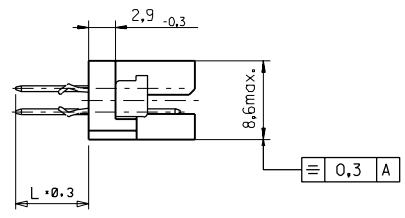
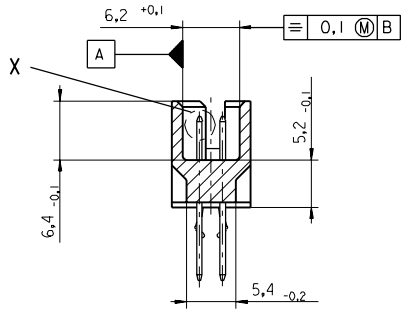
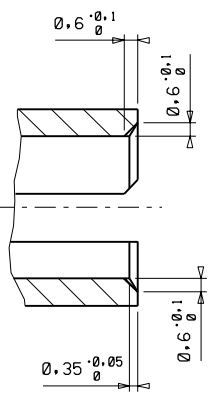
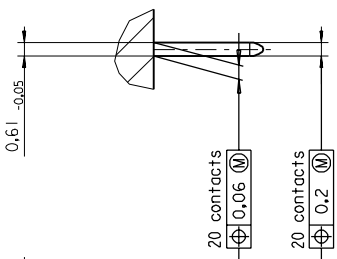


PART NO.  
DWG. NO.

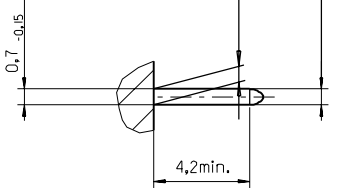
Section A - B  
5:1



View X  
5:1



View W  
5:1



first release see ECN No. 1887	<b>REVISIONS</b> FOR PREVIOUS REVISIONS SEE MRI LIST 3 PLACE ± . ± 2 PLACE ± . ± 1 PLACE ± . ± DRAFT WHERE APPLICABLE MUST REMAIN WITHIN DIMENSIONS DESIGN DIMENSION <input checked="" type="checkbox"/> MM <input type="checkbox"/> IN. EQUIVALENT DIMENSION <input type="checkbox"/> MM <input type="checkbox"/> IN. IF TWO DIMENSIONS ARE SHOWN THE UPPER IS THE DESIGN DIMENSION, LOWER IS SECONDARY	DRWG BY <b>Ca</b>	SIGN	CAD/CAM PROJECT NAME 8501000 611	THIS DRAWING CONTAINS INFORMATION THAT IS PROPRIETARY TO MOLEX INC. & SHOULD NOT BE USED WITHOUT WRITTEN PERMISSION	SH.	REV.
		CHK'D BY <b>KN</b>	SIGN	TITLE <b>20 pos. Male connector acc. DIN 41612 style Q/3 Dimensions</b>		SHEET NO. 1 OF	DATE 95/06/08
<b>A</b>	<b>LTR</b>	APP'D BY	SIGN	MOLEX MOLEX EUROPE		PART NO.	SIZE B
		SCALE <b>2:1</b>		DWG. NO. <b>SDA-85011-0001</b>			