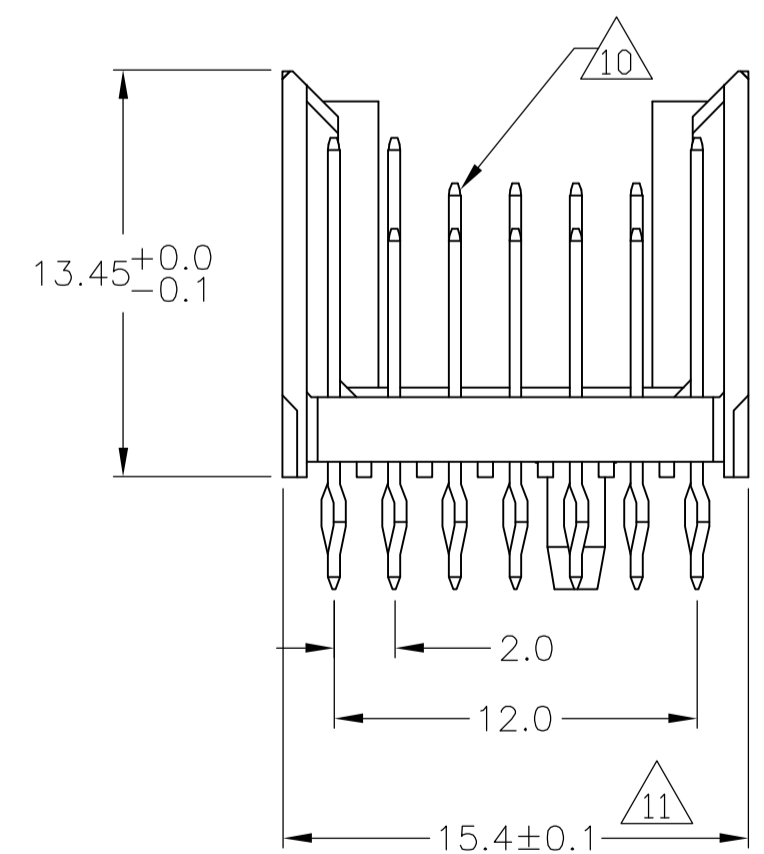
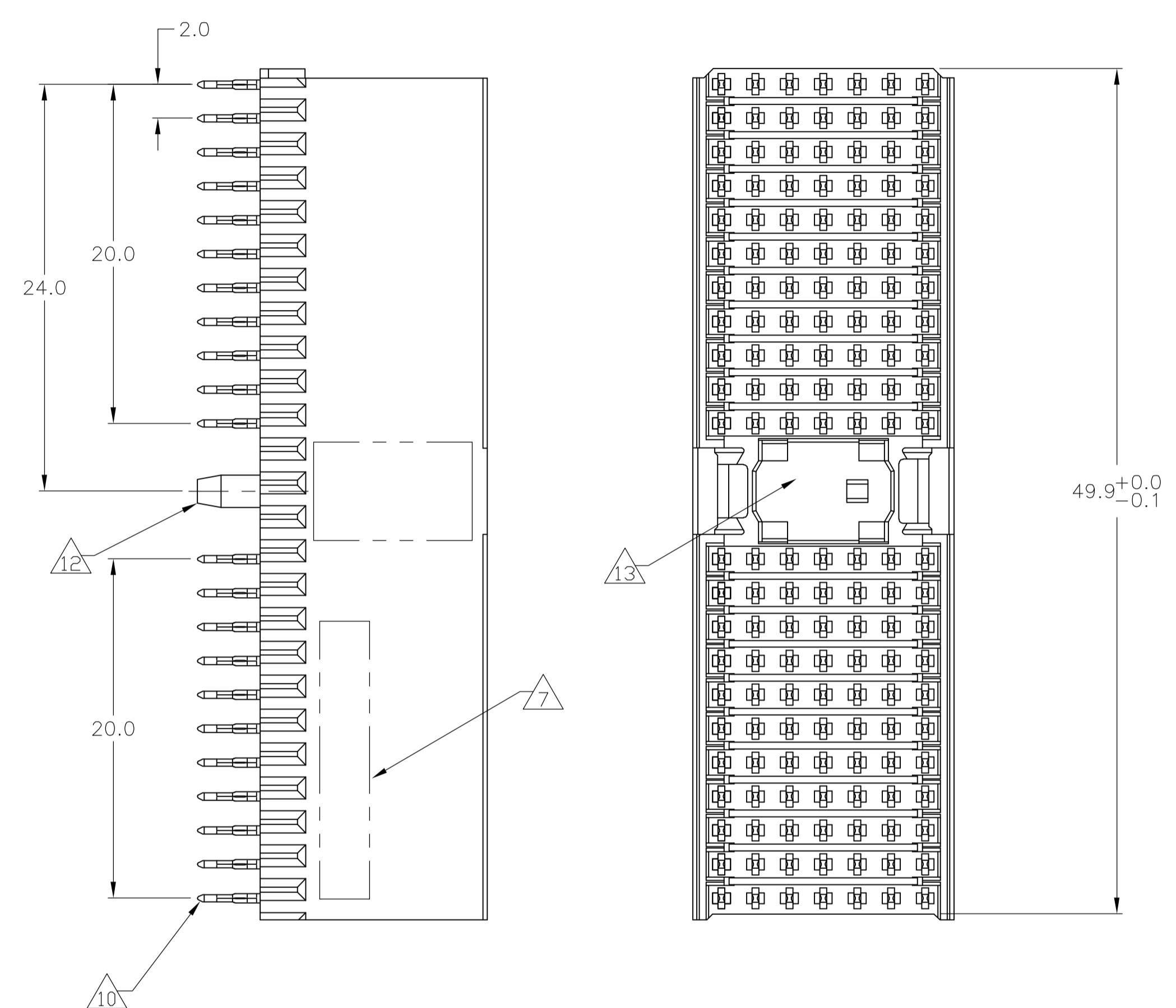
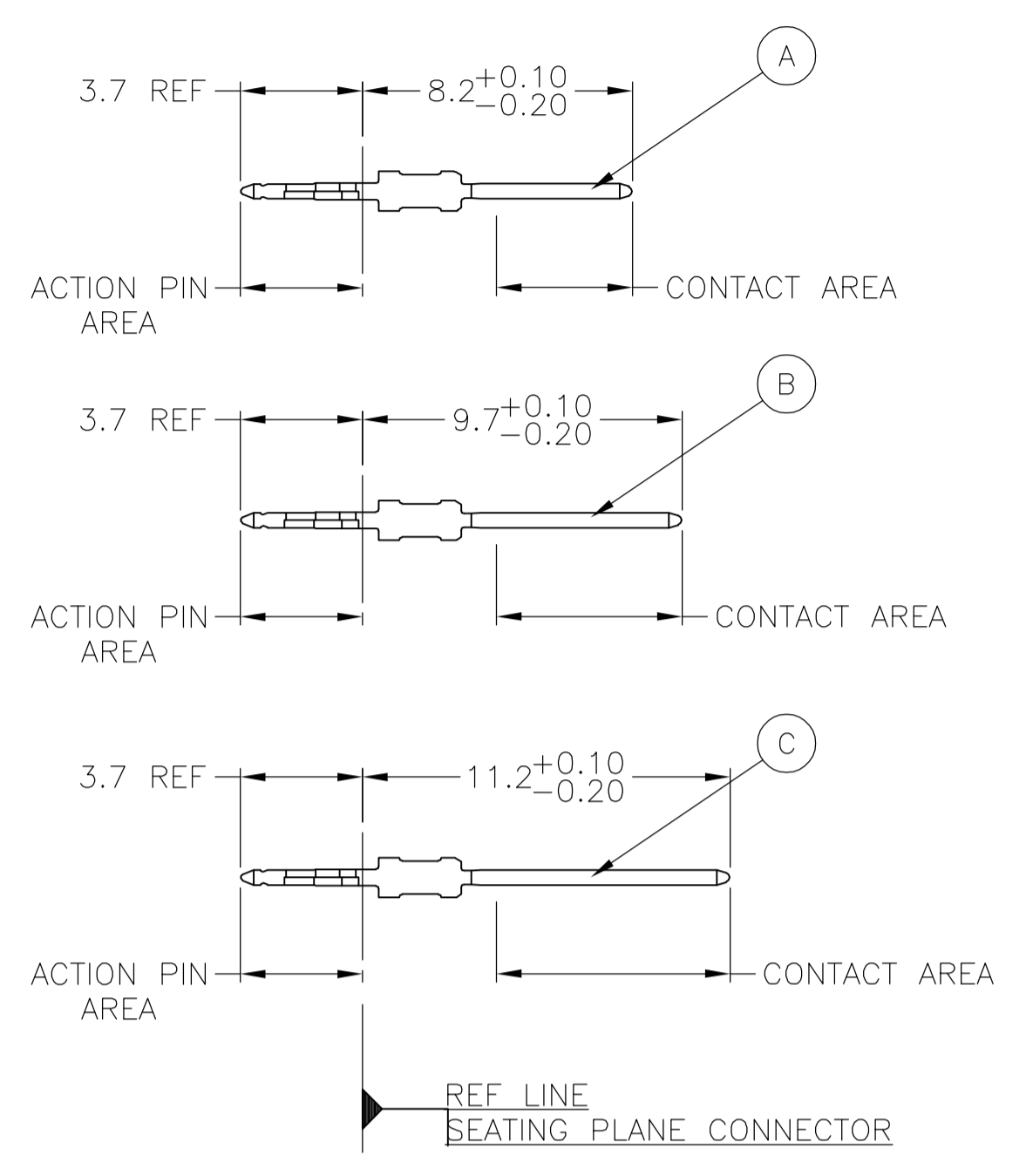


CONNECTOR ASSEMBLY EXAMPLARY LOADED



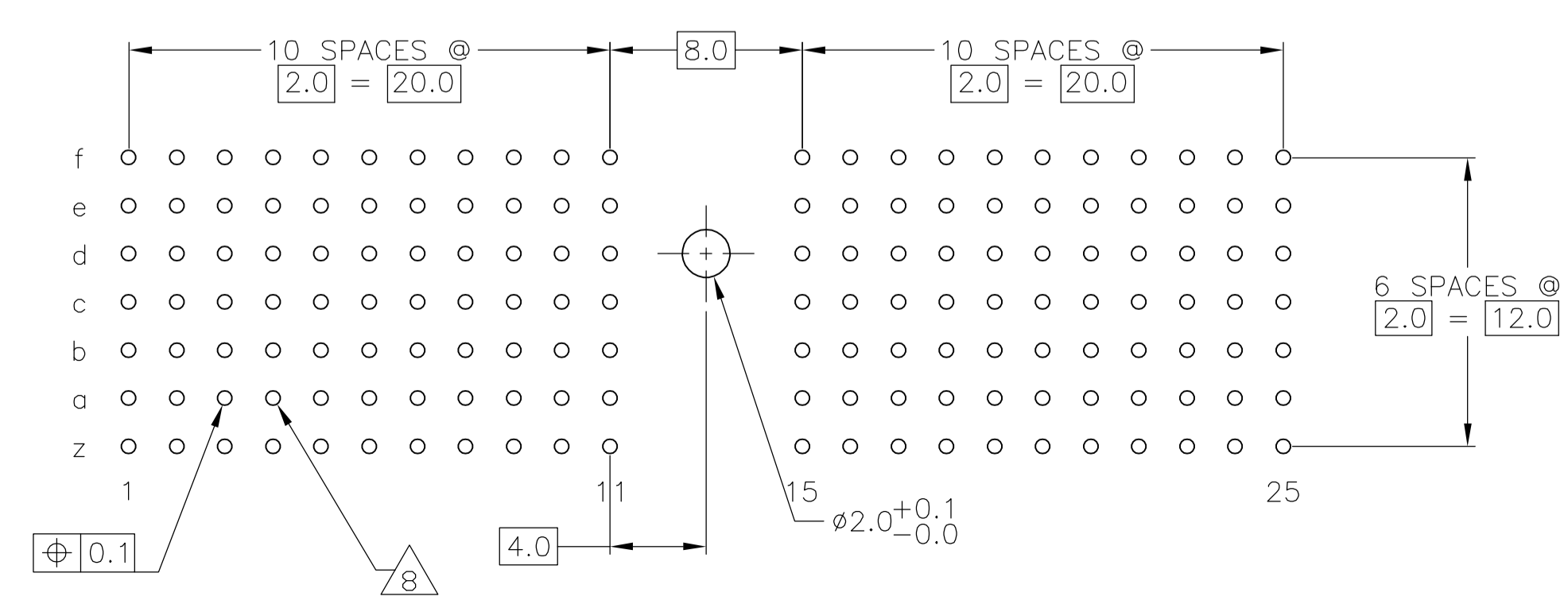
CONTACT DIMENSIONS SCALE 5:1



CONTACT LAYOUT

	z	a	b	c	d	e	f
1	C	A	A	A	A	A	C
2	C	A	A	A	A	A	C
3	C	A	A	A	A	A	C
4	C	A	A	A	A	A	C
5	C	A	A	A	A	A	C
6	C	A	A	A	A	A	C
7	C	A	A	A	A	A	C
8	C	A	A	A	A	A	C
9	C	A	A	A	A	A	C
10	C	C	B	B	B	B	C
11	C	C	B	B	B	B	C
MULTI PURPOSE CENTER							
15	C	C	B	B	B	B	C
16	C	C	B	B	B	B	C
17	C	A	A	A	A	A	C
18	C	A	A	A	A	A	C
19	C	A	A	A	A	A	C
20	C	A	A	A	A	A	C
21	C	A	A	A	A	A	C
22	C	A	A	A	A	A	C
23	C	A	A	A	A	A	C
24	C	A	A	A	A	A	C
25	C	A	A	A	A	A	C

RECOMMENDED PCB-HOLE LAYOUT COMPONENT SIDE SHOWN



PLATED THRU HOLES PARAMETERS REFERENCE APPLICATION SPECIFICATION

2 6 14	1-188734-9
2 5 14	188734-9
2 4	188734-4
2 3	188734-1
FINISH	PART NUMBER

THIS DRAWING IS A CONTROLLED DOCUMENT.

DIMENSIONS: mm	TOLERANCES UNLESS OTHERWISE SPECIFIED:	DIN B CARBO 26AUG05	26AUG05	tyco Electronics	Tyco Electronics Corporation Harrisburg, Pa 17105-3608
0 PL ± -	1 PL ± 0.1	CHK G SKIPPER	26AUG05	NAME	MALE ASSEMBLY, Z-PACK 2mm HM, TYPE A
1 PL ± -	2 PL ± -	APVD G SKIPPER	26AUG05	PRODUCT SPEC	108-19082
3 PL ± -	4 PL ± -	APPLICATION SPEC		SIZE	114-19029
ANGLES ± -		WEIGHT		SCALE	100779 C=188734
		MATERIAL	SEE TABLE	RESTRICTED TO	
		CUSTOMER DRAWING		SCALE	4:1
				SHEET	1 OF 2
				REV	D

- 1 MATERIAL:
CONTACT: PHOSPHOR BRONZE.
HOUSING: GLASS-FILLED POLYESTER.
- 2 GENERAL PLATING SPECIFICATION: UNDERPLATING
(ENTIRE CONTACT): 1.27µm MIN NICKEL AND ACTION
PIN: 0.5µm MIN TIN/LEAD.
FOR PLATING OF MATING SURFACES SEE APPLICABLE
SPECIFICATION REFERENCE FOR EACH DASH NUMBER.
- 3 CONFORMS TO ALL TESTING ACCORDING TO IEC 61076-4-101
PERFORMANCE LEVEL 2.
- 4 CONFORMS TO ALL TESTING ACCORDING TO IEC 61076-4-101
PERFORMANCE LEVEL 1.
- 5 CONNECTOR TESTED AND QUALIFIED AGAINST TELCORDIA GR-1217-CORE QUALITY LEVEL 3,
CENTRAL OFFICE APPLICATIONS.
- 6 CONNECTOR TESTED AND QUALIFIED AGAINST TELCORDIA GR-1217-CORE QUALITY LEVEL 3,
UNCONTROLLED ENVIROMENT APPLICATIONS.
- 7 CONNECTOR MARKED WITH PART NUMBER AND DATE CODE.
ADDITIONAL CHARACTERS OR MARKINGS, AS WELL AS THE LOCATION OF THE MARKINGS,
MAY BE ADDED FOR TRACEABILITY BASED UPON MANUFACTURERS DISCRETION.
- 8 PLATED-THROUGH HOLES AT 2x2mm SQUARE GRID
PATTERN DEFINED BY CONTACT LAYOUT.
- 9 FOR ACTUAL PIN LOADING SEE "CONTACT LAYOUT".
- 10 FOR ACTUAL PIN DIMENSIONS SEE "CONTACT DIMENSIONS".
- 11 TO BE MEASURED AT BOTTOM OF SHROUD.
- 12 POLARIZATION FEATURE.
- 13 AREA RESERVED FOR KEYING PART (BASIC P/N 100525).
- 14 CONNECTOR LUBRICATED WITH BELCORE APPROVED LUBRICANT,
TECHNICAL REFERENCE: TR-NWT-001217 ISSUE 1, SEP 1992.

THIS DRAWING IS A CONTROLLED DOCUMENT.		DWG B CARBO	26AUG05	tyco Electronics	Tyco Electronics Corporation Harrisburg, Pa 17105-3608	
DIMENSIONS: mm		CHK G SKIPPER	26AUG05		NAME	MALE ASSEMBLY, Z-PACK 2mm HM, TYPE A
TOLERANCES UNLESS OTHERWISE SPECIFIED:		APP'D G SKIPPER	26AUG05	PRODUCT SPEC	108-19082	
0 PLC ± -				APPLICATION SPEC	114-19029	
1 PLC ± 0.1				SIZE	A1	
2 PLC ± -				CAGE CODE	00779	
3 PLC ± -				DRAWING NO	188734	
4 PLC ± -				RESTRICTED TO	-	
ANGLES ± ± -				WEIGHT	-	
MATERIAL SEE SHEET 1	FINISH SEE SHEET 1	CUSTOMER DRAWING		SCALE	4:1	
				SHEET	2 OF 2	
				REV	D	