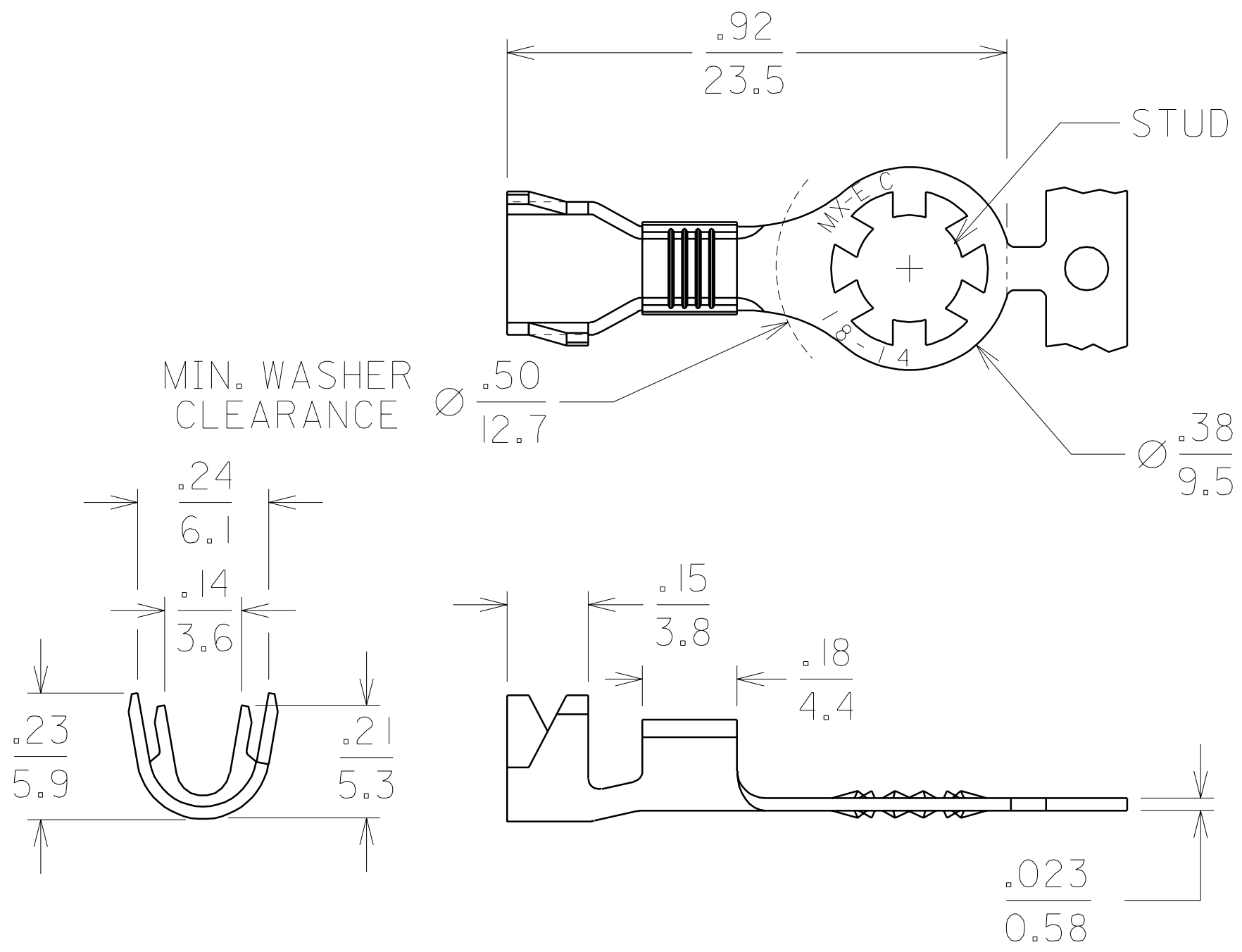


| MATERIAL NUMBER | PART NUMBER | STUD SIZE ±.010/(0.25) | MATERIAL | PLATING |
|-----------------|---------------|---------------------------|----------|---------|
| 190840001 | SRZ-0129-06 | #6 = .146/(3.71) | BRASS | NONE |
| 190840002 | SRZ-0129-08 | #8 = .173/(4.39) | BRASS | NONE |
| 190840003 | SRZ-0129-10 | #10 = .198/(5.03) | BRASS | NONE |
| 190840004 | SRZ-4129-06 | #6 = .146/(3.71) | BRASS | TIN |
| 190840005 | SRZ-4129-08 | #8 = .173/(4.39) | BRASS | TIN |
| 190840006 | SRZ-4129-10 | #10 = .198/(5.03) | BRASS | TIN |
| 190840007 | SRZ-S-4129-06 | #6 = .146/(3.71) | STEEL | TIN |
| 190840008 | SRZ-S-4129-08 | #8 = .173/(4.39) | STEEL | TIN |
| 190840009 | SRZ-S-4129-10 | #10 = .198/(5.03) | STEEL | TIN |

NOTES:
1. WIRE SIZE: 18-14 AWG
0.7-2.6 MM²



CUSTOMER DRAWING

| | |
|------|---|
| A | RELEASE NEW CUSTOMER DRAWING ET19999-0051 05/14 |
| LTR. | REVISIONS |

| DIMENSIONS SHOWN (METRIC) INCH | | REVISE ONLY ON CAD SYSTEM | | | | | | | | | | | | | |
|---|------------------|---|---|--------|---------|--------|-------|---------|-------|--------|---------|-------|--------|----------------------------|--|
| UNLESS OTHERWISE SPECIFIED TOLERANCES: ANGULAR ± 1/2° | | TITLE OPEN BARREL STRIP STAR RING 18-14 AWG WITH VIBRATION SUPPORT | | | | | | | | | | | | | |
| <table border="1"> <thead> <tr> <th></th> <th>INCH</th> <th>METRIC</th> </tr> </thead> <tbody> <tr> <td>3 PLACE</td> <td>± .005</td> <td>± ---</td> </tr> <tr> <td>2 PLACE</td> <td>± .01</td> <td>± 0.13</td> </tr> <tr> <td>1 PLACE</td> <td>± ---</td> <td>± 0.25</td> </tr> </tbody> </table> | | | INCH | METRIC | 3 PLACE | ± .005 | ± --- | 2 PLACE | ± .01 | ± 0.13 | 1 PLACE | ± --- | ± 0.25 | SHEET NO. DATE 05/05/95 | |
| | INCH | METRIC | | | | | | | | | | | | | |
| 3 PLACE | ± .005 | ± --- | | | | | | | | | | | | | |
| 2 PLACE | ± .01 | ± 0.13 | | | | | | | | | | | | | |
| 1 PLACE | ± --- | ± 0.25 | | | | | | | | | | | | | |
| DRAFT WHERE APPLICABLE MUST REMAIN WITHIN DIMENSIONS | | PART NO. DRWG. NO. SEE CHART SD-19084-001 | | | | | | | | | | | | | |
| DRWG. BY JH | CHK'D. BY RWD | FILE NAME 19084001 DGN | THIS DRAWING CONTAINS INFORMATION THAT IS PROPRIETARY TO MOLEX-ETC INC. AND SHOULD NOT BE USED WITHOUT WRITTEN PERMISSION. | | | | | | | | | | | | |
| APP'D. BY RWD | SCALE NO:NE | DIV. B | SIZE B | | | | | | | | | | | | |