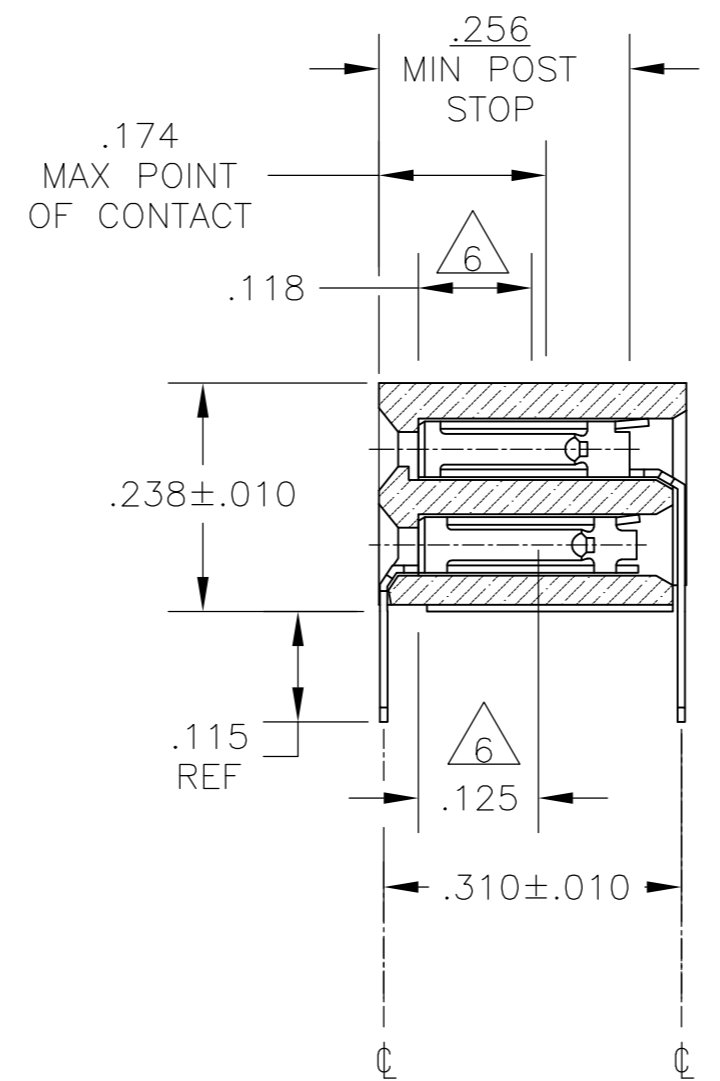
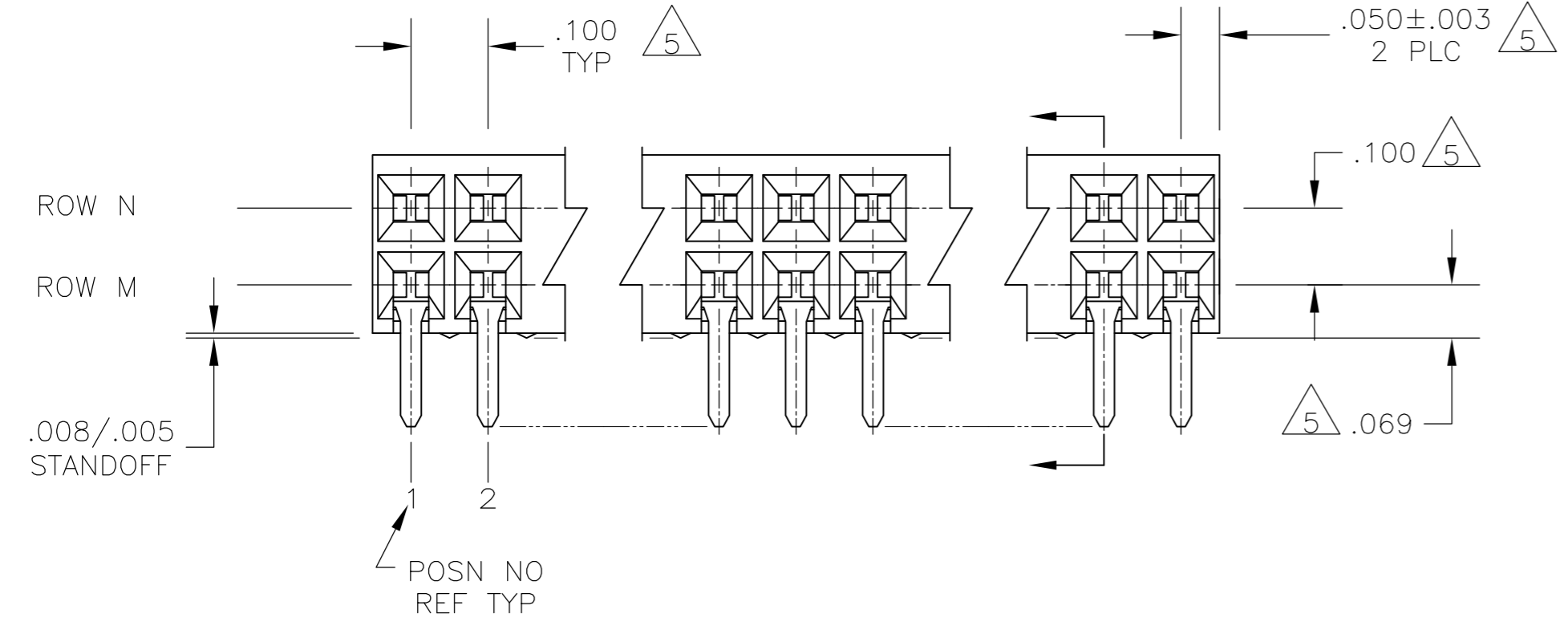
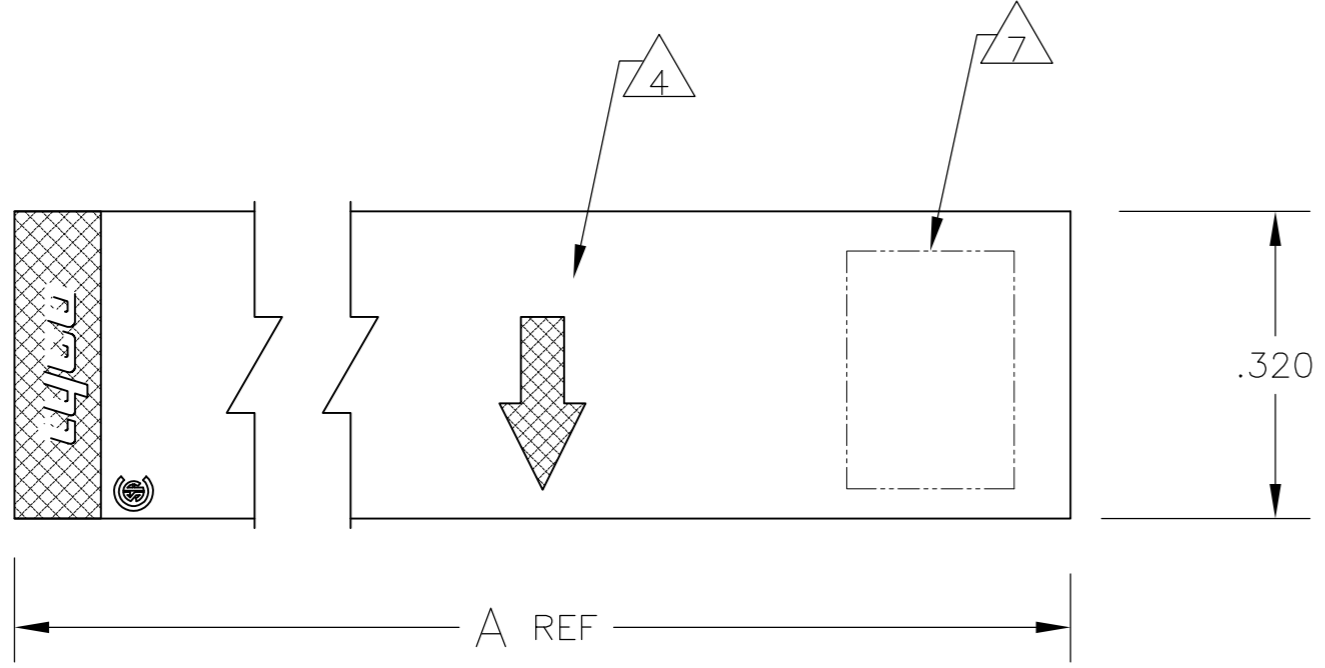
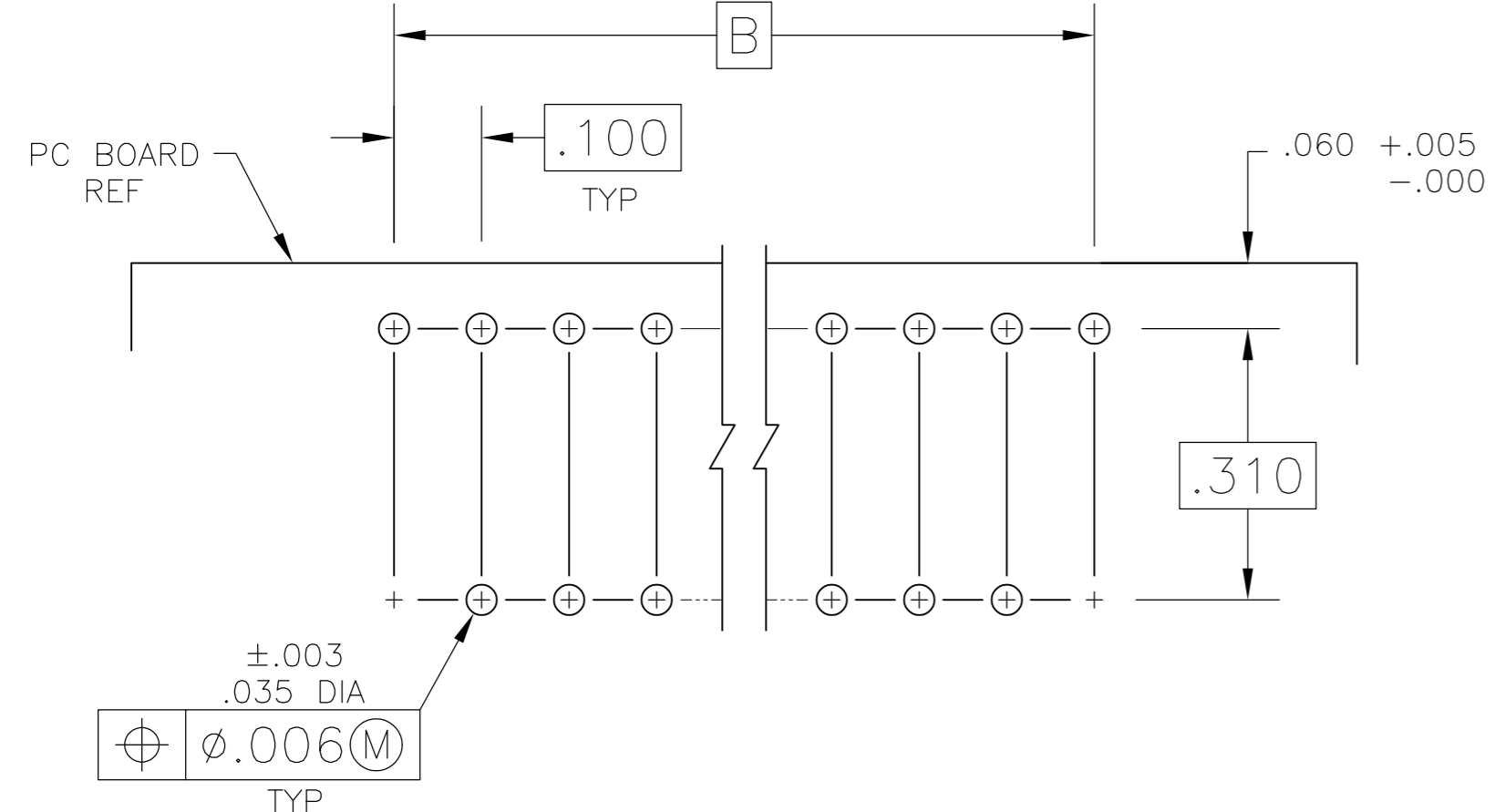


THIS DRAWING IS UNPUBLISHED. RELEASED FOR PUBLICATION
 © COPYRIGHT BY TYCO ELECTRONICS CORPORATION. ALL RIGHTS RESERVED.

LOC	DIST	REVISIONS					
AD	00	P	LTR	DESCRIPTION	DATE	DWN	APVD
		E		EC 0G3C 0861 04	04FEB05	BSV	RB
		E1		REVISED PER ECO-09-020689	26AUG09	KK	AEG



- 1 HOUSING MATERIAL : GLASS FILLED, FLAME RETARDANT POLYESTER, COLOR-BLACK.
- 2 CONTACT MATERIAL : PHOSPHOR BRONZE.
- 3 CONTACT FINISH : DUPLEX PLATED .000030 GOLD ON CONTACT AREA, .000150-.000300 BRIGHT TIN-LEAD ON SOLDER LEADS, ALL OVER .000050 MIN NICKEL.
- 4 MOLDED IN ARROW DESIGNATES THE MATING FACE OF THE CONNECTOR.
- 5 DIMENSIONS PERTAIN TO CAVITY CENTERLINES.
- 6 POINT OF MEASUREMENT FOR PLATING THICKNESS OF CONTACT AREA.
- 7 PART NUMBER AND DATE CODE ARE MARKED IN APPROXIMATE LOCATION SHOWN.
- 8 CONTACT FINISH : DUPLEX PLATED .000030 GOLD ON CONTACT AREA, .000150-.000300 MATTE TIN ON SOLDER LEADS, ALL OVER .000050 MIN NICKEL.
- 9 ROHS 2002 /95/EC COMPLIANT.
- 10 OBSOLETE PARTS: OBSOLETE CIS STREAMLINING PER D.RENAUD/D.SINISI



RECOMMENDED PC BOARD LAYOUT

10	OBSOLETE	8	NONE	15	1.400	1.500	29/30	9	5-146327-2
10	OBSOLETE	8	NONE	1	1.400	1.500	29/30	9	5-146327-1
		3	NONE	15	1.400	1.500	29/30		146327-2
10	OBSOLETE	3	NONE	1	1.400	1.500	29/30		146327-1
FINISH		ROW M		ROW N	B		A	NO. OF POSITIONS	
		POSITIONS OMITTED						ASSEMBLY PART NUMBER	

THIS DRAWING IS A CONTROLLED DOCUMENT.

DWN	T. HOFFMAN	7/12/95
CHK	H. PALEY	7/24/95
APVD	H. PALEY	7/24/95
PRODUCT SPEC	-	
APPLICATION SPEC	-	
WEIGHT	-	

Tyco Electronics Tyco Electronics Corporation
Harrisburg, Pa 17105-3608

NAME: AMPMODU MOD II RECEPTACLE ASSEMBLY, HORIZONTAL, .100 CL, 2 ROW, CLOSED-ENTRY, SHORT POINT-OF-CONTACT.

SIZE	CAGE CODE	DRAWING NO	RESTRICTED TO
A2	00779	C=146327	-

CUSTOMER DRAWING SCALE 5:1 SHEET 1 OF 1 REV E1