

Sealed Industrial Ethernet Circular IP67 RJ45 Connector System

Description

The sealed circular RJ45 connector system is designed for use in harsh environments. The connector features bayonet coupling mechanism conforming to IEC 61076-3-106 standard. It provides fast but reliable connections in harsh environment. The Connector can be front or rear mounted into a panel with a thickness of up to 3.2mm. The integrated shielded RJ45 Jack and Plug meet EIA/TIA-568B.2 cat. 5e specifications. The connector system provides IP67 sealing performance when the connector halves are fully mated or covered. The potted version provides IP67 even under the unmated and uncovered conditions.

Two different versions (Industrial to Industrial and Industrial to Standard) of the RJ45 cat. 5e Ethernet patch cords with various lengths for tough and outdoor applications are also offered. The connectors are available in plastic and metallized plastic versions. The products are **RoHS** compliant.

Applications

- Industrial Machinery, CNC Machines
- Communication Equipment
- Food and Chemical Process Equipment
- Railway Network System
- Oil Exploration
- Industrial Process Control
- Diagnostic Equipment
- Printers, Display
- Factory Automation, Robotics
- Outdoor Telecom System
- Entertainment
- Video Control, Motion Control

Electrical Specifications

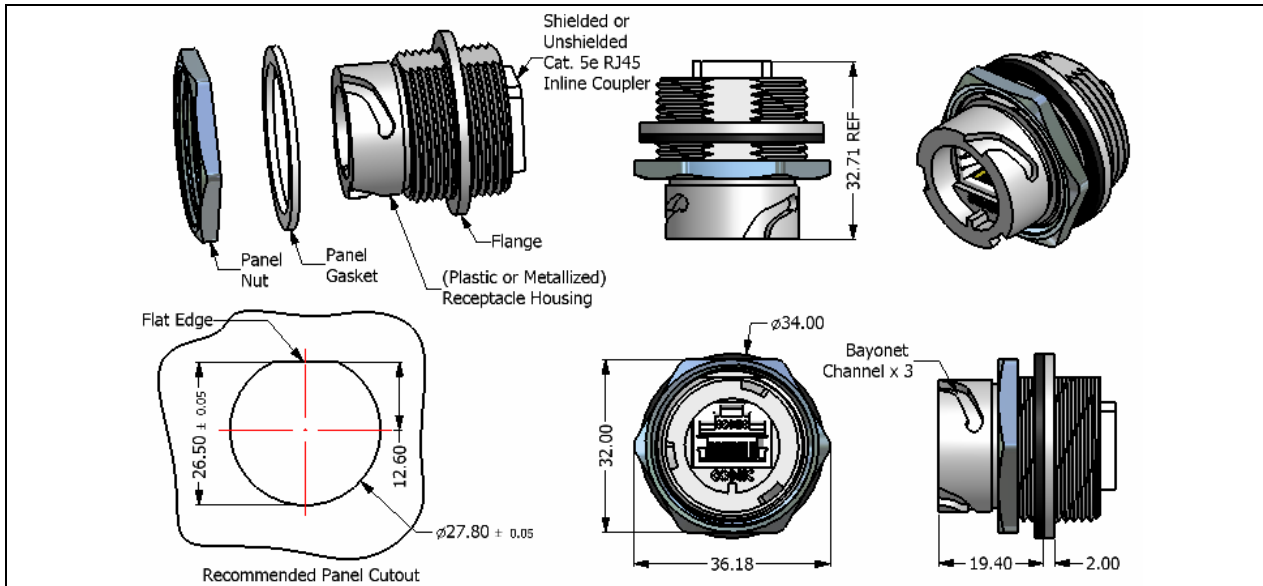
- Meets EIA/TIA-568-B.2 Cat. 5e Specification
- IR: 500MΩ min. @ 100 VDC
- DWV: 1000 V DC/60s Contact to Contact
- DWV: 1500 V DC/60s Contact to Metal Shell
- Contact Resistance: 20mΩ max.
- Current Rating: 1.2A max. at 25°C
- Working Voltage: 100 V
- Operating Temperature: -40°C to +85°C

Materials and Finish

- Receptacle Housing: PBT (Black) or metallized ABS (Nickel plated); UL94 V-0
- Panel Nut: Brass, Finish: Nickel Plated
- Panel Gasket: Silicone, Color: White
- RJ45 Jack Metal Shell: Copper Alloy, Finish: Nickel Plated
- RJ45 Jack Housing: PBT (Black), UL94 V-0
- RJ45 Jack Contact: Phosphor Bronze, Finish: 50u" Gold min. over Nickel
- Plug Coupling Ring: PBT (Black) or metallized ABS, UL94 V-0 or Zinc Die-Cast (Nickel plated)
- Plug Housing: PBT (Black) or metallized ABS (Nickel plated); UL94 V-0,
- Cable Gland Body: PA (Black) UL94 V-0 or Brass, Nickel Plated
- Cable Gland Seal: NBR, Color: Black
- Cable Gland Insert (Metal Version): Nylon, Color: White
- Interfacial Seal: Silicone, Color: White
- Cover Gasket: Silicone, Color: Red
- RJ45 Plug Metal Shell: Copper Alloy, Finish: Nickel Plated
- RJ45 Plug Housing: Clear Polycarbonate, UL94 V-0
- RJ45 Plug Contact: Phosphor Bronze, Finish: 50u" Gold min. over Nickel
- Protective Cover: PBT (Black) or metallized ABS (Nickel Plated); UL94 V-0
- Tether: PE, Color: Black
- Patch Cord Cable: UTP or STP Cat. 5e, AWG24 Solid; Color: Black
- RJ45 Modular Boot: PVC, Color: Black

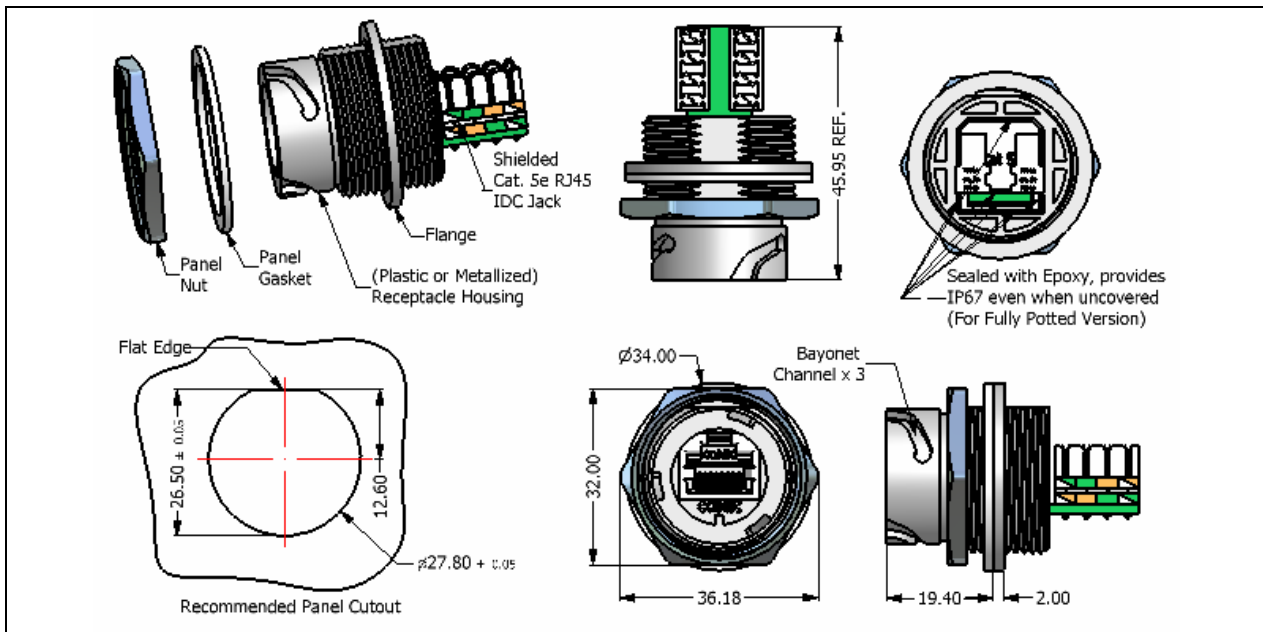
Product Overview and Dimensions (in mm)

1: Cat. 5e RJ45 Inline Coupler Receptacle Assembly Kit (P/N: see below)



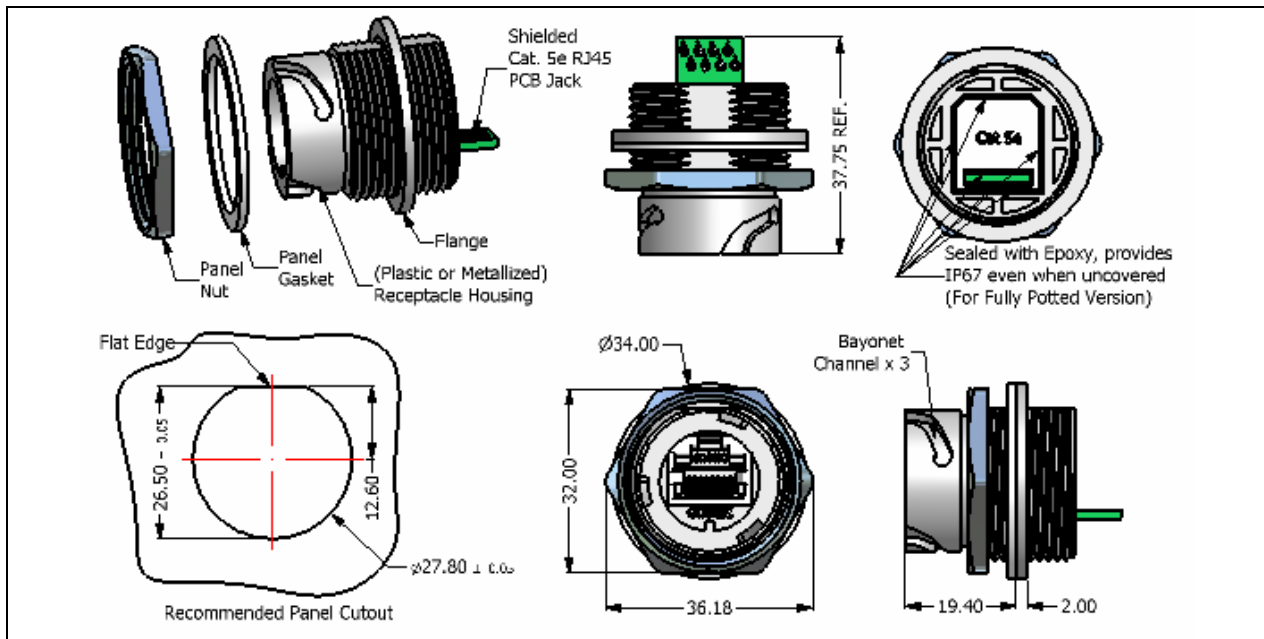
Plastic Version with Shielded Cat. 5e RJ45 Inline Coupler	P/N: 17-10009
Plastic Version with Unshielded Cat. 5e RJ45 Inline Coupler	P/N: 17-10019
Metallized Plastic Version with Shielded Cat. 5e RJ45 Inline Coupler	P/N: 17-10012

2: Cat. 5e RJ45 IDC Jack Receptacle Assembly Kit (P/N: see below)



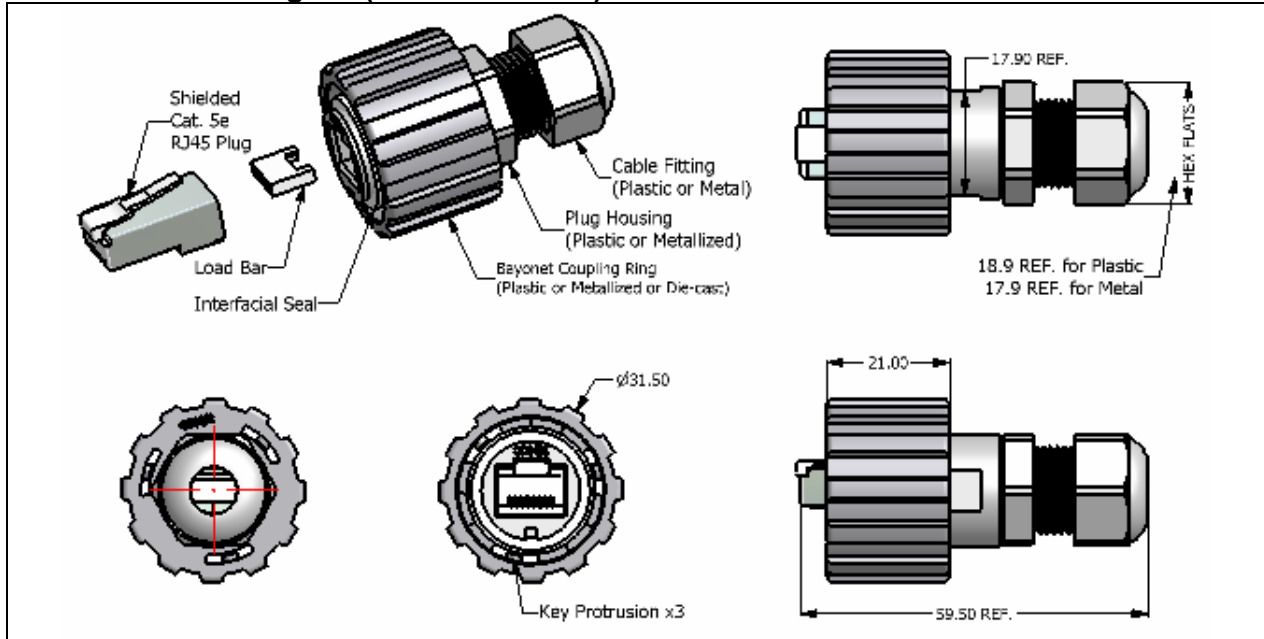
Plastic Version with Shielded Cat. 5e RJ45 IDC Jack	P/N: 17-10015
Metallized Plastic Version with Shielded Cat. 5e RJ45 IDC Jack	P/N: 17-10016
Potted Plastic Version with Shielded Cat. 5e RJ45 IDC Jack	P/N: 17-10033
Potted Metallized Plastic Version with Shielded Cat. 5e RJ45 IDC Jack	P/N: 17-10034

3: Cat. 5e RJ45 PCB Jack Receptacle Assembly Kit (P/N: see below)



Plastic Version with Shielded Cat. 5e RJ45 PCB Jack	P/N: 17-10017
Metallized Plastic Version with Shielded Cat. 5e RJ45 PCB Jack	P/N: 17-10018
Potted Plastic Version with Shielded Cat. 5e RJ45 PCB Jack	P/N: 17-10035
Potted Metallized Plastic Version with Shielded Cat. 5e RJ45 PCB Jack	P/N: 17-10036

4: Cat. 5e RJ45 Plug Kit (P/N: see below)



Plastic Version	P/N: 17-10001
Metallized Plastic Version	P/N: 17-10013
Zinc Die-Cast Version	P/N: 17-10044

5: Protective Cover Assembly (P/N: see below)

Plastic Version	P/N: 17-10002
Metallized Plastic Version	P/N: 17-10014

6. The Receptacle + Protective Cover Assembly Kit (P/N: see below)

Plastic Version with Shielded Inline Coupler + Protective Cover	P/N: 17-10000
Plastic Version with Unshielded Inline Coupler + Protective Cover	P/N: 17-10020
Metallized Plastic Version with Shielded Inline Coupler + Protective Cover	P/N: 17-10011
Plastic Version with Shielded IDC Jack + Protective Cover	P/N: 17-10021
Metallized Plastic Version with Shielded IDC Jack + Protective Cover	P/N: 17-10022
Plastic Version with Shielded PCB Jack + Protective Cover	P/N: 17-10023
Metallized Plastic Version with Shielded PCB Jack + Protective Cover	P/N: 17-10024
Potted Plastic Version with Shielded IDC Jack + Protective Cover	P/N: 17-10037
Potted Metallized Plastic Version with Shielded IDC Jack + Protective Cover	P/N: 17-10038
Potted Plastic Version with Shielded PCB Jack + Protective Cover	P/N: 17-10039
Potted Metallized Plastic Version with Shielded PCB Jack + Protective Cover	P/N: 17-10040

7: Cat. 5e RJ45 Cable Strain Relief Kit (P/N: see below)

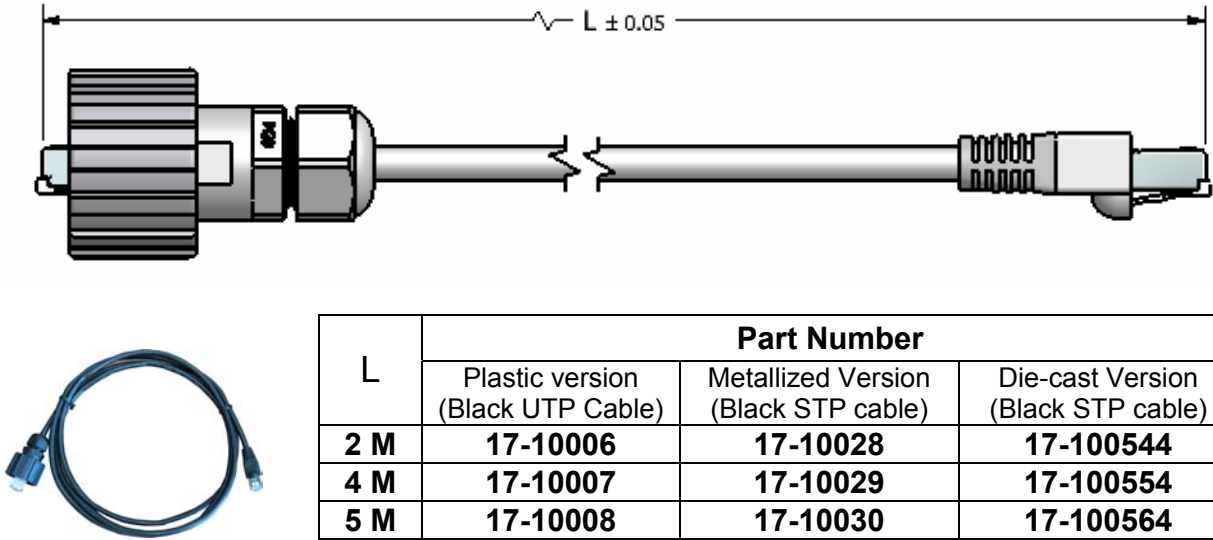
Plastic Version	P/N: 17-100464
Metallized Plastic Version	P/N: 17-100474

8. The Industrial to Industrial RJ45 Cat. 5e Ethernet Patch Cord (P/N: see below)

L	Part Number		
	Plastic version (Black UTP cable)	Metallized Version (Black STP cable)	Die-cast Version (Black STP cable)
2 M	17-10003	17-10025	17-100514
4 M	17-10004	17-10026	17-100524
5 M	17-10005	17-10027	17-100534

UTP: Unshielded Twisted Pair; STP: Shielded Twisted Pair

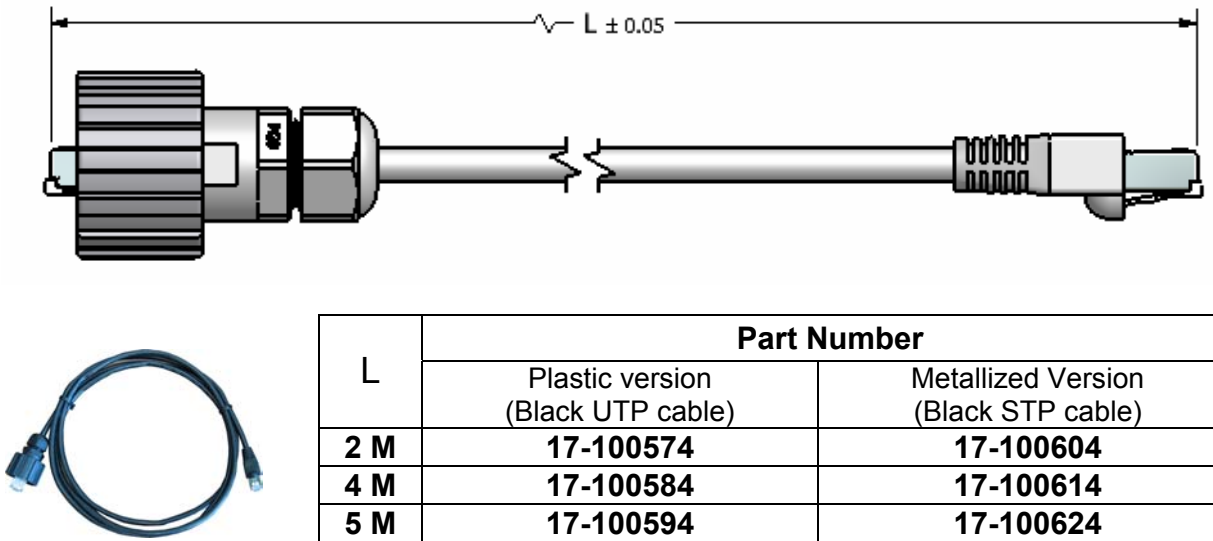
9. The Industrial to Standard RJ45 Cat. 5e Ethernet Patch Cord (P/N: see below)



L	Part Number		
	Plastic version (Black UTP Cable)	Metallized Version (Black STP cable)	Die-cast Version (Black STP cable)
2 M	17-10006	17-10028	17-100544
4 M	17-10007	17-10029	17-100554
5 M	17-10008	17-10030	17-100564

UTP: Unshielded Twisted Pair; STP: Shielded Twisted Pair

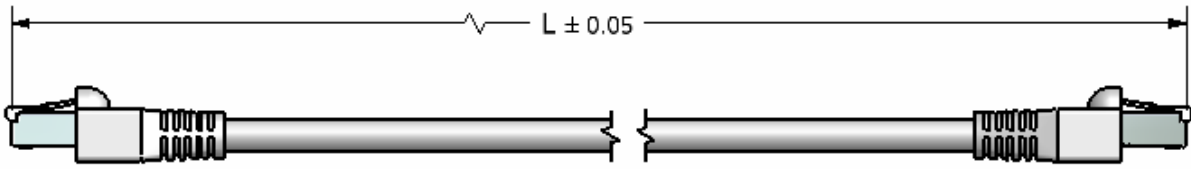
10. The Strain Relief to Standard RJ45 Cat. 5e Ethernet Patch Cord (P/N: see below)



L	Part Number	
	Plastic version (Black UTP cable)	Metallized Version (Black STP cable)
2 M	17-100574	17-100604
4 M	17-100584	17-100614
5 M	17-100594	17-100624

UTP: Unshielded Twisted Pair; STP: Shielded Twisted Pair

11. The Standard to Standard RJ45 Cat. 5e Ethernet Patch Cord (P/N: see below)

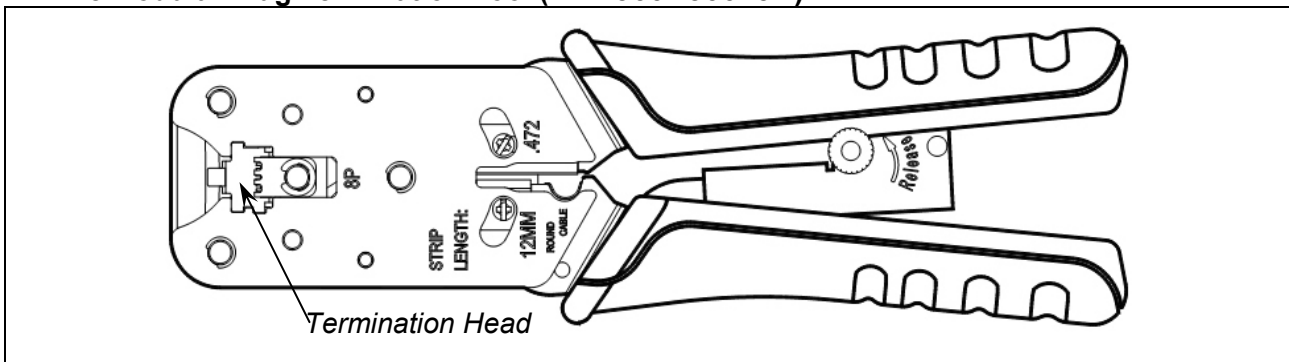


L	Part Number		
	Black UTP cable	Blue UTP cable	Red UTP cable
2 M	17-100654	17-100684	17-100714
4 M	17-100664	17-100694	17-100724
5 M	17-100674	17-100704	17-100734

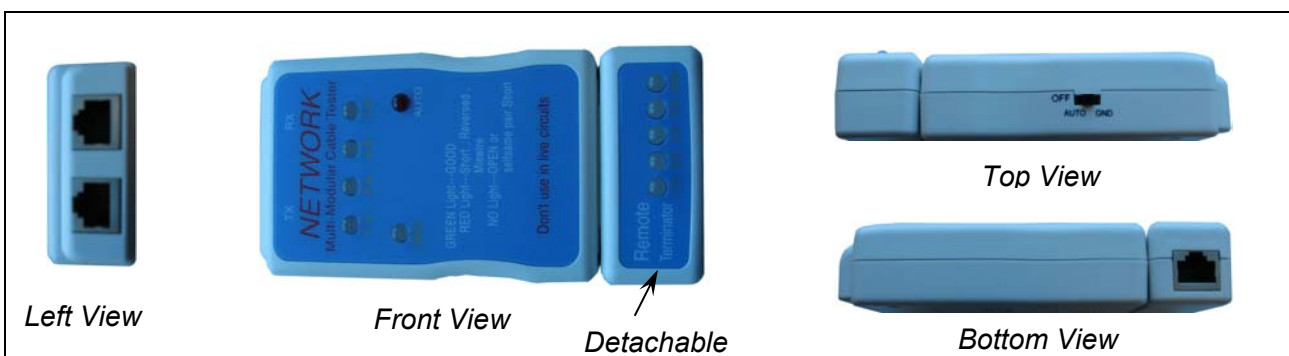
L	Part Number		
	Green UTP cable	Yellow UTP cable	White UTP cable
2 M	17-100744	17-100774	17-100804
4 M	17-100754	17-100784	17-100814
5 M	17-100764	17-100794	17-100824

UTP: Unshielded Twisted Pair

12. The Modular Plug Termination Tool (P/N: 360X30029X)



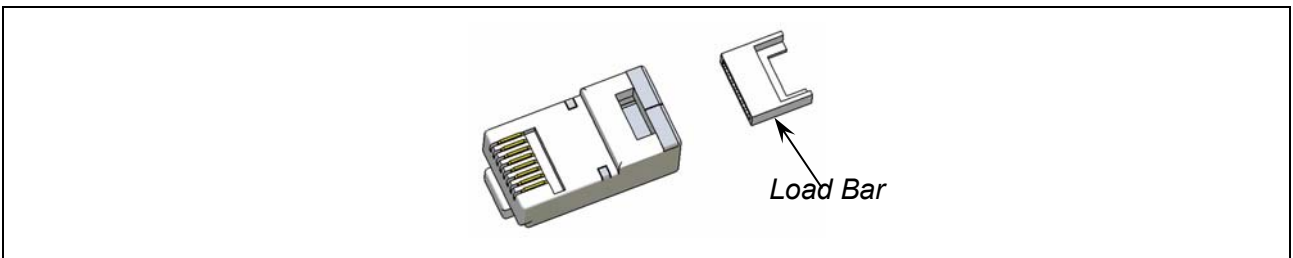
13. The Network Multi-Modular Cable Tester (P/N: 360X30039X)



14. The110 Type Punch-Down Tool (P/N: 360X30049X)



15. The Shielded Cat. 5e RJ45 Plug (P/N: 391J00039X)



16. The RJ45 Modular Boot (P/N: see below)

Color	Black	Blue	Green
Part Number	795-601302	795-601303	795-601304
Color	Yellow	Red	White
Part Number	795-601305	795-601306	795-601307