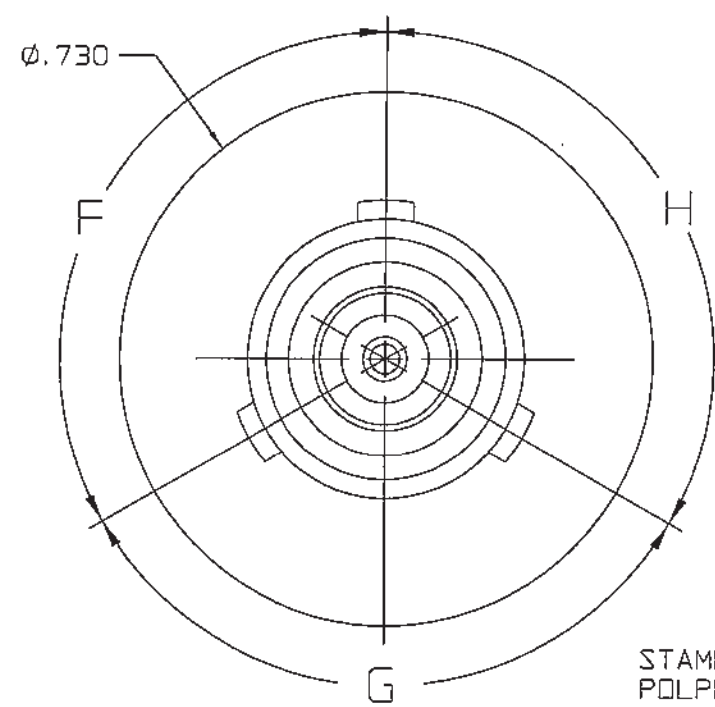


POLARIZATION CHART			
KEYING LETTER	F DEGREES	G DEGREES	H DEGREES
T	100°	150°	110°
U	120°	130°	110°
V	115°	130°	115°
W	125°	110°	125°
X	130°	100°	130°
Y	110°	140°	110°
Z	100°	160°	100°
S	135°	135°	90°
NONE	120°	120°	120°

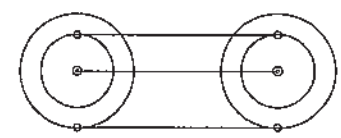
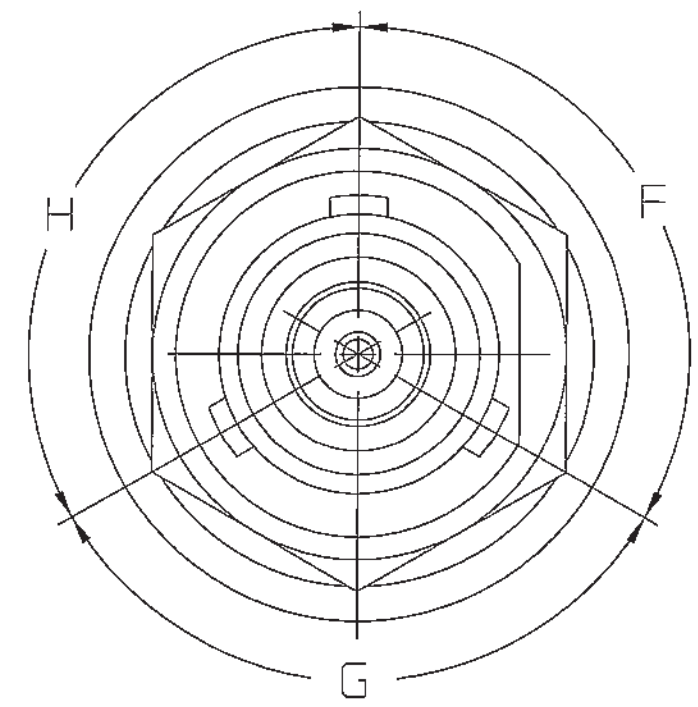
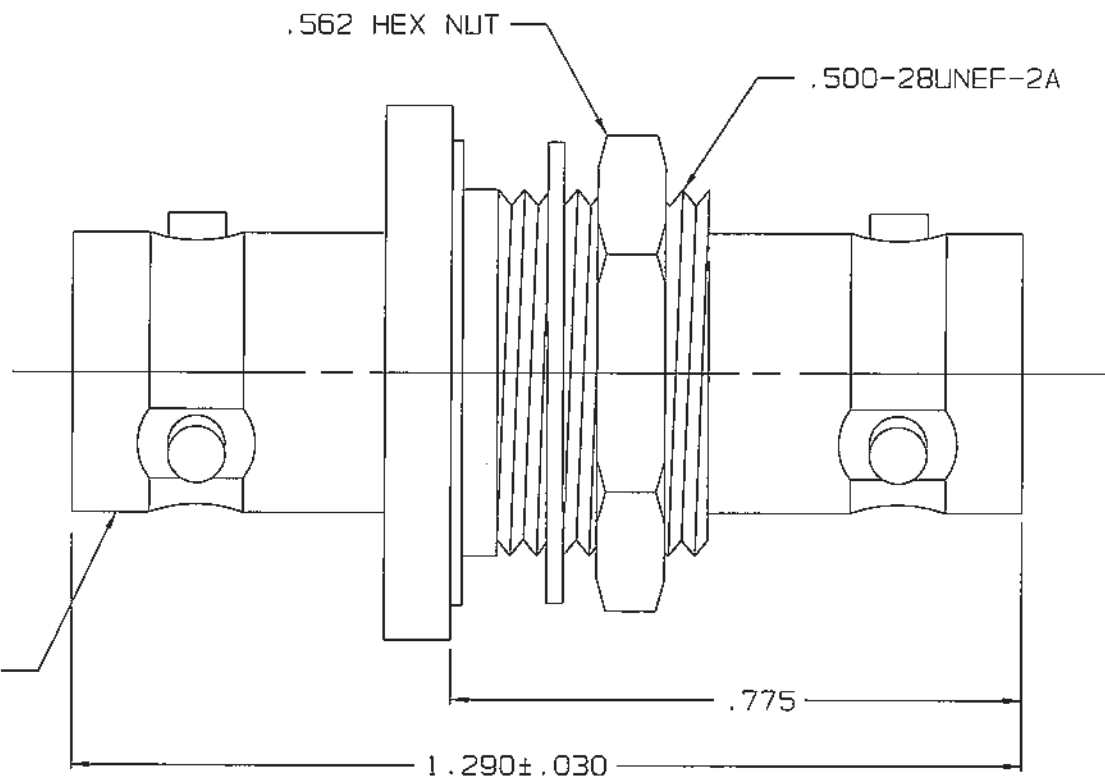
DATA CONTAINED IN THIS DOCUMENT IS PROPRIETARY TO TROMPETER ELECTRONICS INC. AND SHALL NOT BE DISCLOSED, COPIED OR USED FOR PROCUREMENT OR MANUFACTURE WITHOUT EXPRESS WRITTEN PERMISSION OF TROMPETER ELECTRONICS INC.

REVISIONS		3-0002	SH 1
REV	DESCRIPTION	DATE	APPROVED
P	REVISED PER ECO 15112	7/10/03	WJ

RED INDICATES ORIGINAL

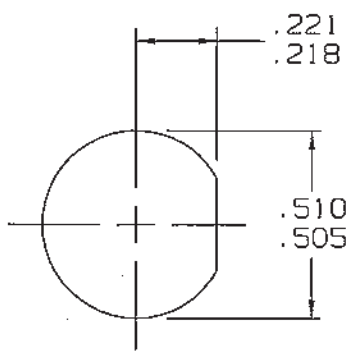


STAMPED POLPRIZATION KEY BOTH ENDS



SCHEMATIC

5. EXAMPLE OF COMPLETE MODEL NO:
 BASIC MODEL NO BJ78 Y KEY LTR (POLARIZATION)
4. CONCENTRIC TWINAX/TRIAX TRB BULKHEAD MOUNT FEEDTHRU RECEPTACLE
3. MAX PANEL THK .187
2. FINISH: TFS-1A (NICKEL)
1. ALL DIM ARE IN INCHES



RECOMMENDED
PANEL CUTOUT
SCALE: 2/1

INTERPRET DRAWING PER MIL-STD-100 DIMENSIONS ARE IN INCHES UNLESS FINISH INDICATED UNLESS OTHERWISE SPECIFIED		TOL: UNLESS SPECIFIED .XX .XXX ± .005 .XXXX		 a cinch connectivity solutions brand	
DRAWN AAH	DATE 7-7-03	MATERIAL:	TITLE: BJ78		
CHECKED JAM	DATE 7-8-03	FINISH:	SIZE B	CAGE CODE 14949	DRAWING NO. 3-0002
QUALITY WJ	DATE 7/10/03	DO NOT SCALE DIMS	SCALE 4/1	DATE 1-31-01	SHEET 1C
MARKED WJ	DATE 7/10/03				
APPROVED WJ	DATE 7-10-03				
CAD FILE NO 3-0002P					