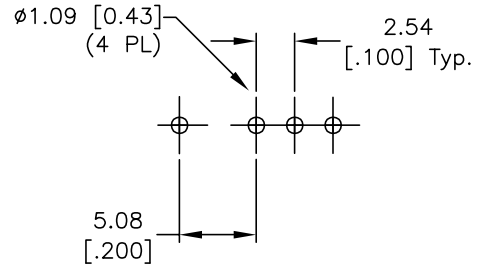


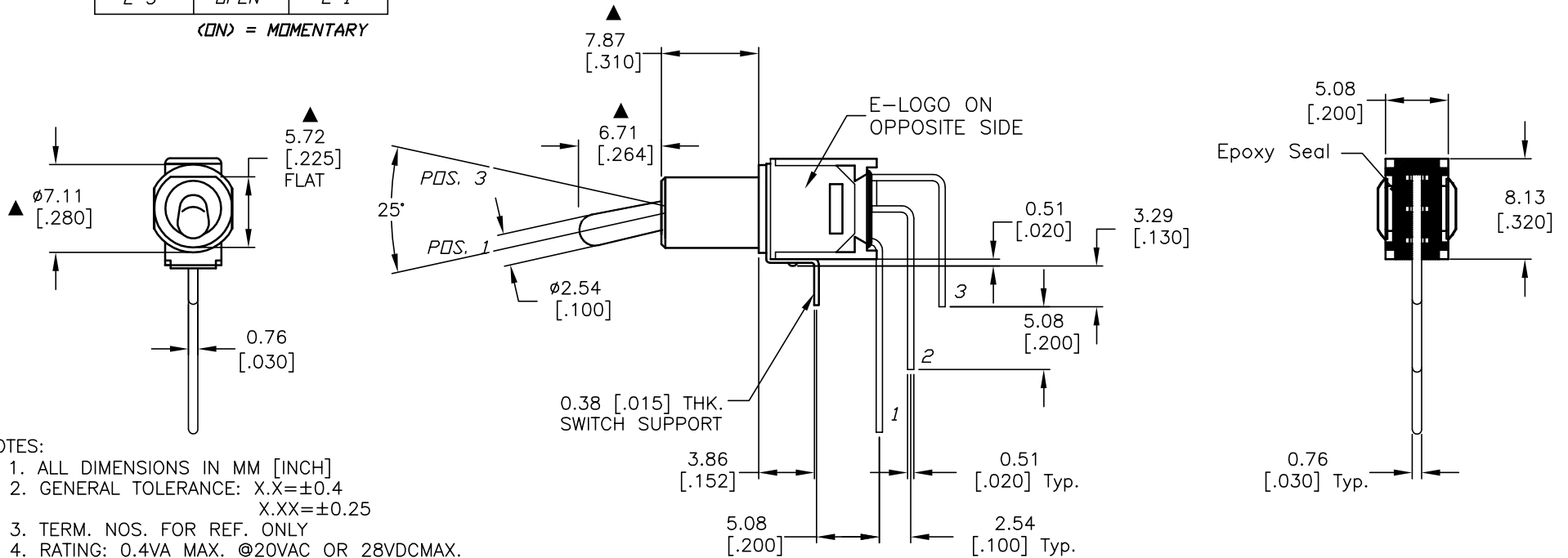
CIRCUIT: SPDT
CONTACT CONFIGURATION

| SWITCH FUNCTION | | |
|-----------------|--------|--------|
| PDS. 1 | PDS. 2 | PDS. 3 |
| ON | NONE | ON |
| 2-3 | OPEN | 2-1 |

ON = MOMENTARY



RECOMMENDED P.C.B. LAYOUT



NOTES:

- ALL DIMENSIONS IN MM [INCH]
- GENERAL TOLERANCE: X.X=±0.4
X.XX=±0.25
- TERM. NOS. FOR REF. ONLY
- RATING: 0.4VA MAX. @20VAC OR 28VDCMAX.
- FIXED TERMINAL & MOVING CONTACT: COPPER ALLOY
W/GOLD PLATE OVER NICKEL PLATE.
- ELECTRICAL LIFE: 30,000 MAKE-AND-BREAK CYCLE
AT FULL LOAD.
- DIELECTRIC STRENGTH: 1,000 V RMS @SEA LEVEL.
- OPERATING TEMP.: -30°C to 85°C
- ▲ DENOTES CRITICAL PARAMETER.

E-SWITCH®

| | | | | | | | | | |
|-------|--------|----|---------|-----|-----------------|--|--|--|--|
| TITLE | | | | | 200MSP2T1B6M7RE | | | | |
| SCALE | DATE | DR | DWG | REV | | | | | |
| 2:1 | 7/2/04 | AR | T212054 | A | | | | | |

THE INFORMATION CONTAINED IN THIS DOCUMENT IS PROPRIETARY TO E-SWITCH AND IS NOT TO BE COPIED OR TRANSFERRED

| | | | | |
|------|---------|-------------------------|--------|------|
| A | 14137 | RELEASED FOR PRODUCTION | 7/2/04 | AR |
| REV. | ECN No. | DESCRIPTION | DATE | CHKD |