

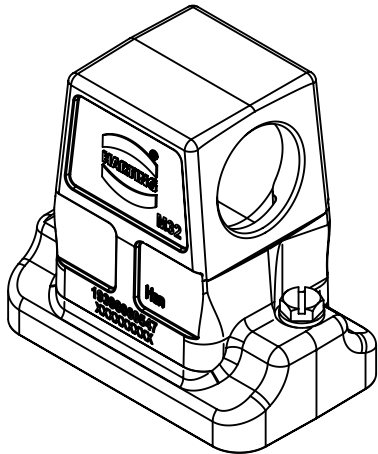
1 2 3 4 5 6

A

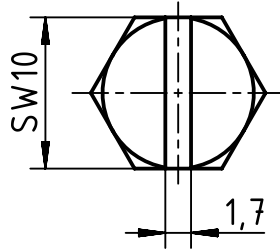
B

C

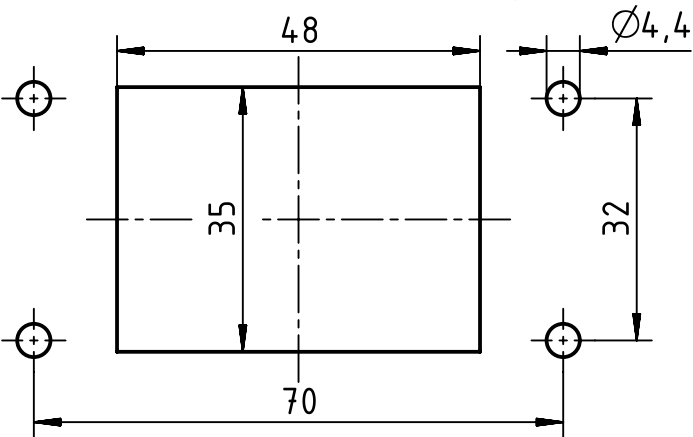
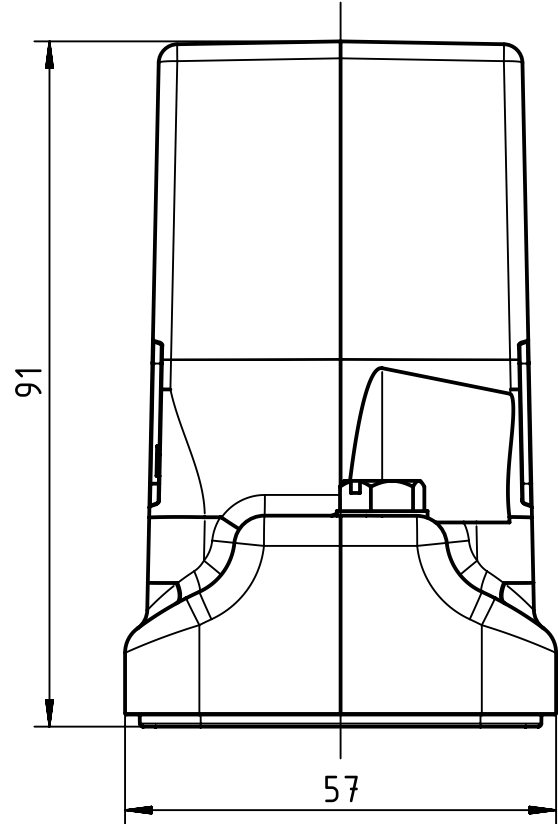
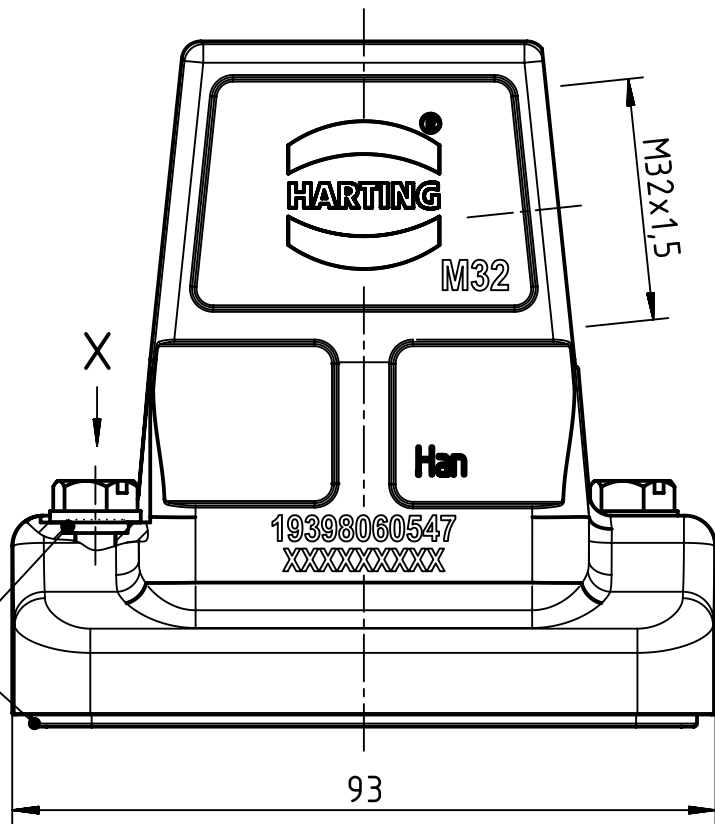
D



X (2:1)



Panel cut out



	All Dimensions in mm Original Size DIN A4		Scale 1:1	Free size tol.		Ref.	
	All rights reserved Department EL PD - CN		Created by LONGL	Inspected by WENE	Standardisation SCHMIDTM	Sub.	
HARTING (Zhuhai) Manufacturing Co., Ltd. 519085 Zhuhai, China		Title Han 6HP Direct/EMV-HSE-M32			Date 2017-03-20	State Final Release	
Type TB					Number 19 39 806 0547		Doc-Key / ECM-Nr. 100665282/UGD/004/C 500000116964
Rev. C						Page 1/1	