

DESCRIPTION: COAXIAL - SOLDER CUP - MALE

**SPECIFICATIONS:**

**ELECTRICAL:**

INSULATOR RESISTANCE: 5,000 MegOHMS Min.  
 DIELECTRIC WITHSTANDING: 1,000VAC r.m.s.  
 OPERATING TEMPERATURE: -55° C ~ +125° C  
 CONTACT RESISTANCE: 30 MilliOHMS Max.  
 COAXIAL PINS: 50 OHM

**MECHANICAL:**

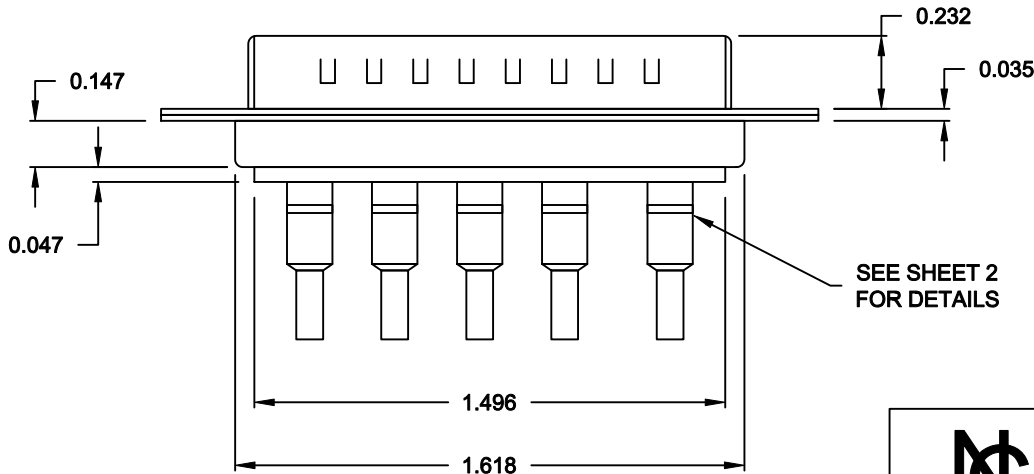
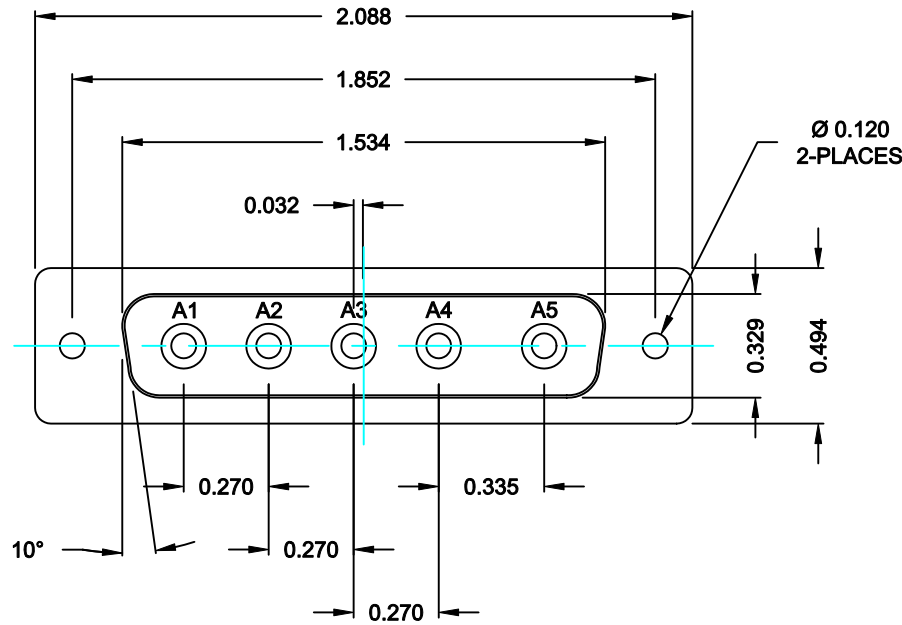
CONTACT INSERTION FORCE: 4.5 Kg Max.  
 CONTACT SEPARATOR FORCE: 0.3Kg Min.

**MATERIALS:**

CONTACTS: BRASS  
 INSULATOR: PBT UL94V-0 RATED,  
 230°C PROCESS TEMP.  
 SHELL: STEEL

**FINISH:**

SHELL: NICKEL



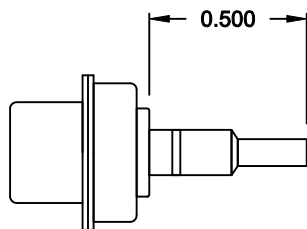
**6825W5103L001**

00 = 50 OHM COAXIAL

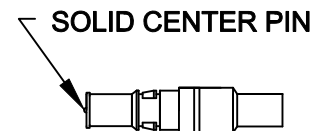
**RoHS COMPLIANT**

	THESE DRAWINGS AND SPECIFICATIONS ARE THE PROPERTY OF NorComp AND SHALL NOT BE REPRODUCED, COPIED OR USED AS THE BASIS FOR THE MANUFACTURE OF APPARATUS WITHOUT WRITTEN PERMISSION.		DRAWN: <b>C. SMITH</b>	DATE: <b>09-21-06</b>
			CHECKED: <b>X</b>	DATE: <b>X</b>
<b>NorComp</b>		SCALE: <b>N.T.S.</b>	SHEET <b>1</b>	OF <b>2</b>
		DWG NO. <b>6825W5103L001</b>		REV <b>2</b>

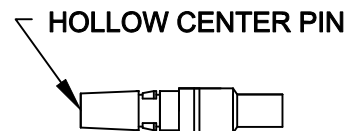
**NOTE:**  
**COAXIAL CONTACTS SUPPLIED - NOT PRE-LOADED.**



**COAXIAL CONTACT**  
**ACCEPTS 50 OHM COAX, RG316/RG174**




**FEMALE COAXIAL CONTACT**



**MALE COAXIAL CONTACT**

**RoHS COMPLIANT**

	THESE DRAWINGS AND SPECIFICATIONS ARE THE PROPERTY OF NorComp AND SHALL NOT BE REPRODUCED, COPIED OR USED AS THE BASIS FOR THE MANUFACTURE OF SALE OF APPARATUS WITHOUT WRITTEN PERMISSION.	DRAWN: <b>C. SMITH</b>	DATE: <b>09-21-06</b>	
		CHECKED: <b>X</b>	DATE: <b>X</b>	
<h1>NorComp</h1>	SCALE: <b>N.T.S.</b>	SHEET <b>2</b> OF <b>2</b>	REV <b>2</b>	
	DWG NO. <b>6825W5103L001</b>			