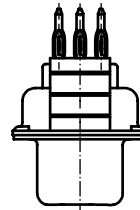
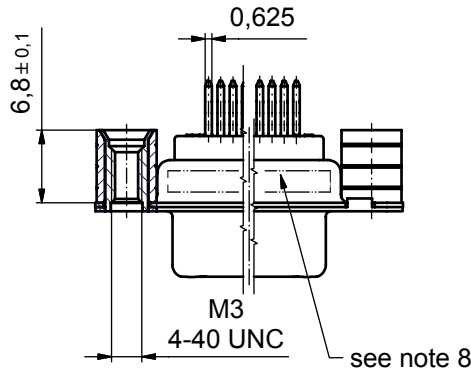
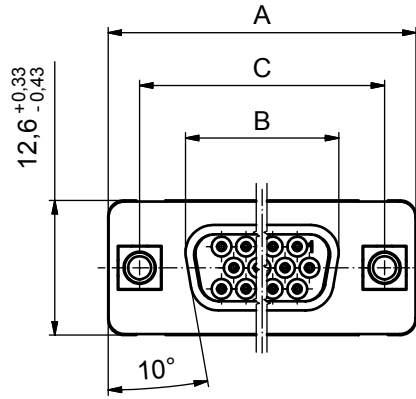
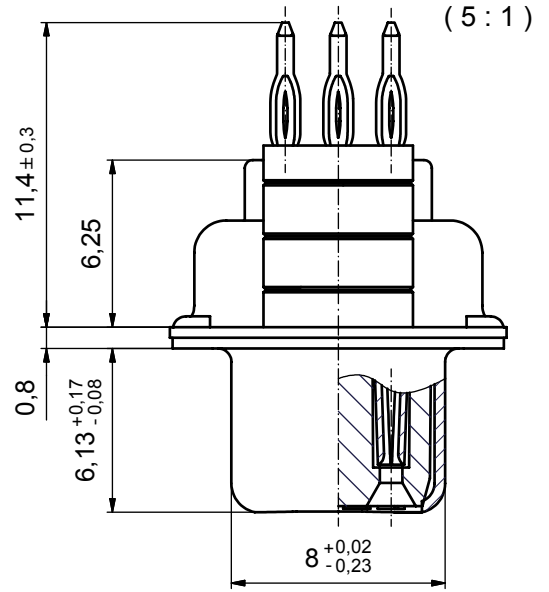


NOTES:

- METALSHELLS: STEEL; min. 315µin TIN over 40-80µin NICKEL
- INSULATORS: PBT GF UL 94 V-0, BLACK
- PRESS-FIT CONTACTS: COPPER ALLOY
PLATING MATING AREA: FLASH GOLD over NICKEL
PLATING TERMINATION AREA: 20-40µin TIN (SN 100)
P.C.B. THICKNESS: min. 1,6mm
- THREADED REAR SPACER: COPPER ALLOY; min. 200µin TIN over 80µin NICKEL
- SLEEVE: COPPER ALLOY; min. 200µin TIN over 80µin NICKEL
- P.C.B. HOLE DRILLINGS SEE SHEET 2
- MAXIMUM TORQUE VALUE FOR THREAD: 6 in.LB
- CONNECTOR IS PART MARKED: PART-NO. CONEC ABC



Polzahl No. of pos.	A	B	C	Art.-Nr. Part-No.	
				M3	4-40 UNC
15	30,88 ^{+0,31} _{-0,45}	16,41 ^{+0,05} _{-0,2}	24,99 ^{+0,13} _{-0,12}	DSH1XSGAA47X	DSH1XSGAA48X
26	39,22 ^{+0,3} _{-0,46}	24,74 ^{+0,05} _{-0,2}	33,32 ^{+0,13} _{-0,12}	DSH2XSGAA47X	DSH2XSGAA48X
44	53,09 ^{+0,33} _{-0,43}	38,51 ⁺ _{-0,26}	47,04 ± 0,13	DSH3XSGAA47X	DSH3XSGAA48X
62	69,50 ^{+0,2} _{-0,56}	54,94 ^{+0,02} _{-0,23}	63,50 ± 0,13	DSH4XSGAA47X	DSH4XSGAA48X

Directive 2002/95/EC
„RoHS“
Compliant

APPROVAL # FREIGABE # DEBLOCAGE # AUTORIZACION # APPROVAL	
CUSTOMER APPROVAL DATE:	
NAME:	TITLE:
COMPANY NAME:	
APPROVAL # FREIGABE # DEBLOCAGE # AUTORIZACION # APPROVAL	

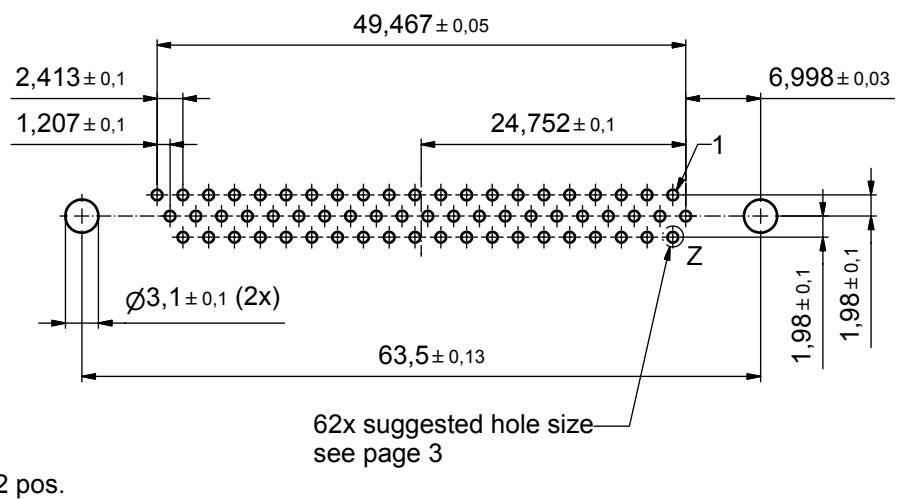
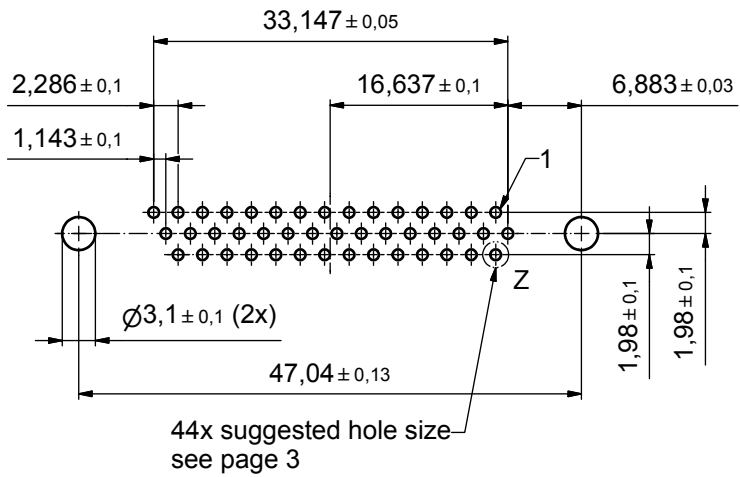
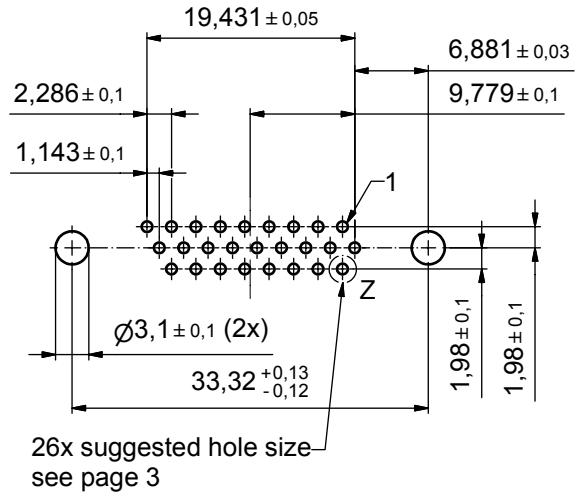
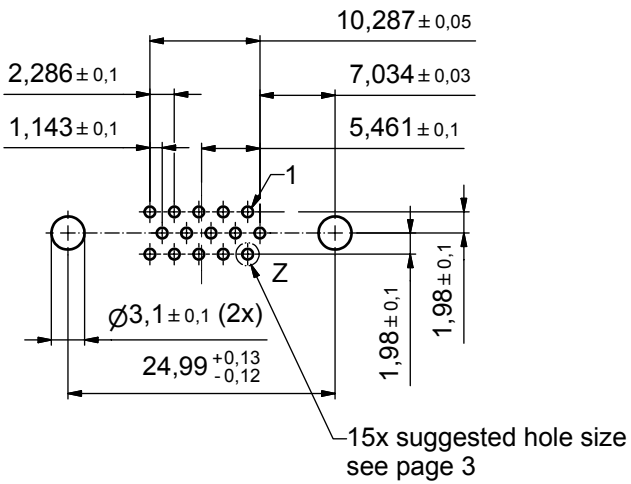
THIS DRAWING MAY NOT BE COPIED OR REPRODUCED IN ANY WAY, AND MAY NOT BE PASSED ON TO A THIRD PARTY WITHOUT WRITTEN PERMISSION. OWNERSHIP AND COPYRIGHT OF CONEC GmbH

DO NOT ALTER CAD DRAWING BY HAND

tolerance	dim. in mm	
date	name	
drawn 13.04.07	Lehmenkühler	
appd. 16.04.07	Koch	
norm		
d-old		
a	Origin	
rev.	description	date

scale:	2:1 (5:1)	
material:	see notes	
title:	D-SUB HD FEMALE 15-62pos. PRESS-FIT STRAIGHT with threaded rear spacer	
dwg no:	Inventor	DIN-A3
	16K1A2029	sh: 1
part no:	see table	





APPROVAL # FREIGABE # DEBLOCAGE # AUTORIZACION # APPROVAL	
CUSTOMER APPROVAL DATE:	
NAME:	TITLE:
COMPANY NAME:	
APPROVAL # FREIGABE # DEBLOCAGE # AUTORIZACION # APPROVAL	

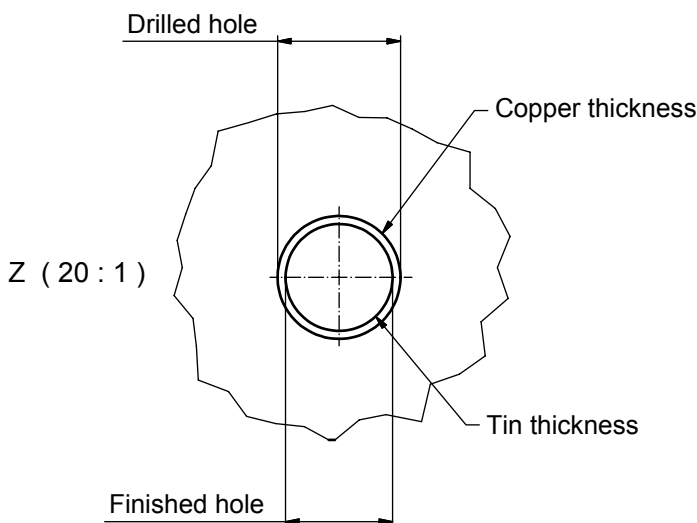
DO NOT ALTER CAD DRAWING BY HAND				tolerance		scale: 2:1
THIS DRAWING MAY NOT BE COPIED OR REPRODUCED IN ANY WAY, AND MAY NOT BE PASSED ON TO A THIRD PARTY WITHOUT WRITTEN PERMISSION. OWNERSHIP AND COPYRIGHT OF CONEC GmbH				date	name	material:
				drawn	29.06.07	Sonnenberg
				appd.	29.06.07	Koch
				norm		
				d-old		
a	Origin			CONEC [®]		
rev.	description	date	name			

title:		DIN-A3	
P.C.B. HOLE DRILLINGS		sh: 2	
D-SUB HD 15-62pos. PRESS-FIT STRAIGHT with threaded rear spacer			
dwg no:	Inventor		
	16K1A2029		
part no:	SEE SHEET 1		

**SUGGESTED PCB HOLE SIZE DIMENSIONS FOR
D-SUB HD CONNECTORS
WITH PRESS FIT TERMINATIONS**

ACCORDING IEC 60352-5

THROUGH HOLE PLATING	Signal Contact	
	NOMINAL DIAMETER	
TIN-LEAD	DRILLED HOLE	1,15 ±0,025 mm
	COPPER	min. 25µm
	TIN-LEAD	min. 15µm
	FINISHED HOLE	1,0 +0,09 -0,06mm
Galv./HAL TIN	DRILLED HOLE	1,15 ±0,025 mm
	COPPER	min. 25µm
	TIN	5-15µm
	FINISHED HOLE	1,0 +0,09 -0,06mm
CHEM. TIN	DRILLED HOLE	1,15 ±0,025 mm
	COPPER	min. 25µm
	CHEM. TIN	max. 1,5µm
	FINISHED HOLE	1,0 +0,09 -0,06mm



APPROVAL # FREIGABE # DEBLOCAGE # AUTORIZACION # APPROVAL	
CUSTOMER APPROVAL DATE:	
NAME:	TITLE:
COMPANY NAME:	
APPROVAL # FREIGABE # DEBLOCAGE # AUTORIZACION # APPROVAL	

THIS DRAWING MAY NOT BE COPIED OR REPRODUCED IN ANY WAY, AND MAY NOT BE PASSED ON TO A THIRD PARTY WITHOUT WRITTEN PERMISSION. OWNERSHIP AND COPYRIGHT OF CONEC GmbH				tolerance		 dim. in mm	scale: 20:1	
DO NOT ALTER CAD DRAWING BY HAND				date	name		material:	
				drawn	29.06.07	Sonnenberg	title:	
				appd.	29.06.07	Koch	D-SUB HD FEMALE	
				norm			15-62pos. PRESS-FIT STRAIGHT	
				d-old			with threaded rear spacer	
a	Origin					dwg no: Inventor		DIN-A3
rev.	description	date	name			16K1A2029		sh: 3
						part no: SEE SHEET 1		