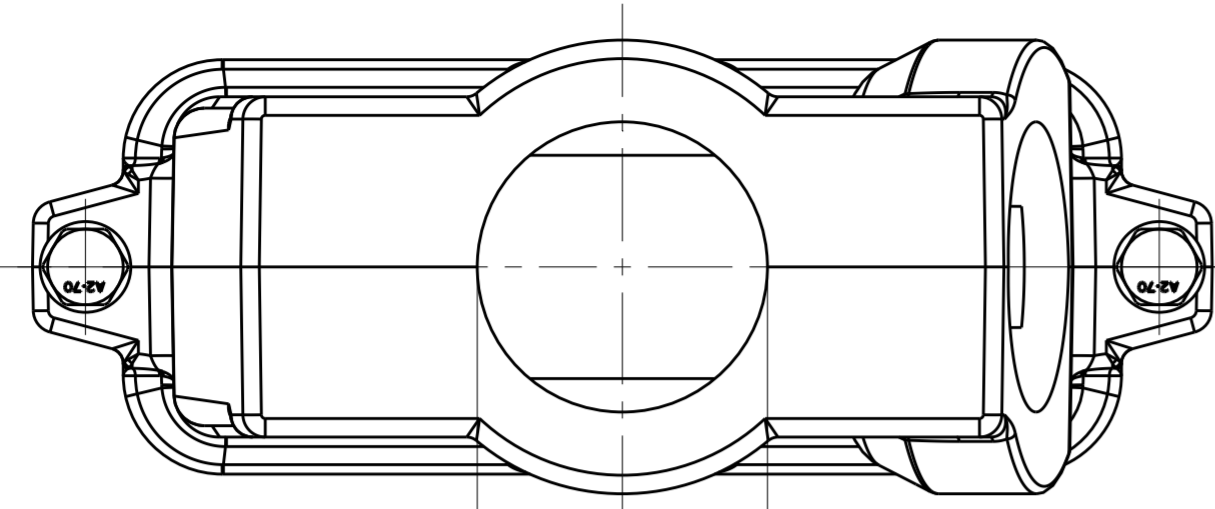


THIS DRAWING IS UNPUBLISHED. RELEASED FOR PUBLICATION 20
 © COPYRIGHT 20 BY - ALL RIGHTS RESERVED.

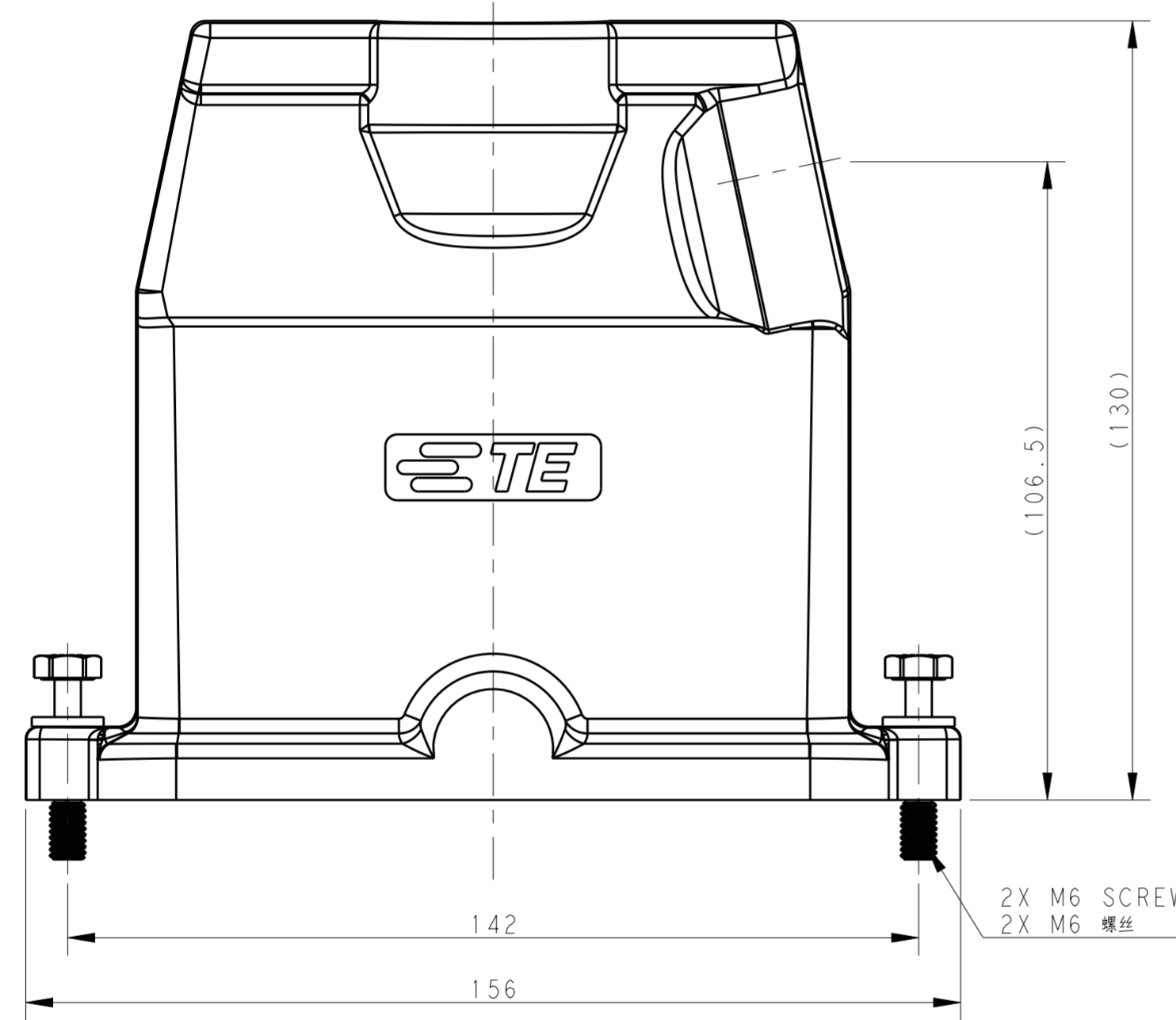
REVISIONS					
P	LTR	DESCRIPTION	DATE	DWN	APVD
	A	INITIAL RELEASE	24OCT2016	DW	CW



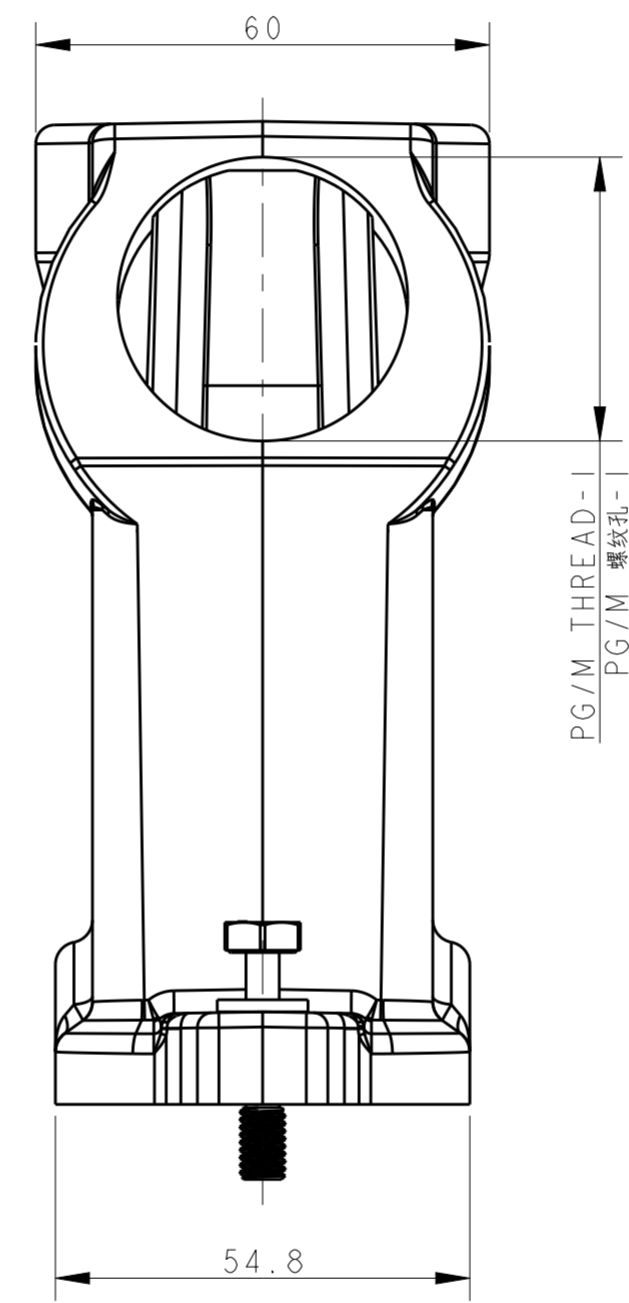
PG/M THREAD-2
PG/M 螺纹孔-2

NOTES:
 1. TECHNICAL CHARACTERISTICS:
 HOOD MATERIAL: DIE CAST ALUMINIUM ALLOY
 SURFACE: SEE TABLE
 DEGREE OF PROTECTION: IP68 (MATED)

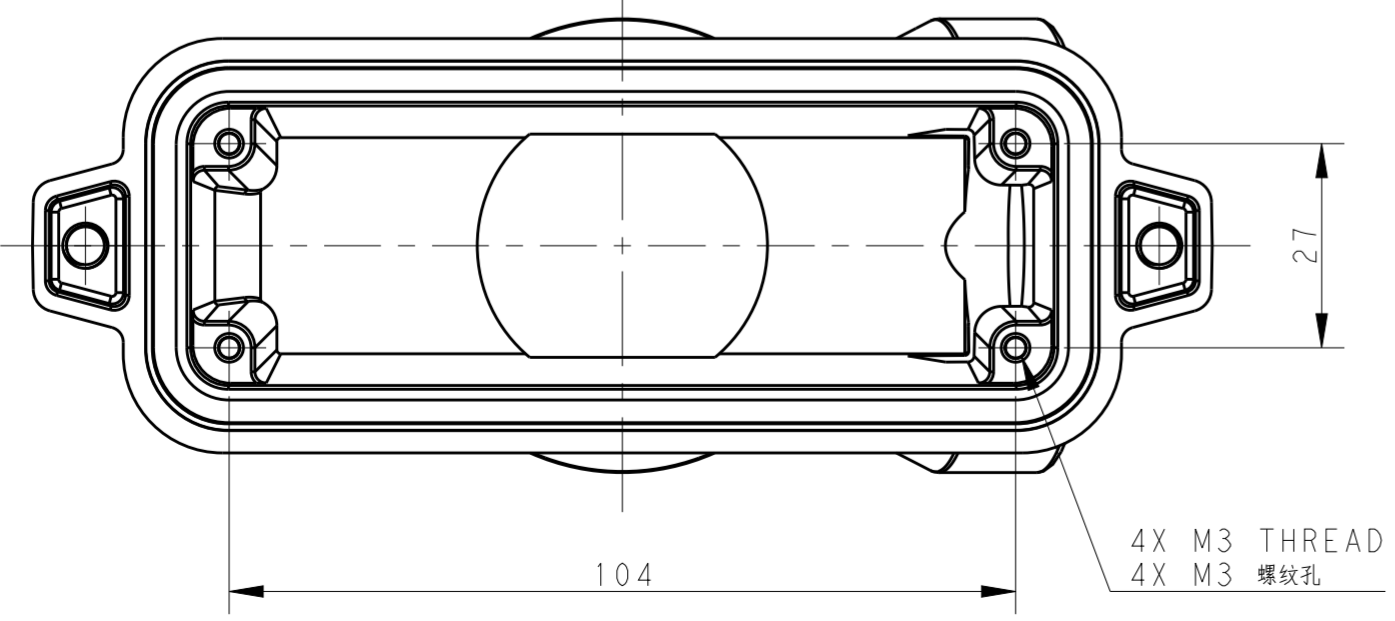
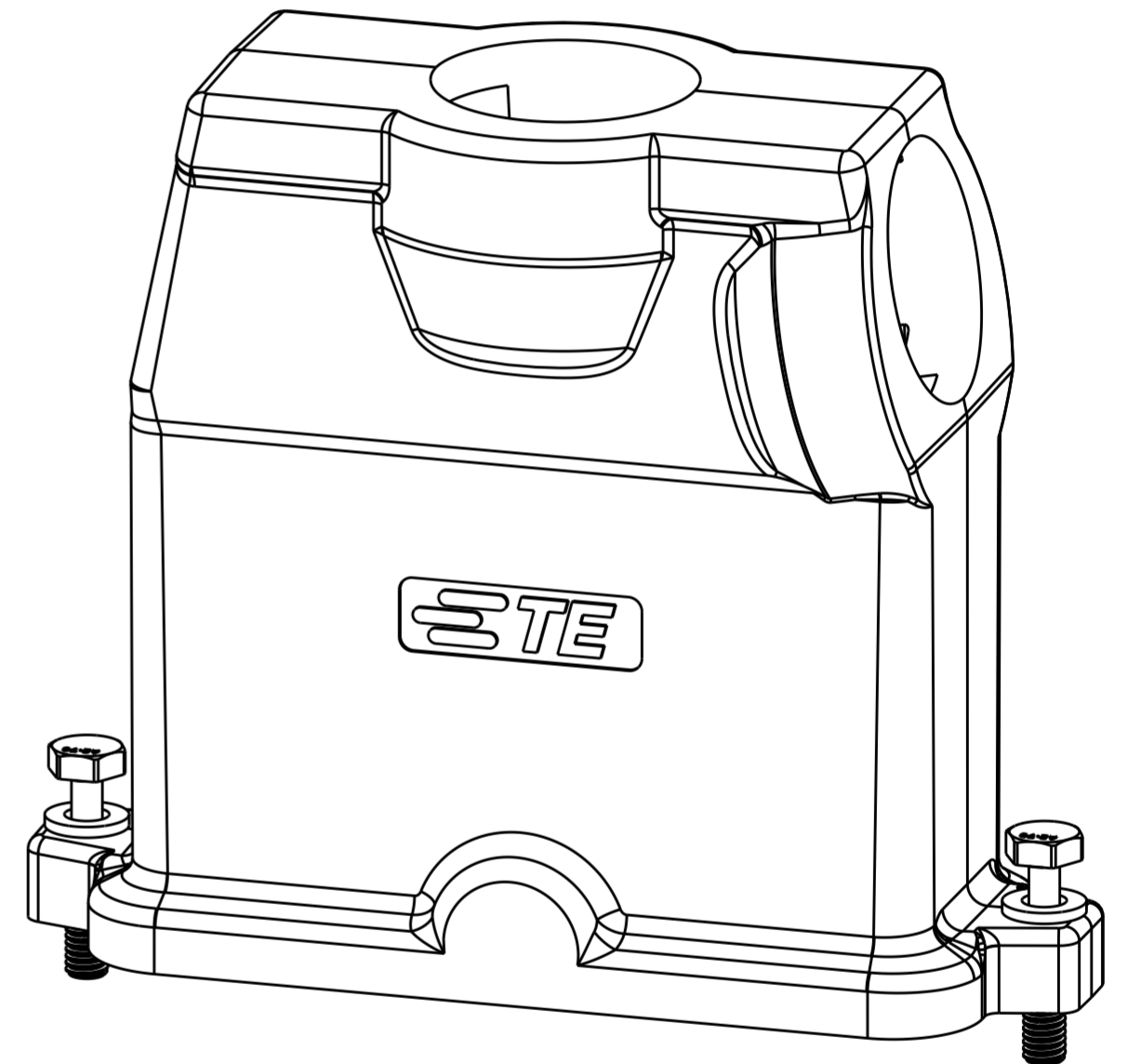
注释
 1. 技术参数:
 壳体材料: 铝合金
 表面处理: 见表格
 防护等级: IP68 (配合)



2X M6 SCREW
2X M6 螺丝



PG/M THREAD-1
PG/M 螺纹孔-1



4X M3 THREAD
4X M3 螺纹孔

THIS DRAWING IS A CONTROLLED DOCUMENT.		DWN 24OCT2016 DAVID WANG	TE Connectivity	
		CHK 24OCT2016 CHRIS WANG		
		APVD 24OCT2016 XIANG XU	NAME H24BPR-H130-TG/SHC-PG/M-EMC-C	
DIMENSIONS:		PRODUCT SPEC		
mm		108-137191		
		APPLICATION SPEC		
		114-137191		
MATERIAL		WEIGHT		
-		-		
		Customer Drawing		
TOLERANCES UNLESS OTHERWISE SPECIFIED:		RESTRICTED TO		
0 PLC	±	SIZE A2	CAGE CODE -	DRAWING NO. C-T108224XXXX009
1 PLC	±	SCALE 1:1	SHEET 1	OF 2
2 PLC	±			REV A
3 PLC	±			
4 PLC	±			
ANGLES	±			
FINISH	-			


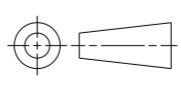
THIS DRAWING IS UNPUBLISHED. RELEASED FOR PUBLICATION 20
 © COPYRIGHT 20 BY - ALL RIGHTS RESERVED.

REVISIONS				
P	LTR	DESCRIPTION	DATE	APVD
-		SEE SHEET 1	-	-

NOTES:
SEE SHEET 1

T1082244032-009	H24BPR-H130-TG/SHC-M40/M32-EMC-C	H24BPR HIGH CONSTRUCTURE HOOD,CENTER LOCKING, TOP ENTRY M40, SIDE ENTRY M32, POWDER COATED, GREY H24BPR中部锁定高结构顶出M40, 侧出M32上壳 灰色	M40	M32
T1082243240-009	H24BPR-H130-TG/SHC-M32/M40-EMC-C	H24BPR HIGH CONSTRUCTURE HOOD,CENTER LOCKING, TOP ENTRY M32, SIDE ENTRY M40, POWDER COATED, GREY H24BPR中部锁定高结构顶出M32, 侧出M40上壳 灰色	M32	M40
T1082242240-009	H24BPR-H130-TG/SHC-2M40-EMC-C	H24BPR HIGH CONSTRUCTURE HOOD,CENTER LOCKING, TOP/SIDE ENTRY M40, POWDER COATED, GREY H24BPR中部锁定高结构顶出 / 侧出M40上壳 灰色	M40	M40
T1082242232-009	H24BPR-H130-TG/SHC-2M32-EMC-C	H24BPR HIGH CONSTRUCTURE HOOD,CENTER LOCKING, TOP/SIDE ENTRY M32, POWDER COATED, GREY H24BPR中部锁定高结构顶出 / 侧出M32上壳 灰色	M32	M32
T1082241240-009	H24BPR-H130-TG/SHC-2M40-EMC-C	H24BPR HIGH CONSTRUCTURE HOOD,CENTER LOCKING, TOP/SIDE ENTRY M40, POWDER COATED, SILVER WHITE H24BPR中部锁定高结构顶出 / 侧出M40上壳 银白色	M40	M40
T1082241232-009	H24BPR-H130-TG/SHC-2M32-EMC-C	H24BPR HIGH CONSTRUCTURE HOOD,CENTER LOCKING, TOP/SIDE ENTRY M32, POWDER COATED, SILVER WHITE H24BPR中部锁定高结构顶出 / 侧出M32上壳 银白色	M32	M32
T1082244032-109	H24BPR-H130-TG/SHC-M40/M32-EMC-C	H24BPR HIGH CONSTRUCTURE HOOD,CENTER LOCKING, TOP ENTRY M40, SIDE ENTRY M32, POWDER COATED, BLACK H24BPR中部锁定高结构顶出M40, 侧出M32上壳 黑色	M40	M32
T1082243240-109	H24BPR-H130-TG/SHC-M32/M40-EMC-C	H24BPR HIGH CONSTRUCTURE HOOD,CENTER LOCKING, TOP ENTRY M32, SIDE ENTRY M40, POWDER COATED, BLACK H24BPR中部锁定高结构顶出M32, 侧出M40上壳 黑色	M32	M40
T1082240240-009	H24BPR-H130-TG/SHC-2M40-EMC-C	H24BPR HIGH CONSTRUCTURE HOOD,CENTER LOCKING, TOP/SIDE ENTRY M40, POWDER COATED, BLACK H24BPR中部锁定高结构顶出 / 侧出M40上壳 黑色	M40	M40
T1082240232-009	H24BPR-H130-TG/SHC-2M32-EMC-C	H24BPR HIGH CONSTRUCTURE HOOD,CENTER LOCKING, TOP/SIDE ENTRY M32, POWDER COATED, BLACK H24BPR中部锁定高结构顶出 / 侧出M32上壳 黑色	M32	M32
PART NUMBER 料号	DESCRIPTION 描述		PG/M THREAD-2 PG/M 螺纹-2	PG/M THREAD-1 PG/M 螺纹-1

THIS DRAWING IS A CONTROLLED DOCUMENT.

DIMENSIONS: mm	TOLERANCES UNLESS OTHERWISE SPECIFIED: 0 PLC ± 1 PLC ± 2 PLC ± 3 PLC ± 4 PLC ± ANGLES ± FINISH	DWN DAVID WANG 24OCT2016 CHK CHRIS WANG 24OCT2016 APVD XIANG XU 24OCT2016	 TE Connectivity	
		PRODUCT SPEC 108-137191	NAME H24BPR-H130-TG/SHC-PG/M-EMC-C	
MATERIAL -		APPLICATION SPEC 114-137191	SIZE A2	CAGE CODE -
		WEIGHT -	DRAWING NO G-T108224XXXX009	RESTRICTED TO -
		Customer Drawing	SCALE 1:1	SHEET 2 OF 2