

# Customer Information Sheet

DRAWING No.: M80-701XXXX

SHEET 2 OF 2

IF IN DOUBT - ASK

©

NOT TO SCALE

THIRD ANGLE PROJECTION

ALL DIMENSIONS IN mm

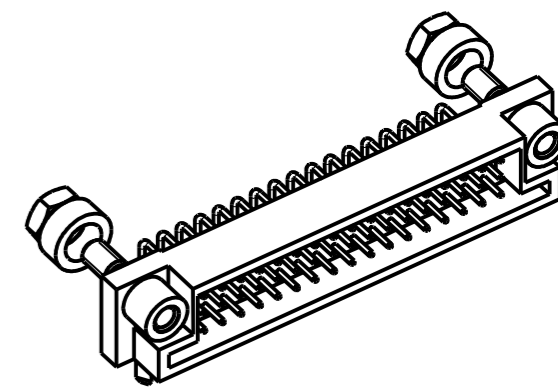
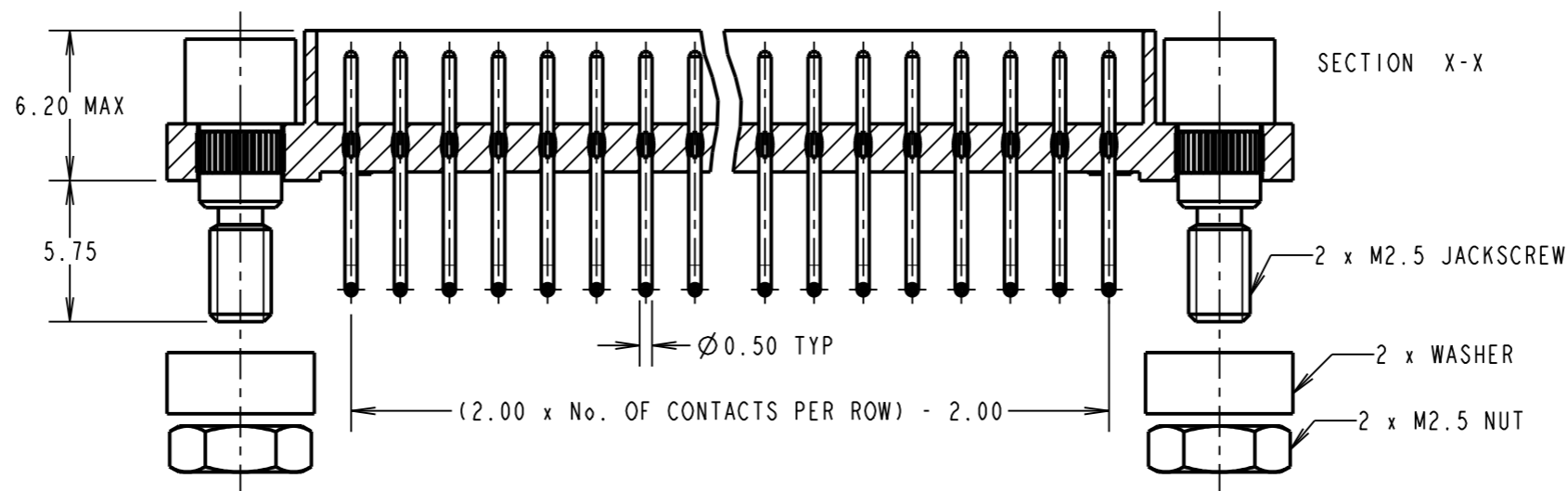
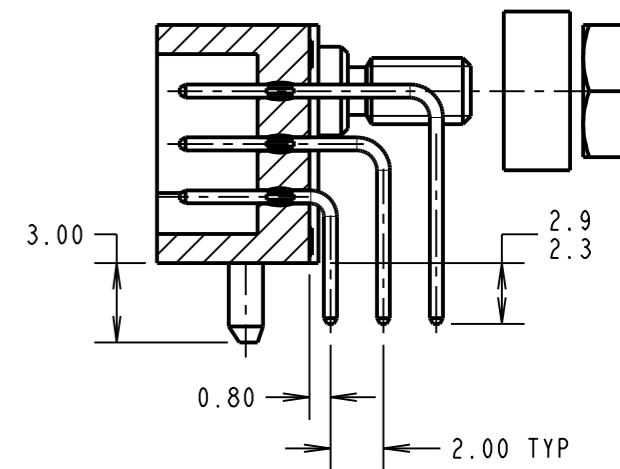
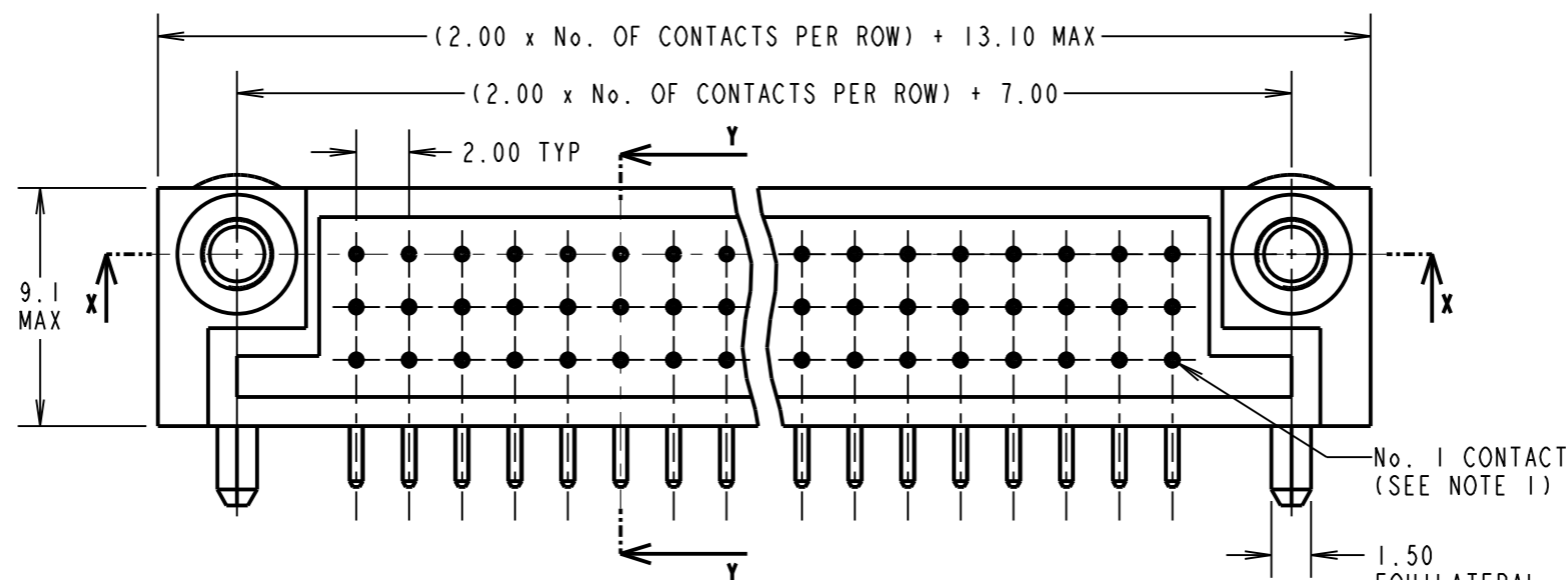
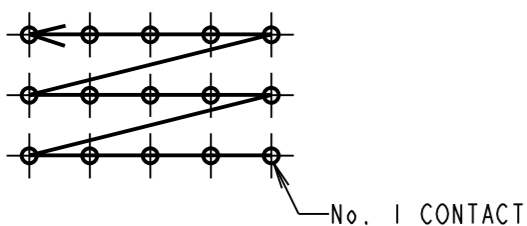
ORDER CODE:

**M80-701XXXX**

TOTAL No. OF CONTACTS:  
27, 36, 45, 51, 63

FINISH:  
05 = GOLD  
22 = GOLD + TIN/LEAD  
42 = GOLD + 100% TIN

NOTES:  
1. FROM No. 1 POSITION, CONTACTS NUMBERED IN SEQUENCE FROM RIGHT TO LEFT AND FROM BOTTOM ROW TO TOP ROW (SEE BELOW).



**SPECIFICATION:**

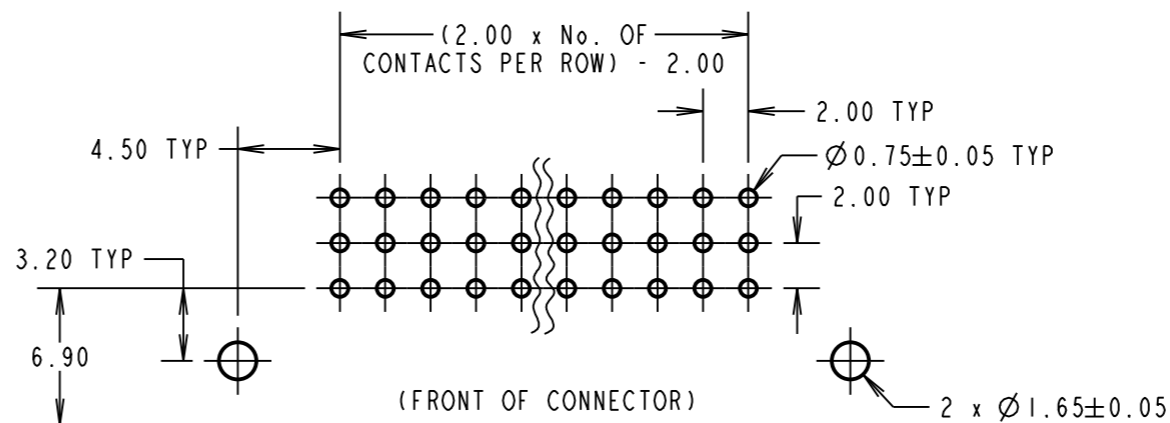
**MATERIAL:**  
MOULDING = POLYAMIDE 46 UL94V-0, BLACK  
CONTACT = PHOSPHOR BRONZE  
JACKSCREWS = STAINLESS STEEL  
**FINISH (ALL OVER NICKEL):**  
05 = 0.25 - 0.3µ GOLD  
22 = 0.75µ GOLD ON CONTACT AREA,  
3.0µ 90/10 TIN/LEAD ON TAILS  
42 = 0.75µ GOLD ON CONTACT AREA,  
3.0µ 100% TIN ON TAILS

**ELECTRICAL:**  
CURRENT RATING AT 25°C = 3.0A MAX  
CURRENT RATING AT 85°C = 2.2A MAX  
VOLTAGE PROOF = 360V AC/DC  
CONTACT RESISTANCE (INITIAL) = 20mΩ MAX  
(AFTER CONDITIONING) = 25mΩ MAX  
INSULATION RESISTANCE (INITIAL) = 1,000MΩ MIN  
(AFTER CONDITIONING) = 100MΩ MIN

**MECHANICAL:**  
DURABILITY = 500 OPERATIONS  
MAXIMUM INSERTION FORCE = No. OF CONTACTS x 2.8N  
MAXIMUM WITHDRAWAL FORCE = No. OF CONTACTS x 1.8N  
MINIMUM WITHDRAWAL FORCE = No. OF CONTACTS x 0.2N

**ENVIRONMENTAL:**  
TEMPERATURE RANGE = -55°C TO +125°C  
**PACKING:**  
TRAYS

FOR COMPLETE SPECIFICATION, SEE COMPONENT SPECIFICATION C017XX (LATEST ISSUE)



RECOMMENDED PCB LAYOUT

MSP	9	26.05.15	12829
NAME	ISS.	DATE	C/NOTE
APPROVED: M.PERREN			
CHECKED: S.BENNETT			
DRAWN: I.SANDY			
CUSTOMER REF.:			
ASSEMBLY DRG:			

**HARWIN**

www.harwin.com  
technical@harwin.com

THIS DRAWING AND ANY INFORMATION OR DESCRIPTIVE MATTER SET OUT HEREON ARE CONFIDENTIAL AND COPYRIGHT PROPERTY OF THE HARWIN GROUP AND MUST NOT BE DISCLOSED, LOANED, COPIED OR USED FOR MANUFACTURING, TENDERING OR FOR ANY OTHER PURPOSE WITHOUT THEIR WRITTEN PERMISSION.

**TOLERANCES**

X. = ±1mm  
X.X = ±0.50mm  
X.XX = ±0.10mm  
X.XXX = ±0.01mm  
ANGLES = ±5°  
UNLESS STATED

**MATERIAL:**

SEE ABOVE

FINISH: SEE TABLE

S/AREA:

mm<sup>2</sup>

TITLE: DATAMATE J-TEK  
3-ROW MALE HORIZ. PC TAIL  
ASSEMBLY WITH JACKSCREWS

DRAWING NUMBER:

**M80-701XXXX**

SHT  
2 OF 2